



C1SL48
with compressor right,
black vinyl-clad doors,
and stainless top



Intertek
EP 5016978
Energy Performance
Verified / Rendement
Énergétique Vérifié



Intertek
4004503
Conforms to NSF/ANSI STD 7
and UL STD 471
Certified to CSA STD C22.2 No. 120
Listed to NSF Standard 7
for open food as a storage refrigerator



Intertek

Standard Features

- Locking door(s)
- LED interior lighting
- Heated mullion to minimize condensation
- Any door opening may be converted to a drawer section
- Available without a finished top for integrated installation below customer supplied bar top
- 180° swinging door

Specifications

Electrical

- 120V, 1 phase, 60 Hz
- Full load amps - 2.75
- Dedicated 15 amp circuit is required
- Includes a 6 foot NEMA 5-15P grounded cord and plug which exits the back of refrigeration compartment

Refrigeration

- R290 - 105 grams
- Compressor - 1/8 HP
- Heat rejection - 1126 BTU/Hr

Operating Range

- 34°F (1°C) to 40°F (4°C)

Plumbing

- Automatic condensate evaporator. No drain connection required.
- Optional drainboard top - 1/2" ID line stubs out behind the compressor compartment. Field connections must be made at that point.



5-15P

Project: _____	AIA# _____
Item #: _____ Qty: _____	SIS# _____
Model #: _____	

Coolers, One Zone, Side Serviced, Low Profile

C1SL24, C1SL28, C1SL36, C1SL44, C1SL48

C1SL Configurable Options

Temperature:

- Beer/Food - 34°F to 40°F
- White wine - 50°F to 55°F
- Red wine - 60°F to 65°F

Refrigeration Compartment

Location:

- Left or Right

Refrigeration Compartment

Cover Finish:

- Black vinyl-clad
- Stainless steel
- Jeweled stainless

Door/Drawer Style & Finish:

- Door - Black vinyl-clad
- Door - Unlaminated
- Door - Stainless steel
- Door - Jeweled stainless
- Door - Laminated
- Door - Glass, black vinyl-clad
- Door - Glass, stainless steel
- Door - Glass, jeweled stainless
- Door - Glass, laminated
- Drawers - Black vinyl-clad
- Drawers - Unlaminated
- Drawers - Stainless steel
- Drawers - Jeweled stainless
- Drawers - Laminated

Door Hinge Location (specify for each door):

- Left or Right

Door Handle:

(Note: drawers come with a stainless pull tab handle)

- Polished stainless
- Polished brass
- Stainless pull tab

Top Style:

- No finished top
- Stainless top
- Laminated top
- Drainboard top

Left and Right Side Finish:

- Black vinyl-clad
- Stainless steel
- Laminated

Back Finish:

- Galvanized steel
- Stainless steel

LED Lighting Style:

- Bright white (7,000k)
- Warm white (3,500k)
- Amber (2,700k)
- Blue

See our Product Directory for a complete list of cooler accessories.

Glastender, Inc. • 5400 N Michigan Rd • Saginaw, MI • 48604-9780
989.752.4275 • 800.748.0423 • Fax 989.752.4444
www.glastender.com

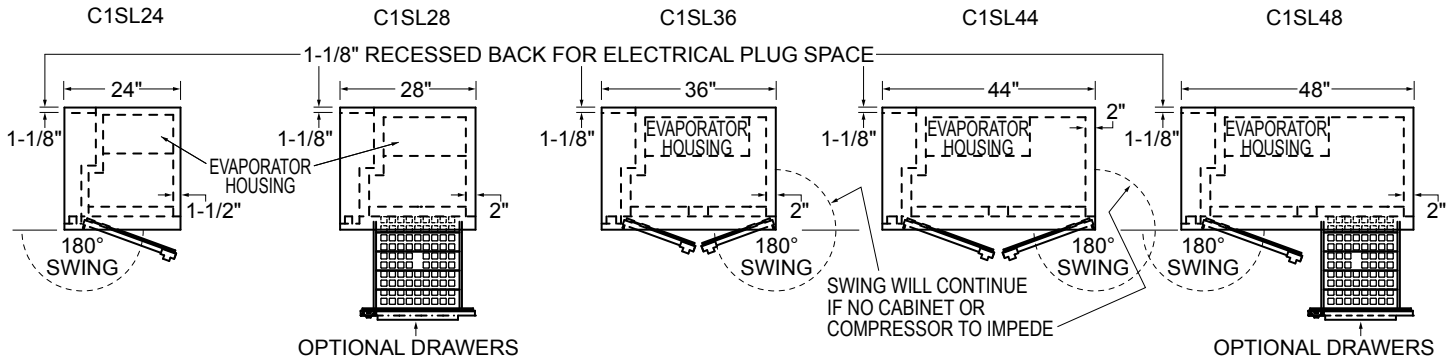
Approval/Notes:

Specifications subject to change without notice. For current specifications please visit our website.

Coolers - One Zone, Side Serviced, Low Profile

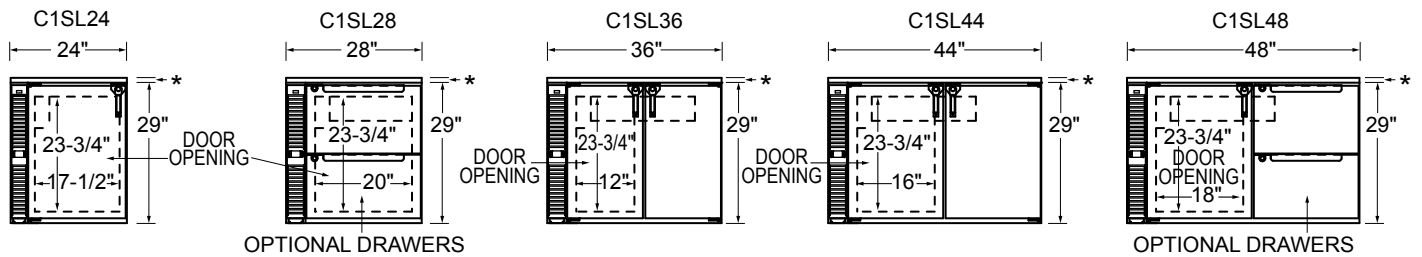
Dimensional Information

PLAN VIEWS



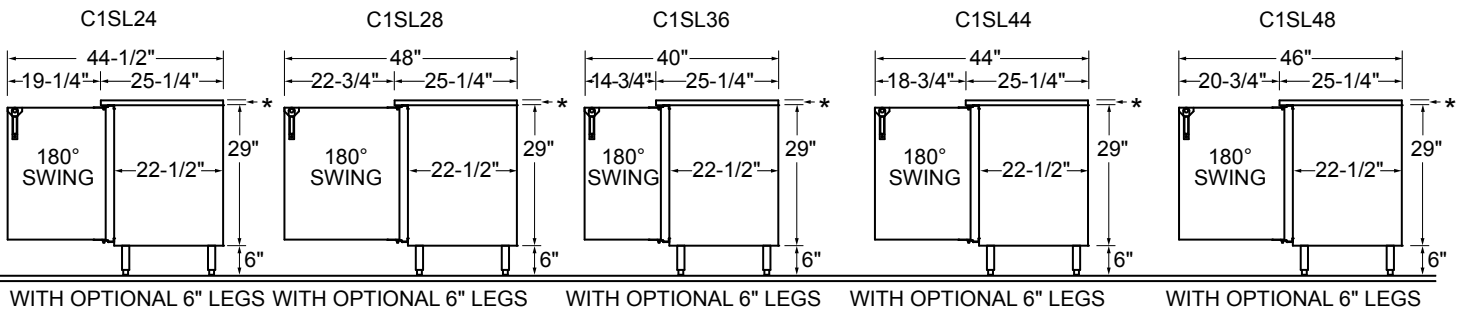
FRONT VIEWS

*ADD 1" HEIGHT TO TOP FOR FACTORY INSTALLED TOP



SIDE VIEWS

*ADD 1" HEIGHT TO TOP FOR FACTORY INSTALLED TOP



Note: Available with compressor left or right. Compressor left model shown.

Model	DOORS	Capacities	
		12 oz. bottles, cases	750ml wine bottles*
C1SL24	1	4.5	30
C1SL28	1	5.1	36
C1SL36	2	6.9	53
C1SL44	2	8.9	66
C1SL48	2	10.3	77

*Wine bottle capacity is based on shelves. Drawers are not intended for upright storage of wine bottles.

SIDE VIEWS

