



Profit from the Eagle Advantage®

Foodservice Division: (800) 441-8440

MHC/Retail Display Divisions: (800) 637-5100

FAX: (302) 653-2065

# Product Announcement

## Short Form Specifications

Eagle Printer Shelf, model \_\_\_\_\_. Constructed of 16 gauge type 430 stainless steel. Available in standard or slanted design. Flat shelves feature square edge with return. Slanted shelves feature upturn edge.

Item #:	_____
Model #:	_____
Project #:	_____
SIS #:	_____

EG8193 Rev. 11/18



## Printer Shelves

### Wall Mounted

*Ideal for locating a label printer in the commercial kitchen, work center... anywhere in which a printer is critical to meet the industry demands for functionality.*

### Design and Construction Features

- Space-saver printer label shelf features heavy gauge stainless steel construction.
- Hole with black rubber grommet, located toward the rear of shelf for cords.
- Heavy gauge stainless steel polished to #4 finish.
- Four mounting holes\* provided.
- 7" and 9" (178 and 229mm) widths available.
- Available in standard or slanted design.
- Custom sizes available.

\* Wall mounting hardware not included.

For custom configuration or fabrication needs, contact our **SpecFAB® Division**.  
Phone: (302) 653-3000. FAX: (302) 653-2065.  
E-mail: quotes@eaglegrp.com



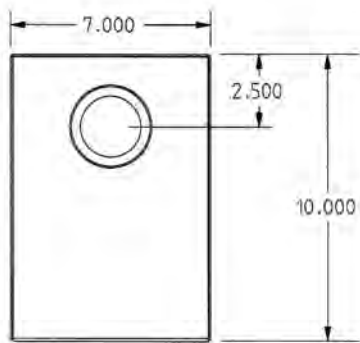
#MWS0912-PS



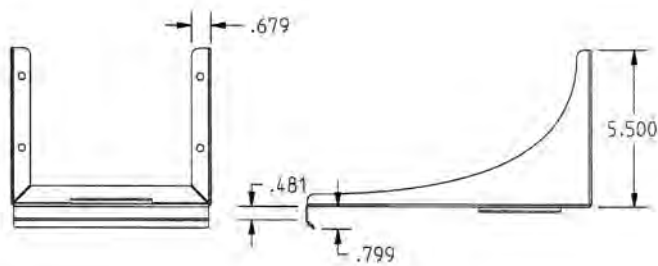
#MWS0912-SPS

# Printer Shelves

## Models with standard design...



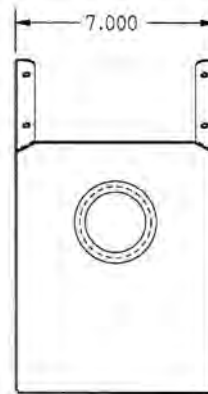
TOP VIEW



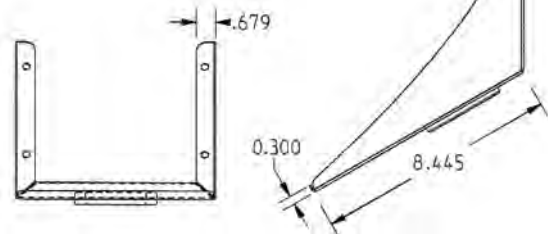
FRONT VIEW

SIDE VIEW

## ...or with slanted design



TOP VIEW



FRONT VIEW

SIDE VIEW

("MWS0710" units shown)

width		length		weight		with Standard Design		with Slanted Design	
in.	mm	in.	mm	lbs.	kg	model #	list	model #	list
7"	177.8	10"	254.0	2.48	1.22	MWS0710-PS		MWS0710-SPS	
9"	228.6	12"	304.8	2.80	1.27	MWS0912-PS		MWS0912-SPS	