

| | |
|--------------------------|------------|
| Project: _____ | AIA# _____ |
| Item #: _____ Qty: _____ | SIS# _____ |
| Model #: _____ | |

Soda Manifold Housings

C-SMHA-4, C-SMHA-6, C-SMHB-4, C-SMHB-6



C-SMHA-6

Standard Features

- Stainless steel construction
- Designed to house the manifold of Wunder-Bar® or Schroeder America™ 8 to 14 button soda guns
- Once installed, the top of the housing is 34" high
- Top cover is removable for access to the soda manifold
- Eliminates the need for tubing bundles above the work surface
- Mounts to an adjacent piece of Choice underbar (there is no provision for leg mounting)
- The soda gun drip cup supplied by the soda gun manufacturer mounts to the underside of your bar top



Intertek
4004503
Conforms to ANS/NSF STD 2



C-SMHA-6 with top cover removed and soda manifold installed.

Specifications

Materials

- 20 gauge stainless steel parts include: all components unless otherwise noted

To view cleaning and care instructions, please visit:
http://www.glastender.com/PDF/choice_ss_clean_care.pdf

Glastender, Inc. • 5400 North Michigan Road • Saginaw, MI • 48604-9780
989.752.4275 • 800.748.0423 • Fax 989.752.4444
www.glastender.com

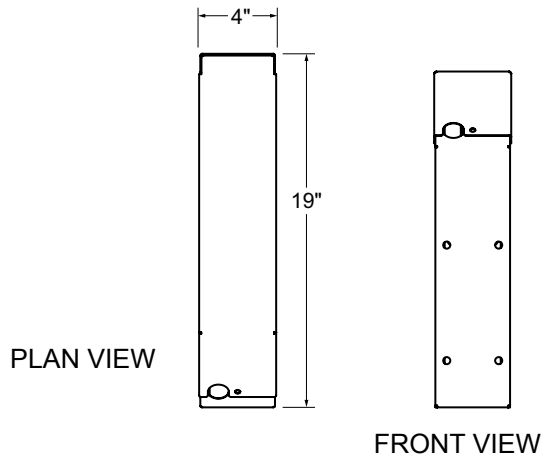
Approval/Notes:

Specifications subject to change without notice. For current specifications please visit our website.

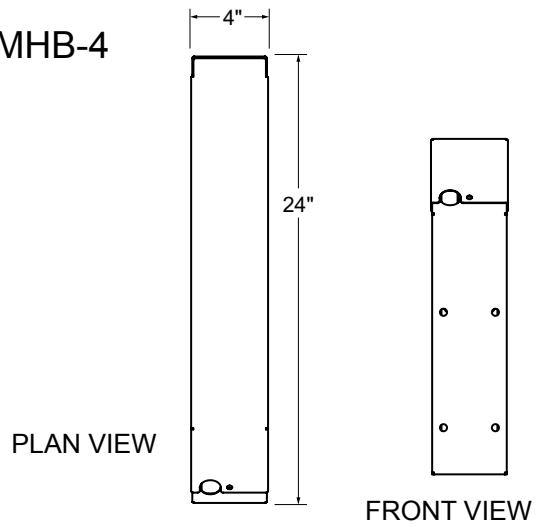
Choice Soda Manifold Housings

Dimensional Information

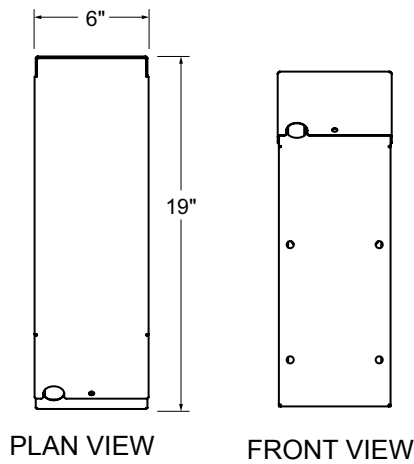
C-SMHA-4



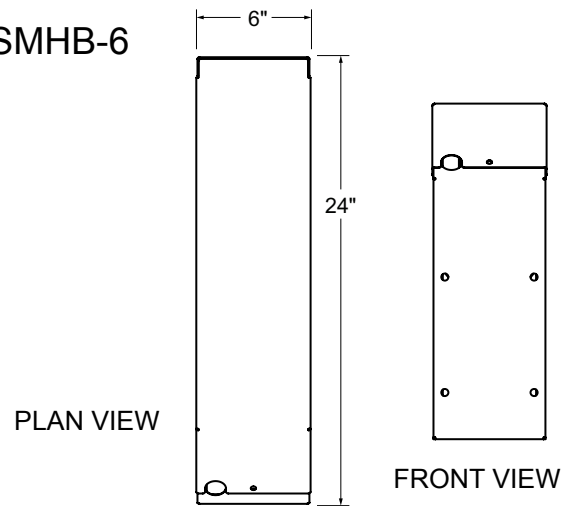
C-SMHB-4



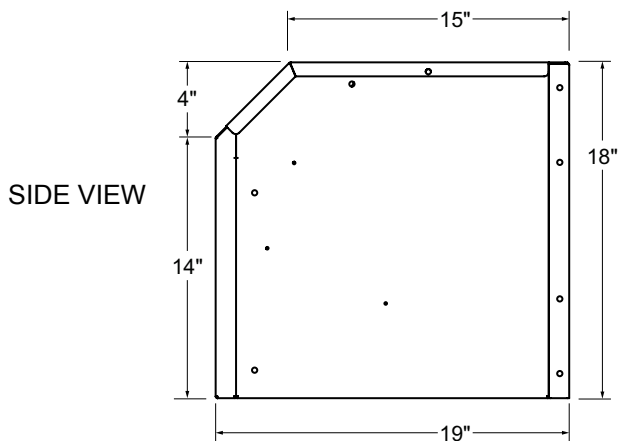
C-SMHA-6



C-SMHB-6



C-SMHA-4 & C-SMHA-6



C-SMHB-4 & C-SMHB-6

