



# PRESTIGE Signature Series

## 90° CORNER DRAINBOARDS



### FEATURES:

- Free-standing Corner Drainboard
- 7" High X 1-3/4" Thick Backsplash.
- Removable perforated drainboard top
- Includes stainless steel legs with adjustable stainless steel bullet feet.

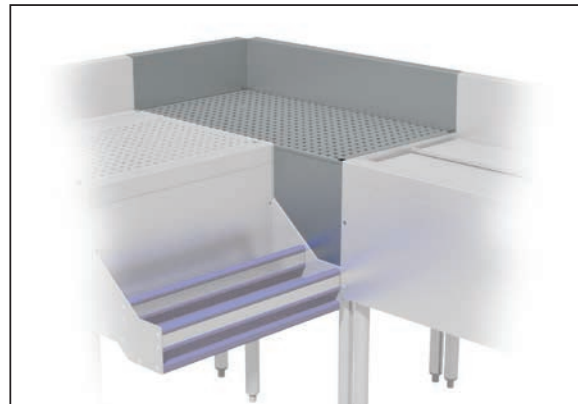
### MECHANICAL:

- 1" IPS drain.
- Removable perforated drainboard top

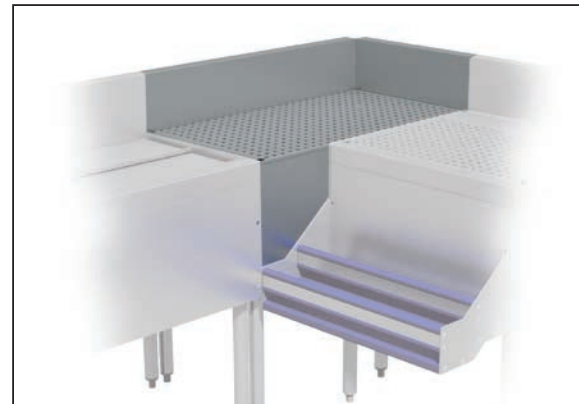
### MATERIAL:

- 20 gauge, 300 stainless steel
- Drainboard:** 18 gauge, 300 stainless steel

Item #: \_\_\_\_\_ Qty #: \_\_\_\_\_  
 Model #: \_\_\_\_\_  
 Project #: \_\_\_\_\_

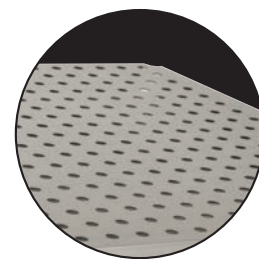


PRFD-3020

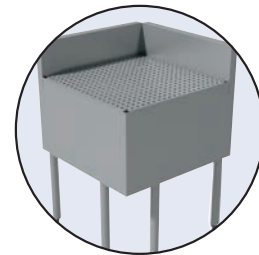


PRFD-2030

Model #	Size* (L) x (W)	Drain Location (A) x (B)	Approx. Weight	Approx. Cu. Ft.
PRFD-2020	20" x 20"	9 1/4" x 10 7/8"	68 lbs.	7
PRFD-2025	20" x 25"	9 1/4" x 13 3/8"	72 lbs.	12
PRFD-2030	20" x 30"	9 1/4" x 15 7/8"	78 lbs.	16
PRFD-2035	20" x 35"	9 1/4" x 18 3/8"	82 lbs.	16
PRFD-2520	25" x 20"	11 3/4" x 10 7/8"	69 lbs.	7
PRFD-2525	25" x 25"	11 3/4" x 13 3/8"	73 lbs.	12
PRFD-2530	25" x 30"	11 3/4" x 15 7/8"	79 lbs.	16
PRFD-2535	25" x 35"	11 3/4" x 18 3/8"	83 lbs.	16
PRFD-3020	30" x 20"	14 1/4" x 10 7/8"	78 lbs.	7
PRFD-3025	30" x 25"	14 1/4" x 13 3/8"	79 lbs.	12
PRFD-3030	30" x 30"	14 1/4" x 15 7/8"	82 lbs.	16
PRFD-3035	30" x 35"	14 1/4" x 18 3/8"	86 lbs.	16
PRFD-3520	35" x 20"	16 3/4" x 10 7/8"	82 lbs.	16
PRFD-3525	35" x 25"	16 3/4" x 13 3/8"	83 lbs.	16
PRFD-3530	35" x 30"	16 3/4" x 15 7/8"	86 lbs.	16
PRFD-3535	35" x 35"	16 3/4" x 18 3/8"	90 lbs.	16



Features Removable Perforated Drainboard Top



Includes Stainless Steel Legs w/ Adjustable Stainless Steel Bullet Feet

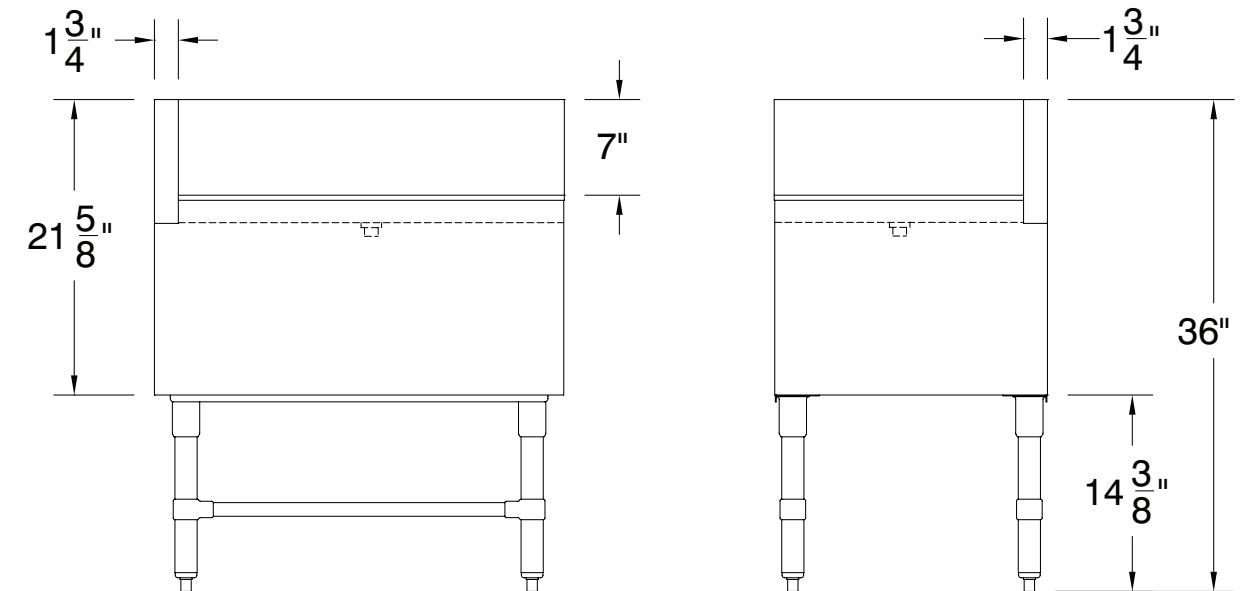
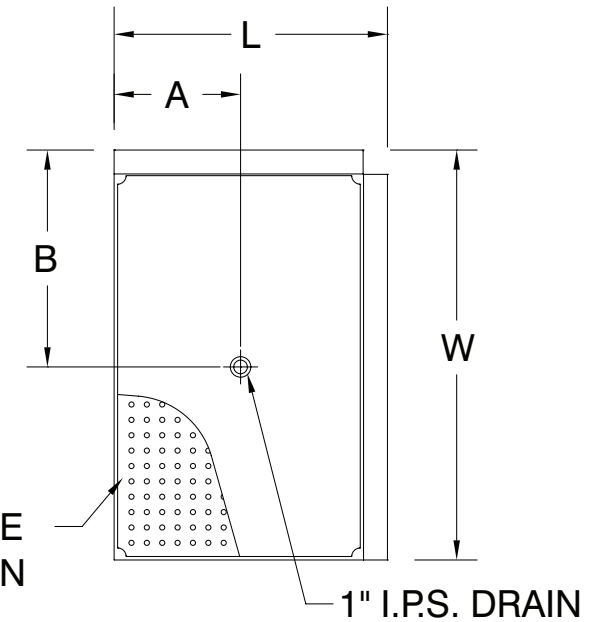
\* "L" represents the distance on the left side from the back wall until the front edge of the left unit.  
 "W" represents the distance on the right side from the back wall until the front edge of the right unit.

## DIMENSIONS and SPECIFICATIONS

TOL Overall: ± .500" Interior: ± .250"

ALL DIMENSIONS ARE TYPICAL

### PRFD Series



**PLEASE NOTE: FILLERS BUILT TO ORDER & CAN NOT BE RETURNED** CUSTOM SIZES AVAILABLE - Consult Factory For Details



Customer Service Available To Assist You **1-800-645-3166** 8:30 am - 8:00 pm E.S.T.

For Orders & Customer Service:  
 Email: [customer@advancetabco.com](mailto:customer@advancetabco.com) or Fax: 631-242-6900

For Smart Fabrication™ Quotes:  
 Email: [smartfab@advancetabco.com](mailto:smartfab@advancetabco.com) or Fax: 631-586-2933

