



## SELF-CONTAINED NARROW DOOR REFRIGERATOR

1-, 2-, 3- AND 4-DOOR



BBSN72 shown



**eco friendly**  
R290 Hydrocarbon Refrigerant



NSF/ANSI Standard 7 Listed for open food storage.

*Note: Models furnished with wine temperature are listed for the storage and display of bottled and canned products only.*

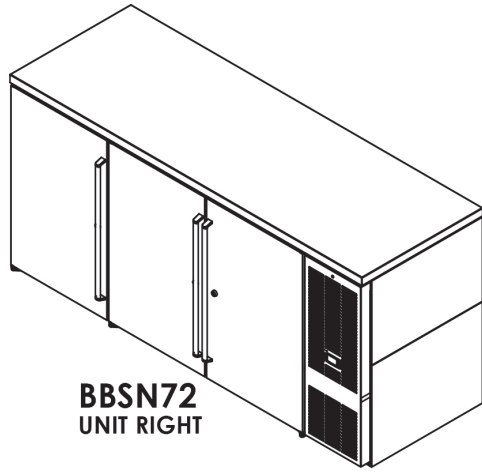
JOB	
AREA	
ITEM NO.	
MODEL NO.	
BBSN32	1-Door Model
BBSN52	2-Door Model
BBSN72	3-Door Model
BBSN92	4-Door Model

MODEL NUMBERS		BBSN32	BBSN52	BBSN72	BBSN92
<b>NUMBER OF DOORS</b>		1	2	3	4
<b>EXTERIOR CABINET DIMENSIONS</b>	Length - in. (mm)	32 (813)	52 (1321)	72 (1829)	92 (2337)
	Depth - in. (mm)	24¾ (629)	24¾ (629)	24¾ (629)	24¾ (629)
	Height - in. (mm)	34¾ (878)	34¾ (878)	34¾ (878)	34¾ (878)
<b>INTERIOR CABINET DIMENSIONS</b>	Length - in. (mm)	16¾ (418)	36¾ (926)	56¾ (1434)	76¾ (1942)
	Depth - in. (mm)	18¾ (476)	18¾ (476)	18¾ (476)	18¾ (476)
	Height - in. (mm)	31 (787)	31 (787)	31 (787)	31 (787)
<b>INTERNAL VOLUME Net. Cu. Ft. (Litres)</b>		6.0 (170)	13.3 (377)	20.6 (583)	27.8 (787)
<b>PRODUCT CAPACITY</b>	CASE PACKED - 12 OZ. BOTTLE/CAN	161/238	329/483	518/763	707/1043
	STAGGERED - 12 OZ. BOTTLE/CAN	173/255	354/517	565/819	765/1121
<b>SHIPPING WEIGHT Lbs. (kg.)</b>		248# (112kg)	344# (156kg)	446# (202kg)	577# (262kg)
<b>ELECTRICAL SPECIFICATIONS</b>	<b>Electrical Supply</b>	120 VAC/60 Hz/1 Ph	120 VAC/60 Hz/1 Ph	120 VAC/60 Hz/1 Ph	120 VAC/60 Hz/1 Ph
	<b>Running Load Amps</b>	1.8	2.5	4.2	4.2
	<b>Electrical Connection</b>	Cord connected	Cord connected	Cord connected	Cord connected
	<b>Cord Plug Type</b>	NEMA 5-15	NEMA 5-15	NEMA 5-15	NEMA 5-15
	<b>Cord Length</b>	8'	8'	8'	8'
	<b>Defrost Initiation</b>	Automatic	Automatic	Automatic	Automatic
	<b>Defrost Type</b>	Off cycle	Off cycle	Off cycle	Off cycle
	<b>Thermostat</b>	Digital control	Digital control	Digital control	Digital control
	<b>Lighting Type</b>	LED	LED	LED	LED
<b>REFRIGERATION SPECIFICATIONS</b>	<b>Horsepower</b>	1/6	1/5	1/4	1/4
	<b>Refrigerant</b>	R290	R290	R290	R290
	<b>Refrigerant Charge (grams)</b>	90	100	90	90
	<b>Factory Temperature Setting - Refrigerator F (C)</b>	38° (3.3°)	38° (3.3°)	38° (3.3°)	38° (3.3°)
	<b>Temperature Range - Refrigerator F (C)</b>	33°-40° (0.5°-4.5°)	33°-40° (0.5°-4.5°)	33°-40° (0.5°-4.5°)	33°-40° (0.5°-4.5°)
	<b>Factory Temperature Setting - White Wine F (C)</b>	50°-55° (10.0°-13.0°)	50°-55° (10.0°-13.0°)	50°-55° (10.0°-13.0°)	50°-55° (10.0°-13.0°)
	<b>Factory Temperature Setting - Red Wine F (C)</b>	60°-65° (15.5°-18.0°)	60°-65° (15.5°-18.0°)	60°-65° (15.5°-18.0°)	60°-65° (15.5°-18.0°)
	<b>Temperature Range - Wine F (C)</b>	50°-65° (10.0°-18.0°)	50°-65° (10.0°-18.0°)	50°-65° (10.0°-18.0°)	50°-65° (10.0°-18.0°)
	<b>Condensing Unit Location</b>	Left or Right	Left or Right	Left or Right	Left or Right
	<b>Expansion Device</b>	Capillary tube	Capillary tube	Capillary tube	Capillary tube
	<b>Pull-Out Condensing Unit</b>	Yes	Yes	Yes	Yes
<b>Front Vented</b>	Yes	Yes	Yes	Yes	
<b>PLUMBING</b>	<b>Evaporator Condensate</b>	Automatically	Automatically	Automatically	Automatically

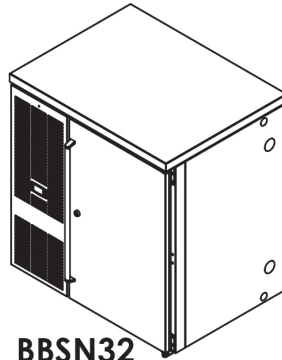
Form No. 95177  
Rev. 12.18.2018

**Perlick®** SELF-CONTAINED NARROW DOOR REFRIGERATOR  
1-, 2-, 3- AND 4-DOOR

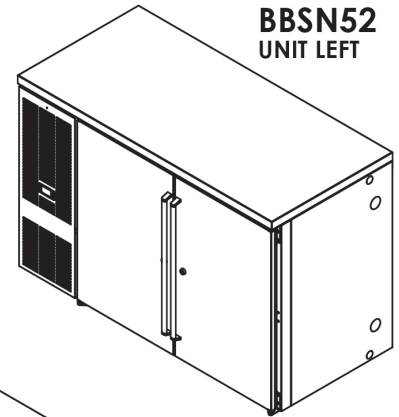
Note: Open floor drain not provided on models intended for non-packaged food.



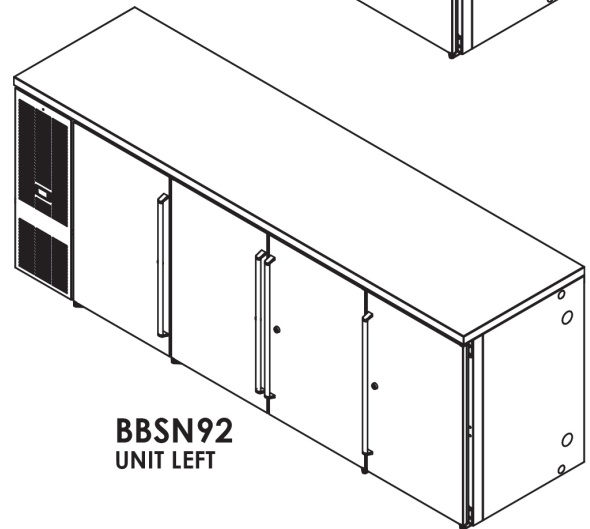
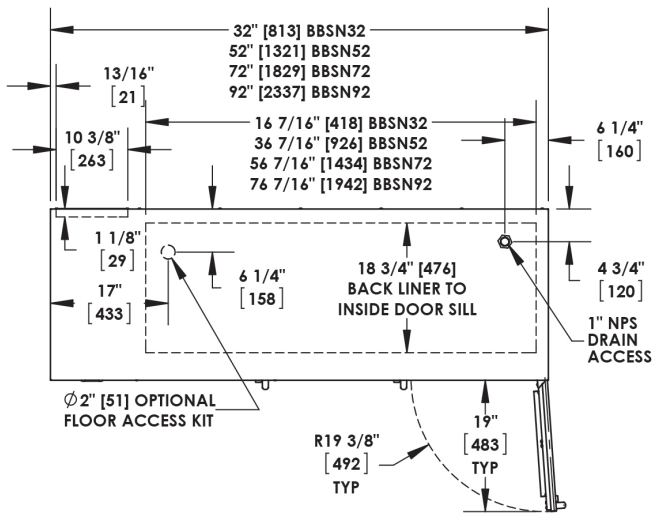
**BBSN72**  
UNIT RIGHT



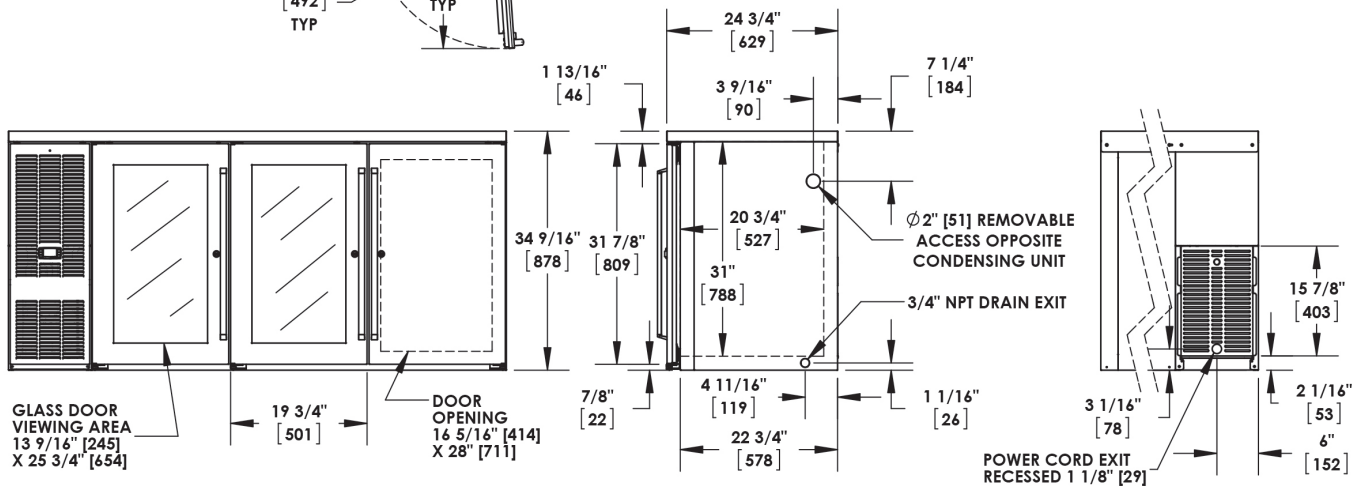
**BBSN32**  
UNIT LEFT



**BBSN52**  
UNIT LEFT



**BBSN92**  
UNIT LEFT



**California Prop 65 Notice:**

**!** **WARNING:** The materials used in this product may contain chemicals known to the State of California to cause cancer and birth defects or other reproductive harm, For more information go to [www.P65Warnings.ca.gov](http://www.P65Warnings.ca.gov).

Form No. 95177  
Rev. 12.18.2018