



Profit from the Eagle Advantage®

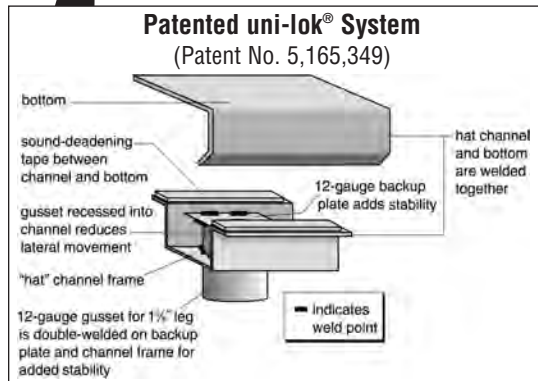
# Specification Sheet

## Short Form Specifications

Eagle Spec-Master® Marine Counter Edge Cabinets with Flat Top, model \_\_\_\_\_. Top is 14/304 stainless steel, sides and back are heavy gauge stainless steel. Open front, stainless steel sliding doors, or stainless steel hinged doors. Marine counter edge on all sides. Constructed with uni-lok® patented gusset system, with the gussets recessed into channels, to reduce lateral movement. 1 1/4" O.D. stainless steel tubular legs with adjustable stainless steel bullet feet.



cabinet with sliding doors



Item No.: \_\_\_\_\_  
 Project No.: \_\_\_\_\_  
 S.I.S. No.: \_\_\_\_\_

## Spec-Master® Marine Counter Edge Cabinets with Flat Top

### MODELS:

- |                                     |                                     |                                      |
|-------------------------------------|-------------------------------------|--------------------------------------|
| <input type="checkbox"/> OB2436SEM  | <input type="checkbox"/> CB2436SEM  | <input type="checkbox"/> CBH2436SEM  |
| <input type="checkbox"/> OB2448SEM  | <input type="checkbox"/> CB2448SEM  | <input type="checkbox"/> CBH2448SEM  |
| <input type="checkbox"/> OB2460SEM  | <input type="checkbox"/> CB2460SEM  | <input type="checkbox"/> CBH2460SEM  |
| <input type="checkbox"/> OB2472SEM  | <input type="checkbox"/> CB2472SEM  | <input type="checkbox"/> CBH2472SEM  |
| <input type="checkbox"/> OB2484SEM  | <input type="checkbox"/> CB2484SEM  | <input type="checkbox"/> CBH2484SEM  |
| <input type="checkbox"/> OB2496SEM  | <input type="checkbox"/> CB2496SEM  | <input type="checkbox"/> CBH2496SEM  |
| <input type="checkbox"/> OB24120SEM | <input type="checkbox"/> CB24120SEM | <input type="checkbox"/> CBH24120SEM |
| <input type="checkbox"/> OB3036SEM  | <input type="checkbox"/> CB3036SEM  | <input type="checkbox"/> CBH3036SEM  |
| <input type="checkbox"/> OB3048SEM  | <input type="checkbox"/> CB3048SEM  | <input type="checkbox"/> CBH3048SEM  |
| <input type="checkbox"/> OB3060SEM  | <input type="checkbox"/> CB3060SEM  | <input type="checkbox"/> CBH3060SEM  |
| <input type="checkbox"/> OB3072SEM  | <input type="checkbox"/> CB3072SEM  | <input type="checkbox"/> CBH3072SEM  |
| <input type="checkbox"/> OB3084SEM  | <input type="checkbox"/> CB3084SEM  | <input type="checkbox"/> CBH3084SEM  |
| <input type="checkbox"/> OB3096SEM  | <input type="checkbox"/> CB3096SEM  | <input type="checkbox"/> CBH3096SEM  |
| <input type="checkbox"/> OB30120SEM | <input type="checkbox"/> CB30120SEM | <input type="checkbox"/> CBH30120SEM |

### Tabletop

- 14 gauge type 304 stainless steel.
- Reinforced with full length "hat" channel support.
- Marine counter edge, set in 1" (25mm), on all sides, designed to retard spillage.

### Cabinet

- Cabinet body is heavy gauge stainless steel.
- Available with open front, or with 20 gauge stainless steel sliding or hinged doors\*.
- Bottom panel features an offset designed to retard spillage.

### Legs

- uni-lok® leg/gusset channel assembly (patent #5,165,349).
- Adjustable stainless bullet feet—1" (25mm) adjustment.

### Options / Accessories

- Center shelf\*\*

\* Cabinets 84" (2134mm) and longer have two sets of sliding or hinged doors.

\*\* To order center shelf, add suffix "-CS". Example: CB3036SEM-CS

### EAGLE GROUP

100 Industrial Boulevard, Clayton, DE 19938-8903 USA

Phone: 302-653-3000 • Fax: 302-653-2065

www.eaglegrp.com

Foodservice Division: Phone 800-441-8440

MHC/Retail Display Divisions: Phone 800-637-5100

For custom configuration or fabrication needs, contact our SpecFAB® Division.

Phone: 302-653-3000 • Fax: 302-653-2065 • e-mail: quotes@eaglegrp.com

### Certifications / Approvals



### AUTOQUOTES



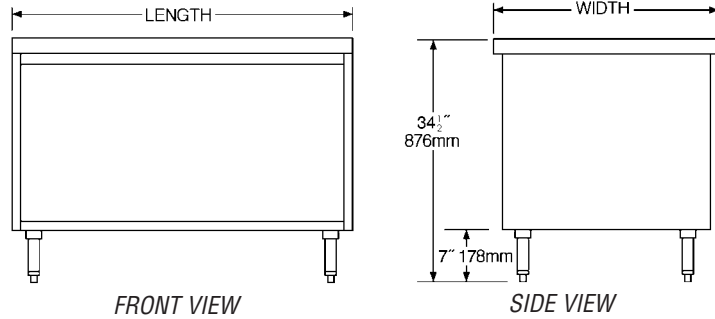
EG10.33A Rev. 08/13

Spec sheets available for viewing, printing or downloading from our online literature library at [www.eaglegrp.com](http://www.eaglegrp.com)



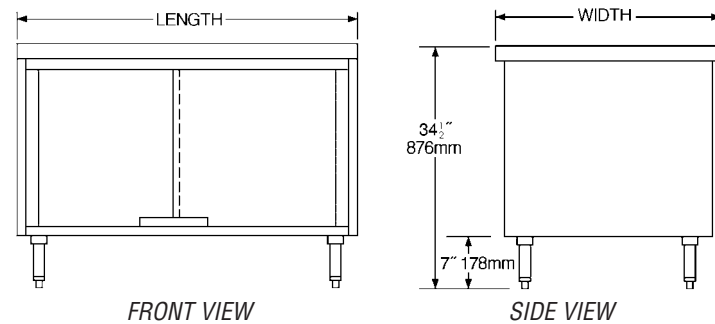
Item No.: \_\_\_\_\_  
 Project No.: \_\_\_\_\_  
 S.I.S. No.: \_\_\_\_\_

### Spec-Master® Marine Counter Edge Cabinets with Open Front



model #	# of legs	width		length		weight	
		in.	mm	in.	mm	lbs.	kg
OB2436SEM	4	24"	610	36"	914	132	59.9
OB2448SEM	4	24"	610	48"	1219	160	72.6
OB2460SEM	4	24"	610	60"	1524	200	90.7
OB2472SEM	4	24"	610	72"	1829	240	108.9
OB2484SEM	6	24"	610	84"	2134	281	127.5
OB2496SEM	6	24"	610	96"	2438	322	146.1
OB24120SEM	6	24"	610	120"	3048	366	166.0
OB3036SEM	4	30"	762	36"	914	136	61.7
OB3048SEM	4	30"	762	48"	1219	166	75.3
OB3060SEM	4	30"	762	60"	1524	199	90.3
OB3072SEM	4	30"	762	72"	1829	248	112.5
OB3084SEM	6	30"	762	84"	2134	294	133.4
OB3096SEM	6	30"	762	96"	2438	340	154.2
OB30120SEM	6	30"	762	120"	3048	432	196.0

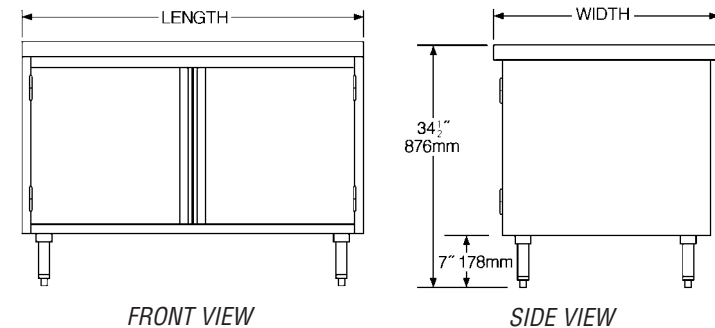
### Spec-Master® Marine Counter Edge Cabinets with Sliding Doors



model #	# of legs	width		length		weight	
		in.	mm	in.	mm	lbs.	kg
CB2436SEM	4	24"	610	36"	914	138	62.6
CB2448SEM	4	24"	610	48"	1219	170	77.1
CB2460SEM	4	24"	610	60"	1524	212	96.2
CB2472SEM	4	24"	610	72"	1829	254	115.2
CB2484SEM*	6	24"	610	84"	2134	299	135.6
CB2496SEM*	6	24"	610	96"	2438	339	153.8
CB24120SEM*	6	24"	610	120"	3048	384	174.2
CB3036SEM	4	30"	762	36"	914	142	64.4
CB3048SEM	4	30"	762	48"	1219	173	78.5
CB3060SEM	4	30"	762	60"	1524	219	99.3
CB3072SEM	4	30"	762	72"	1829	261	118.4
CB3084SEM*	6	30"	762	84"	2134	312	141.5
CB3096SEM*	6	30"	762	96"	2438	350	158.8
CB30120SEM*	6	30"	762	120"	3048	450	204.1

\* Note: Worktables 84" (2134mm) and longer have *two* sets of doors.

### Spec-Master® Marine Counter Edge Cabinets with Hinged Doors



model #	# of legs	width		length		weight	
		in.	mm	in.	mm	lbs.	kg
CBH2436SEM	4	24"	610	36"	914	138	62.6
CBH2448SEM	4	24"	610	48"	1219	170	77.1
CBH2460SEM	4	24"	610	60"	1524	212	96.2
CBH2472SEM	4	24"	610	72"	1829	254	115.2
CBH2484SEM*	6	24"	610	84"	2134	299	135.6
CBH2496SEM*	6	24"	610	96"	2438	339	153.8
CBH24120SEM*	6	24"	610	120"	3048	384	174.2
CBH3036SEM	4	30"	762	36"	914	142	64.4
CBH3048SEM	4	30"	762	48"	1219	173	78.5
CBH3060SEM	4	30"	762	60"	1524	219	99.3
CBH3072SEM	4	30"	762	72"	1829	261	118.4
CBH3084SEM*	6	30"	762	84"	2134	312	141.5
CBH3096SEM*	6	30"	762	96"	2438	350	158.8
CBH30120SEM*	6	30"	762	120"	3048	450	204.1

\* Note: Worktables 84" (2134mm) and longer have *two* sets of doors.

**EAGLE GROUP**  
 100 Industrial Boulevard, Clayton, DE 19938-8903 USA  
 Phone: 302-653-3000 • Fax: 302-653-2065  
 www.eaglegrp.com

Foodservice Division: Phone 800-441-8440  
 MHC/Retail Display Divisions: Phone 800-637-5100

Printed in U.S.A.  
 ©2013 by Eagle Group

Rev. 08/13

Spec sheets available for viewing, printing or downloading from our online literature library at [www.eaglegrp.com](http://www.eaglegrp.com)

Although every attempt has been made to ensure the accuracy of the information provided, we cannot be held responsible for typographical or printing errors. Information and specifications are subject to change without notice. Please confirm at time of order.