

Open Merchandisers 35E Series - 78.5"H - Endless Design - Produce



| Model No. | Description | Length | Depth | Height | Voltage | Amps | HP/BTUs | Power Cord | Est. Ship Weight |
|------------------------|----------------|--------|-------|--------|-------------|------|---------|------------|------------------|
| SC-OP35E-3S-LED | Self Contained | 39" | 34.5" | 78.5" | 115 | 16.0 | 1/2 | 5-20P | 700 |
| SC-OP35E-4S-LED | Self Contained | 51" | 34.5" | 78.5" | 115/208-230 | 13.0 | 3/4 | L14-20P | 965 |
| SC-OP35E-5S-LED | Self Contained | 63" | 34.5" | 78.5" | 115/208-230 | 16.0 | 1 | L14-20P | 1070 |
| SC-OP35E-6S-LED | Self Contained | 75" | 34.5" | 78.5" | 115/208-230 | 16.0 | 1 | L14-20P | 1175 |
| SC-OP35E-8S-LED | Self Contained | 99" | 34.5" | 78.5" | 115/208-230 | 16.0 | 1 | L14-20P | 1350 |
| R-OP35E-3S-LED | Remote | 39" | 34.5" | 78.5" | 115 | 2.0 | 4906 | No | 575 |
| R-OP35E-4S-LED | Remote | 51" | 34.5" | 78.5" | 115 | 3.0 | 6542 | No | 790 |
| R-OP35E-5S-LED | Remote | 63" | 34.5" | 78.5" | 115 | 4.0 | 8170 | No | 895 |
| R-OP35E-6S-LED | Remote | 75" | 34.5" | 78.5" | 115 | 4.0 | 9813 | No | 1000 |
| R-OP35E-8S-LED | Remote | 99" | 36.5" | 78.5" | 115 | 6.0 | 13084 | No | 1580 |
| R-OP35E-10S-LED | Remote | 123" | 36.5" | 78.5" | 115 | 7.0 | 16355 | No | 1790 |
| R-OP35E-12S-LED | Remote | 147" | 36.5" | 78.5" | 115 | 8.0 | 19626 | No | 2000 |

MODEL NUMBER PREFIX - SC = Self Contained R = Remote

MODEL NUMBER SUFFIX - W = White B = Black S = Stainless Steel LED = LED lighting

- Cases are designed to operate at 75 degrees Fahrenheit and 55% relative humidity
- Cases are equipped with drains; check your local building codes for connection requirements.
- Specification subject to change without notice

IF COLORS ARE MIXED AN ADDITIONAL CHARGE WILL APPLY



Open Merchandisers 35E Series – 78.5"H - Endless Design - Produce

Standard Specifications and Optional Features

CONSTRUCTION

- UL Classified to ANSI/NSF 7
- Foamed in place CFC free foam
- Heavy gauge steel super structure
- Multi deck
- Endless design allows for continuous line up

INTERIOR

- White, black, or stainless steel end panels
- Removable white, black, or stainless steel floor pans
- White, black, or stainless steel perforated rear wall (for even air distribution)
- Full length lighting at top of unit
- 3 levels of lighted shelving
- 4 levels of product display
- Full length mirror to enhance product display
- Stylish price tag molding on each shelf
- 3" Product stop on each shelf

EXTERIOR

- White, black, or stainless steel ends and front
- Removeable front grill allows for cleaning and servicing
- 1" bumper
- Choice of end panels

FINISHES

- White, black, or stainless steel front rail
- White, black, or stainless steel end trim
- Laminate, and custom paints available
- White, black, or stainless steel end panels
- White, black, or stainless steel rear panels

LIGHTING

- 1 row at inside top of unit
- 3 rows of lighted shelving

ELECTRICAL REQUIREMENTS

- Self contained unit comes with cord and plug
- UL/CUL listed
- See Tech page for details on voltage

REFRIGERATION

- Self Contained; - expansion valve system
- Remote; R448A expansion valve system
- Low velocity fans located below deck area (to insure even flow of air)
- Electronic Control System with automatic air defrost to maintain balanced temperatures
- New high efficiency air screen technology
- Self contained system
- Copeland hermetic unit
- Remotes available

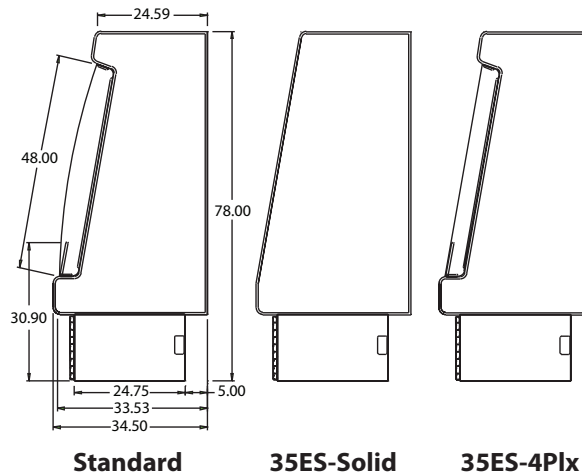
OPTIONAL FEATURES

- Solid state lighting
- Night covers
- Security cover
- Peg bars
- Step shelves
- Insulated divider for line ups
- Plexiglas divider for line ups
- Choice of end panels
- Stainless steel, laminated or paint
- Colored bumpers
- Digital thermometer

Important Note:

All refrigerated cases are designed to operate in an environment of 75 degrees and 55% relative humidity. Product must be cooled before being displayed within the case.

DRAIN IS REQUIRED



Standard

35ES-Solid

35ES-4Plx

Open Merchandisers

35E Series – 78.5"H - Endless Design - Produce

Technical Data

| Model No. | SC R | SC-OP35E-3S-LED R-OP35E-3S-LED | SC-OP35E-4S-LED R-OP35E-4S-LED | SC-OP35E-5S-LED R-OP35E-5S-LED | SC-OP35E-6S-LED R-OP35E-6S-LED | SC-OP35E-6S-LED R-OP35E-8S-LED | R-OP35E-10S-LED | R-OP35E-12S-LED/ |
|-------------------------------|-------------|-----------------------------------|-----------------------------------|-----------------------------------|-----------------------------------|-----------------------------------|----------------------------|----------------------------|
| Length with (2) ends | | 39" | 51" | 63" | 75" | 99" | 123" | 147" |
| Length without ends | | 36" | 48" | 60" | 72" | 96" | 120" | 144" |
| Height with ends | | 78.5" | 78.5" | 78.5" | 78.5" | 78.5" | 78.5" | 78.5" |
| Height without ends | | 78" | 78" | 78" | 78" | 79.25" | 79.25" | 79.25" |
| Depth with ends | | 34.5" | 34.5" | 34.5" | 34.5" | 35.25" | 35.25" | 35.25" |
| Depth without ends | | 34" | 34" | 34" | 34" | 35.25" | 35.25" | 35.25" |
| Endless design | | YES | YES | YES | YES | YES | YES | YES |
| (Dimensions are +/- 1/4") | | | | | | | | |
| Operating temperature | | 38°F to 41°F | 38°F to 41°F | 38°F to 41°F | 38°F to 41°F | 38°F to 41°F | 38°F to 41°F | 38°F to 41°F |
| Refrigerant (expansion valve) | SC/R | - /R448A | - /R448A | - /R448A | - /R448A | R448A | R448A | R448A |
| Compressor size HP | SC | 1/2 | 3/4 | 1 | 1 | N/A | N/A | N/A |
| Defrost per day (24 hours) | Air Defrost | 6 per day | 6 per day | 6 per day | 6 per day | 6 per day | 6 per day | 6 per day |
| BTU's at +20°F Evap. Temp. | R | 4906 | 6550 | 8177 | 9813 | 13100 | 16363 | 19626 |
| Voltage | SC | 115 | 115/208-230 | 115/208-230 | 115/208-230 | 115/208-230 | | |
| Amperage | SC | 16.0 | 13.0 | 16.0 | 16.0 | 16.0 | | |
| Remote Voltage | R | 115 | 115 | 115 | 115 | 115 | 115 | 115 |
| Amperage, lights only | R | 2.0 | 3.0 | 4.0 | 4.0 | 6.0 | 7.0 | 8.0 |
| Cord and plug | SC | 5-20P | L14-20P | L14-20P | L14-20P | L14-20P | | |
| | R | NO | NO | NO | NO | NO | NO | NO |
| Exterior color | | W, B, S | W, B, S | W, B, S | W, B, S | W, B, S | W, B, S | W, B, S |
| Interior color | | W, B, S | W, B, S | W, B, S | W, B, S | W, B, S | W, B, S | W, B, S |
| # of rows / shelves | | 4/4 | 4/4 | 4/4 | 4/8 | 4/8 | 4/12 | 4/16 |
| Shelf Size | | (1) 14" (1) 16" (1) 18" | (1) 14" (1) 16" (1) 18" | (1) 14" (1) 16" (1) 18" | (2) 14" (2) 16" (2) 18" | (2) 14" (2) 16" (2) 18" | (3) 14" (3) 16" (2) 18" | (4) 14" (4) 16" (2) 18" |
| Shipping Info | | | | | | | | |
| Height | | 86" | 86" | 86" | 86" | 86" | 86" | 86" |
| Depth | | 44" | 44" | 44" | 44" | 44" | 44" | 44" |
| Length | | 61" | 61" | 72" | 86" | 109" | 135" | 157" |
| Gross weight (SC/R) | | 700/575 | 965/790 | 1070/895 | 1175/1000 | 1580/1350 | 1790 | 2000 |
| Cubic feet | | 100 | 130 | Call for Info | 184 | 233 | 288 | 336 |

(ALL WHITE OR ALL BLACK, NO EXTRA CHARGE—IF COLORS ARE MIXED AN ADDITIONAL CHARGE WILL APPLY)

Prefix

SC = Self Contained
R = Remote

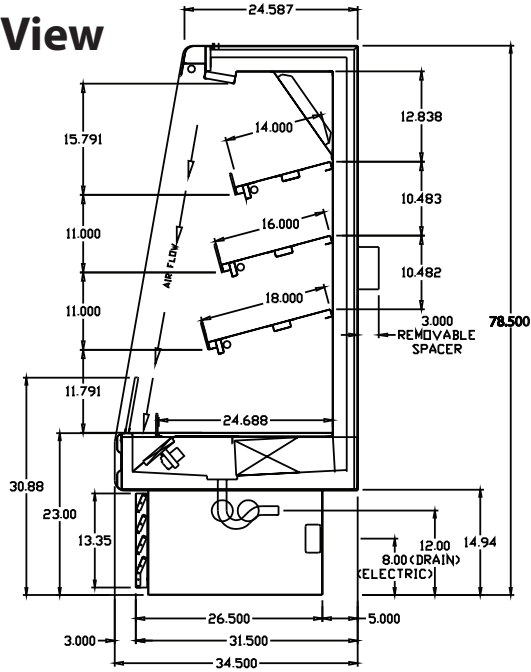
Suffix

B = Black
W = White
S = Stainless Steel
LED = LED lighting

- Cases are designed to operate at 75 degrees Fahrenheit and 55% relative humidity
- Cases are equipped with drains; check your local building codes for connection requirements.
- Specification subject to change without notice

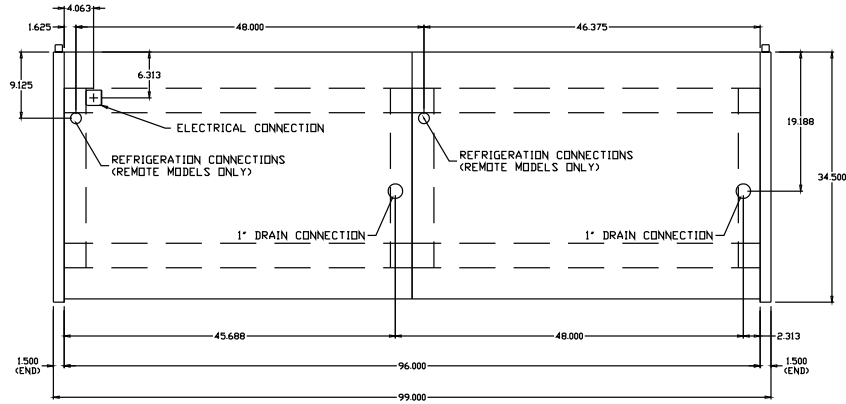
Open Merchandisers 35E Series - 78.5"H - Endless Design - Produce Technical Data • Side View • Plan View

Side View

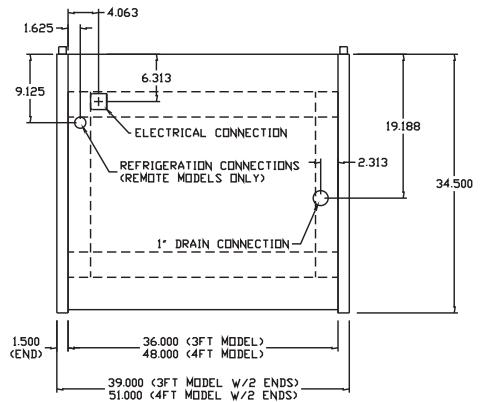


Floor Plan Views

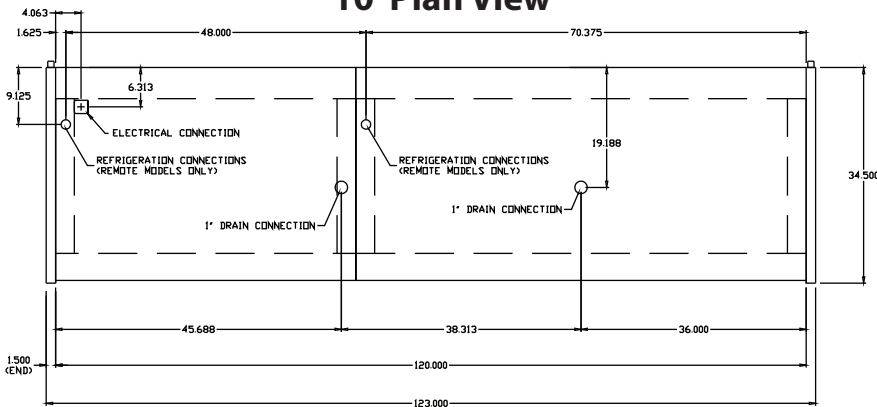
8' Plan View



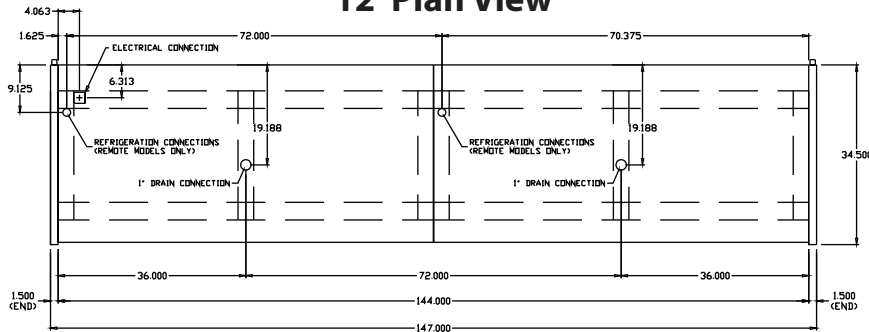
3' & 4' Plan Views



10' Plan View



12' Plan View



5' & 6' Plan Views

