



Project Name: _____

Location: _____

Item #: _____ Qty: _____

Model: _____

INTELLIGENT SERIES 30" MODULAR ICE MACHINES

MODEL: MIM650N MIM650NH MIM1000N MIM1000NH



MIM650N/NH



MIM1000N/NH



Designed to fit perfectly with the MIB470N and MIB580N Bins (sold separately)

MMaxx Ice Intelligent Series modular, air-cooled ice machines are designed for high volume ice production application. The modular units are compatible with most ice storage bins and beverage dispensers. Available in both full or half dice cubes, the stainless steel and black trim exterior features a hinged front panel for easy cleaning and servicing. The digital controls, vertical evaporator and proven ice making technology will deliver years of reliable ice production.

FEATURES AND CONSTRUCTION

- Stainless steel, black trim exterior
- Air-cooled compressor
- Programmable, user-friendly digital controls
- Digital screen displays ice machine status
- Automatic cleaning cycle and bin overflow prevention
- Power for unit also illuminates the internal LED light in storage bin (MIB470N / MIB580N - sold separately)
- Hinged front panel for easy cleaning and service
- Units are stackable for increased ice production (optional adapter is required)

DAILY ICE PRODUCTION

Air Temp 70°F (21°C) / Water Temp 50°F (10°C)	
MIM650N.....	650 lbs (295 kg)
MIM650NH	645 lbs (292 kg)
MIM1000N.....	937 lbs (425 kg)
MIM1000NH	1005 lbs (456 kg)

Air Temp 90°F (32°C) / Water Temp 70°F (21°C)	
MIM650N.....	539 lbs (245 kg)
MIM650NH	542 lbs (246 kg)
MIM1000N.....	771 lbs (350 kg)
MIM1000NH	774 lbs (351 kg)

ELECTRIC

230V / 60Hz / 1Ph
Hard-wired installation is required



3RD PARTY APPROVALS



Certified to ANSI NSF 12



Certified to ANSI UL 563



DOE 2018 Compliant

MAXX ICE WARRANTY (USA / CANADA)

Contact Maxx Ice for warranty statement at
TechnicalServices@TheLegacyCompanies.com or 877.368.2797

OPERATING REQUIREMENTS

Ambient Air Temperature Range..... 50° to 100°F (10° to 38°C)
 Water Temperature Range 41° to 90°F (5° to 32°C)
 Water Usage per 100 lbs of ice..... 13.12 Gallons (50L)
 Water Supply Line Connection 3/8" FPT

Water Pressure Range:
 Min PSI..... 15 Max PSI 80*
 Min Bar 1.0 Max Bar..... 5.5

*Above 80 PSI requires a regulator

Energy Consumption per 100 lbs of ice:

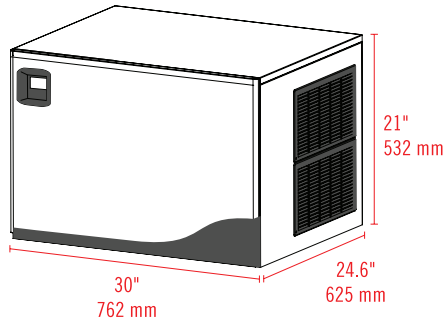
MIM650N.....	5.6 kWh/100 lbs
MIM650NH	5.6 kWh/100 lbs
MIM1000N.....	5.1 kWh/100 lbs
MIM1000NH	5.1 kWh/100 lbs



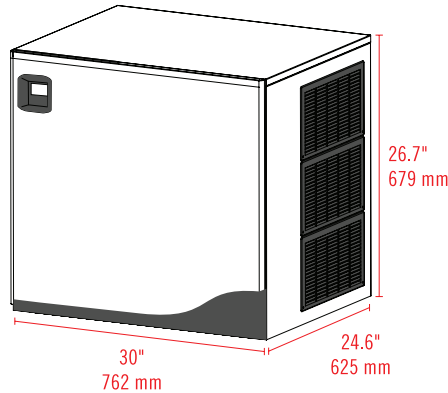
MAXX ICE

INTELLIGENT SERIES 30" MODULAR ICE MACHINES

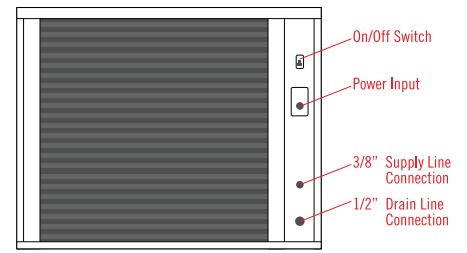
MIM650N/NH



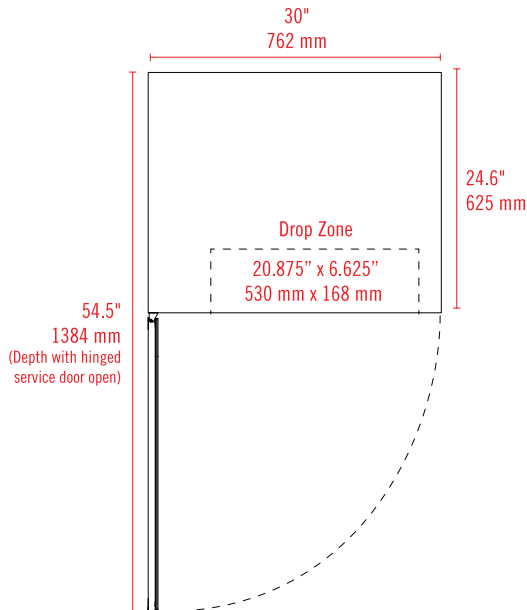
MIM1000N/NH



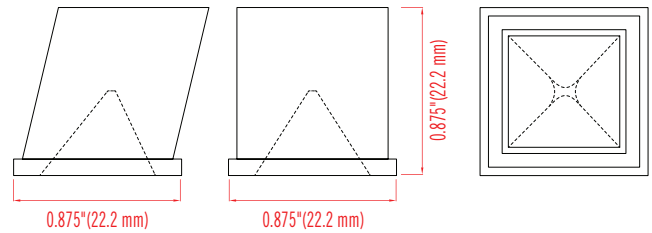
REAR VIEW (ALL MODELS)



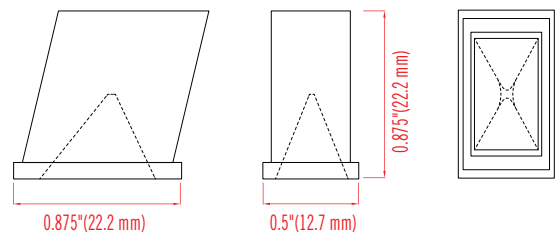
TOP VIEW (ALL MODELS)



FULL DICE CUBE (N MODELS)



HALF DICE CUBE (NH MODELS)



MODEL	EXTERNAL DIMENSIONS	DAILY ICE PRODUCTION (70°F Air / 50°F Water)	COMPATIBLE MAXX ICE STORAGE BIN	NET WEIGHT / SHIPPING WEIGHT	AMP DRAW (MAKING / HARVESTING)	REFRIGERANT AND CHARGE SIZE	ELECTRICAL
MIM650N	30" x 24.6" x 21" (762 x 625 x 532 mm)	650 lbs (295 kg)	MIB470N & MIB580N	155 lbs (70 kg) 165 lbs (75 kg)	7.1A / 8A	R-404a 43oz (1219g)	230V / 60Hz / 1Ph
MIM650NH	30" x 24.6" x 21" (762 x 625 x 532 mm)	645 lbs (292 kg)	MIB470N & MIB580N	155 lbs (70 kg) 165 lbs (75 kg)	7.1A / 8A	R-404a 43oz (1219g)	230V / 60Hz / 1Ph
MIM1000N	30" x 24.6" x 21" (762 x 625 x 532 mm)	937 lbs (425 kg)	MIB470N & MIB580N	194 lbs (88 kg) 208 lbs (94 kg)	10A / 11.1A	R-404a 57.14oz (1620g)	230V / 60Hz / 1Ph
MIM1000NH	30" x 24.6" x 26.7" (762 x 625 x 679 mm)	1005 lbs (456 kg)	MIB470N & MIB580N	194 lbs (88 kg) 208 lbs (94 kg)	10A / 11.1A	R-404a 57.14oz (1620g)	230V / 60Hz / 1Ph

INSTALLATION

- A clearance of 2" from the wall is recommended to promote adequate cooling air circulation
- A gravity drain line is required to install this ice machine
- For optimal performance, the use of a water filter is recommended