

Project: _____	AIA# _____
Item #: _____ Qty: _____	SIS# _____
Model #: _____	

## Drink Rails



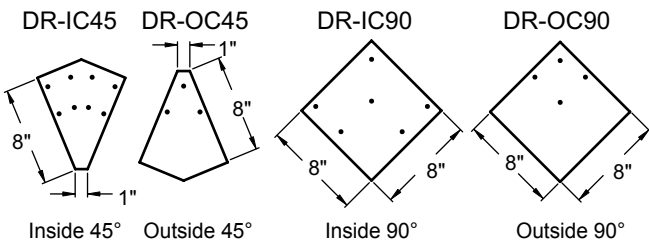
DR-36L

DR-12L, DR-12R, DR-18L, DR-18R, DR-24L, DR-24R, DR-30L, DR-30R, DR-36L, DR-36R, DR-42L, DR-42R, DR-48L, DR-48R

### Standard Features

- All stainless steel construction
- One-piece, seamless mounting deck and pan with removable perforated inserts
- 30" and 36" models have one gusset and 42" and 48" models have two gussets for added strength
- Drain consists of 1/2" tailpiece that exits from the back of the unit
- 45° and 90° inside and outside corner filler sections available
- Installation kit includes: 10' of clear vinyl drain tube, one 4" Ty-wrap, three #10 x 1/2 stainless steel sheet metal screws, three cable clamps and one 1/2" x 1/2" x 1/2" plastic tee, 17 #10 x 1/2 black sheet metal screws

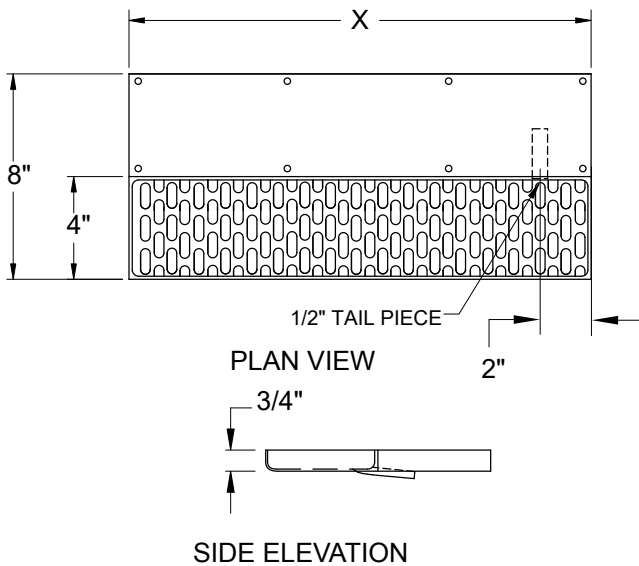
### Corner Filler Model Numbers and Dimensions



### Specifications

- Materials**
- 20 gauge stainless steel parts include: perforated insert
  - 18 gauge stainless steel parts include: drain pan

### Dimensional Information



X = Left to right dimension from 12" to 48", in 6" increments

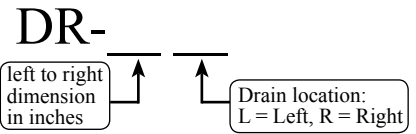


Intertek

4004503

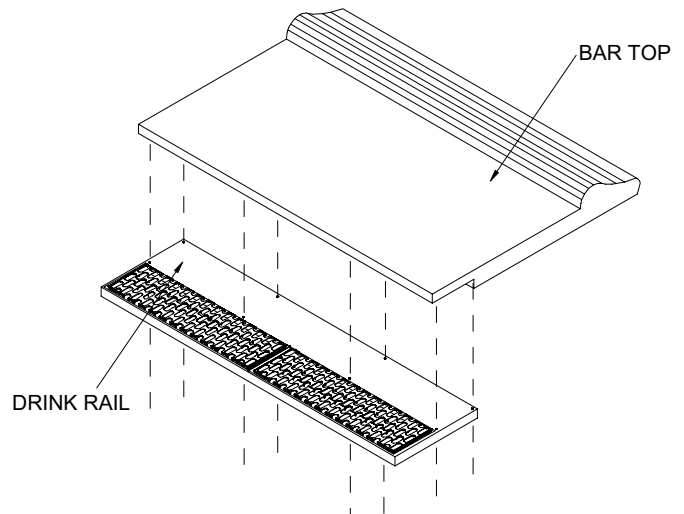
Conforms to ANSI/NSF STD 2

Model Number Key



To view cleaning and care instructions, please visit:  
[https://www.glastender.com/PDF/F-423-011\\_ss\\_clean\\_care.pdf](https://www.glastender.com/PDF/F-423-011_ss_clean_care.pdf)

### Installation Detail



Apply silicone sealant to the rear mounting surface of the drink rail. Install unit by securing to underside of bar top with wood screws provided. If installing to material other than wood, use appropriate screws to secure. Plumb drain once installed.

<p><b>Glastender, Inc.</b> • 5400 N Michigan Rd • Saginaw, MI • 48604-9780          989.752.4275 • 800.748.0423 • Fax 989.752.4444  <a href="http://www.glastender.com">www.glastender.com</a></p>	<p>Approval/Notes:</p>
--	------------------------

Specifications subject to change without notice. For current specifications please visit our website.