

SF Series Reach-In Freezers



Model No.	Description	Length	Depth	Height W/Casters	Voltage	Amps	HP/BTUs	Power Cord	Est. Ship Weight
Freezers / Frozen Food									
SF22-FF	One Door	26.50"	36.84"	83.00"	115	12.0	1/2	5-15P	373
SF48-FF	Two Door	52.25"	36.84"	83.00"	115	16.0	1/2	5-20P	710
SF75-FF	Three Door	78.00"	36.84"	83.00"	115/208-230	12.0	3/4	L14-20P	790
SF22-S-FF	One Door	26.50"	36.84"	83.00"	115	12.0	1/2	5-15P	373
SF48-S-FF	Two Door	52.25"	36.84"	83.00"	115	16.0	1/2	5-20P	710
SF75-S-FF	Three Door	78.00"	36.84"	83.00"	115/208-230	12.0	3/4	L14-20P	790
SF22-H-FF	2 Half Doors	26.50"	36.84"	83.00"	115	12.0	1/2	5-15P	373
SF48-H-FF	4 Half Doors	52.25"	36.84"	83.00"	115	16.0	1/2	5-20P	710
SF75-H-FF	6 Half Doors	78.00"	36.84"	83.00"	115/208-230	12.0	3/4	L14-20P	790

Remote Model No.	Description	Length	Depth	Height W/Casters	Voltage	Amps	HP/BTUs	Power Cord	Est. Ship Weight
Freezers / Frozen Food									
R-SF22-FF	One Door	26.50"	36.84"	83.00"	115	9.6	1556 BTUs	NO	328
R-SF48-FF	Two Door	52.25"	36.84"	83.00"	115	14.0	2100 BTUs	NO	516
R-SF75-FF	Three Door	78.00"	36.84"	83.00"	115/208-230	8.6	3400 BTUs	NO	720

MODEL NUMBER PREFIX - SC = Self Contained R = Remote
 MODEL NUMBER SUFFIX - W = White B = Black S = Stainless Steel LED = LED lighting
 • Cases are designed to operate at 75 degrees Fahrenheit and 55% relative humidity
 • Cases are equipped with drains; check your local building codes for connection requirements.
 • Specification subject to change without notice
 IF COLORS ARE MIXED AN ADDITIONAL CHARGE WILL APPLY



Standard Specification and Optional Features

CONSTRUCTION

- UL Classified to ANSI/NSF 7
- Top mounted condensing unit
- 5" heavy duty casters
- Foamed in place CFC free foam
- Externally mounted digital display
- Heavy duty edge mount hinges
- Self closing doors

INTERIOR

- 3 epoxy coated shelves per door
- Aluminum interior

EXTERIOR

- Stainless front and doors
- Aluminum end panels
- Heavy duty door locks
- Horizontal mounted handle
- Frame heater minimizes moisture around door

FREEZER

- Self contained condensing unit
- Remote Units - R448A expansion valve
- Electronically controlled with audio alarm
- Automatic air defrost
- 115V
- 3 Door units 115V/208-230
- Cord and plug included
- UL/CUL listed

LIGHTING

- Automatic interior light activates when door is opened

OPTIONS

- Stainless steel outside ends
- Stainless steel interior
- Laminated door, grill, sides
- Door swing change
- 6" legs top mount units only
- Pan slides
- Extra shelf
- Half-door
- Cantilever shelves

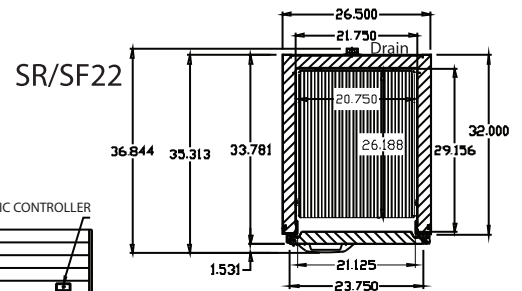
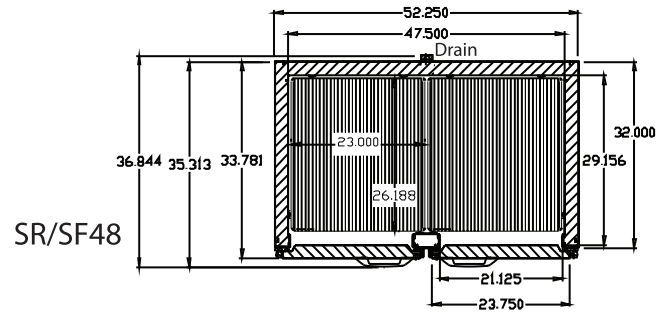
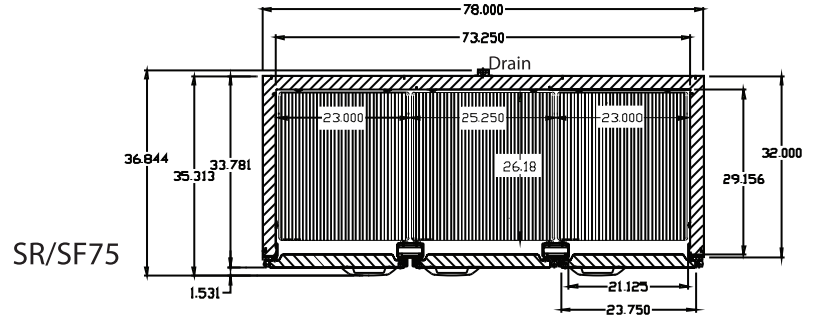
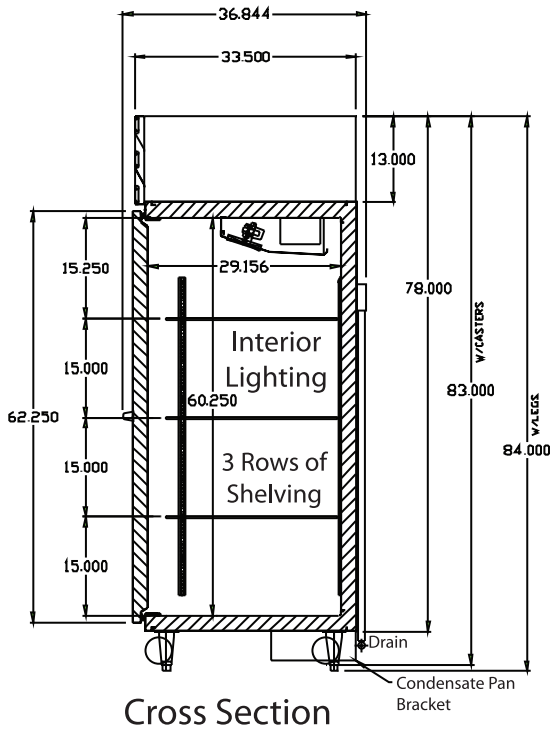
Technical Data

Model No. FREEZERS- FROZEN FOODS	SC R	SF22-FF R-SF22-FF	SF48-FF R-SF48-FF	SF75-FF R-SF75-FF
Length		26.50"	52.25"	78.00"
Height with casters		83.00"	83.00"	83.00"
Depth w/drain line & handle		36.84"	36.84"	36.84"
(Dimensions are +/- 1/4") Cubic capacity		22	48	75
Door size		(1) 23.75" x 62.25"	(2) 23.75" x 62.25"	(3) 23.75" x 62.25"
Shelf size		(3) 20.75" x 26.188"	(3) 23.00" x 26.188" (6) 23.00" x 26.188"	(3) 25.25" x 26.188"
Shipping Info				
Height		82.00"	82.00"	82.00"
Depth		44.00"	44.00"	44.00"
Length		31.00"	58.00"	84.00"
Gross weight Refrigerators SC/R		328/228	516/401	720/595
Gross weight Freezers SC/R		373/328	710/516	790/720
Cubic feet		73'	118'	171'
Operating temperature		-5°F to 5°F	-5°F to 5°F	-5°F to 5°F
Refrigerant	SC	-	-	-
Expansion Valve	R	R448A	R448A	R448A
Compressor size HP	SC	1/2	1/2	3/4
Refrigeration system		Electronic controlled	Electronic controlled	Electronic controlled
Defrost per day (24hrs)	Electric	3 per day	3 per day	3 per day
BTU's at -15°F Evap. Temp.	R	1556	2100	3400
Voltage	SC	115	115	115/208-230
Voltage, lights, fans, defrost heaters	R	115	115	115
Amperage	SC	12.0	16.0	12.0
Voltage, lights, fans, defrost heaters	R	9.6	14.0	8.6
Cord and plug	SC	5-15P	5-20P	L14-20P
	R	NO	NO	NO

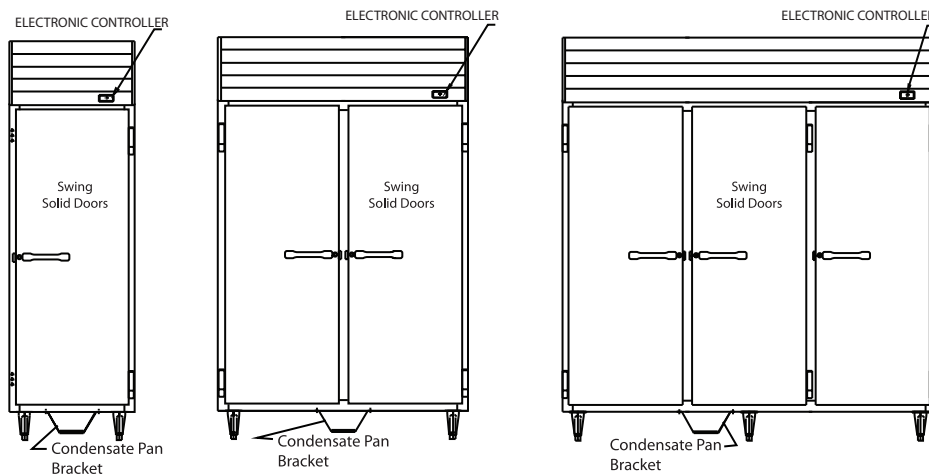
Specification subject to change without notice

SF Series Reach-In Freezers

Technical Data • Side View • Plan View



Plan Views



Front View