



Model: _____ Item #: _____ Date: _____
 Project: _____ Qty: _____ Approved By: _____

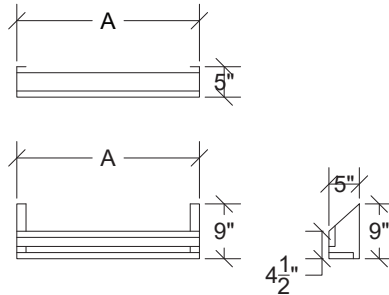
Royal Series Single & Double Speedrails

Royal Series Underbar

Royal Series Single Speedrail



RS-24 Shown



Model Numbers	Overall Length Ⓐ	Weight (lbs.)
RS-12	12"	3
RS-18	18"	3
RS-24	24"	4
RS-26	26"	5
RS-28	28"	6
RS-30	30"	6
RS-32	32"	6
RS-34	34"	6
RS-36	36"	7
RS-38	38"	7
RS-40	40"	8
RS-42	42"	9
RS-46	46"	9
RS-48	48"	10
RS-54	54"	11
RS-60	60"	12
RS-66	66"	13
RS-72	72"	14
RS-78	78"	15
RS-84	84"	15
RS-90	90"	16
RS-96	96"	16

STANDARD FEATURES

Front Apron 20 gauge stainless steel clad with black sound deadening ABS polymer plastic

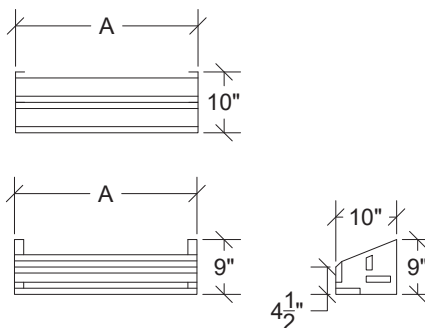
Sides 16 gauge stainless steel

Bottom 20 gauge stainless steel clad with black sound deadening ABS polymer plastic

Royal Series Double Speedrail



RD-24 Shown



Model Numbers	Overall Length Ⓐ	Weight (lbs.)
RD-12	12"	8
RD-18	18"	9
RD-24	24"	10
RD-26	26"	10
RD-28	28"	11
RD-30	30"	11
RD-32	32"	12
RD-34	34"	12
RD-36	36"	12
RD-38	38"	14
RD-40	40"	16
RD-42	42"	16
RD-48	48"	16
RD-54	54"	15
RD-60	60"	16
RD-66	66"	17
RD-72	72"	18
RD-78	78"	19
RD-84	84"	20
RD-90	90"	21
RD-96	96"	22



Conforms to NSF St. 2