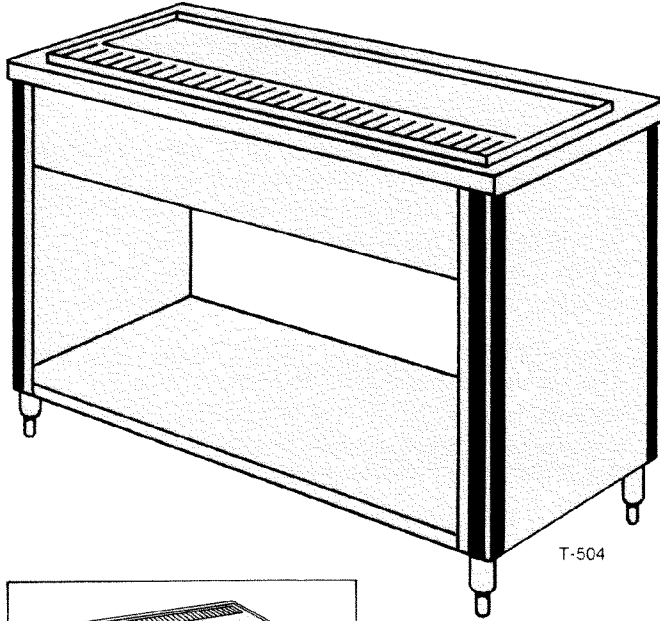




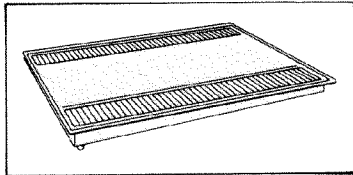
Spill-proof pitched trough

SERIES T-504
SERIES T-604

URN STANDS



T-504



For double service unit
specify Series T-604

Heavy gauge stationary Urn Stands

Efficient unit is easy to use, simple to keep clean. Just mount the coffee urn on top. Nothing can be simpler, nothing more practical or more efficient.

- Drop-in top for easy replacement.
- Roll bead lip prevents spillage, makes unit easy to clean.
- Pitched trough drains easily.
- Heavy gauge stainless steel reinforced top.
- Unique vinyl gasket

SPECIFICATIONS

Urn stand shall be Series _____

(continue, selecting series desired)

Series T-504 single drain (26" wide) Series T-604 double service (31½" wide)

as manufactured by Caddy Corporation of America. Unit shall be 52" long x 34" high all stainless steel exterior. Top of #18 gauge stainless steel turned down into 2" wide channel edges with corners welded. Drop-in urn drain assembly shall be reinforced, raised die stamped top with pitched trough(s) to drain easily. Around the full perimeter of top shall be a rolled beaded lip edge to prevent spillage. Unit shall incorporate a heavy gauge stainless steel removable non-splash drainer plate(s) with drain and valve for cleaning.

Frame structure to consist of two # 18 gauge stainless steel formed pedestals to be reinforced with # 16 gauge stainless steel channels, to have full height extruded plastic vertical bumpers. Body enclosure to be # 16 gauge stainless steel with # 18 gauge stainless steel reinforced undershelf with 6" adjustable legs and bullet feet.

ACCESSORIES (optional extra)

Replaceable Vinyl Corner Bumpers
ACC-52, adds 1" to length and width.



CADDY CORPORATION OF AMERICA
SUBSIDIARY SUN WAVE U.S.A. CO. LTD.

© 2/94 5M Printed in USA

