



PRESTIGE *Signature Series*

Liquor Display Cabinet NSF

25" Wide Units

Item #: _____	Qty #: _____
Model #: _____	
Project #: _____	



**PRLR-24
Shown**



**Optional Locking Cover
Available - Includes
Padlock & 2 Keys**

FEATURES:

- Five tiered steps to display liquor bottles.
- Steel straps secure bottles on steps.
- 7" backsplash.
- Stainless steel legs with adjustable stainless steel bullet feet.
- Optional stainless steel cover includes padlock and two keys.

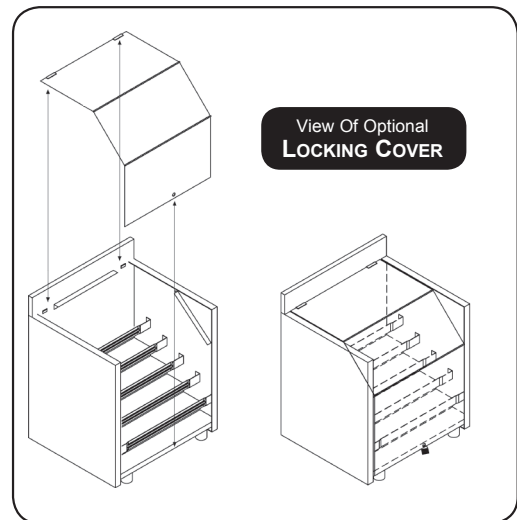
MATERIAL:

- Interior & Sides:** 20 gauge, 300 stainless steel
- Straps:** 18 gauge, 300 stainless steel
- Backsplash:** 22 gauge, 300 stainless steel
- Legs:** 1 5/8" O.D. 16 gauge stainless steel with 1" adjustable stainless steel bullet feet

OPTIONAL STAINLESS STEEL COVERS:

- Includes Padlock & Two Keys
- PRLC-12** - 12" removable stainless steel cover
- PRLC-18** - 18" removable stainless steel cover
- PRLC-24** - 24" removable stainless steel cover
- PRLC-30** - 30" removable stainless steel cover
- PRLC-36** - 36" removable stainless steel cover

25" WIDE Model #	Overall Length (A)	Approx. Bottle Capacity	Approx. Weight	Approx. Cu. Ft.
PRLR-12	12"	15	35 lbs.	7
PRLR-18	18"	20	36 lbs.	10
PRLR-24	24"	30	42 lbs.	13
PRLR-30	30"	35	47 lbs.	14
PRLR-36	36"	45	50 lbs.	15



Customer Service Available To Assist You 1-800-645-3166 8:30 am - 8:00 pm E.S.T.

For Orders & Customer Service:
Email: customer@advancetabco.com or Fax: 631-242-6900

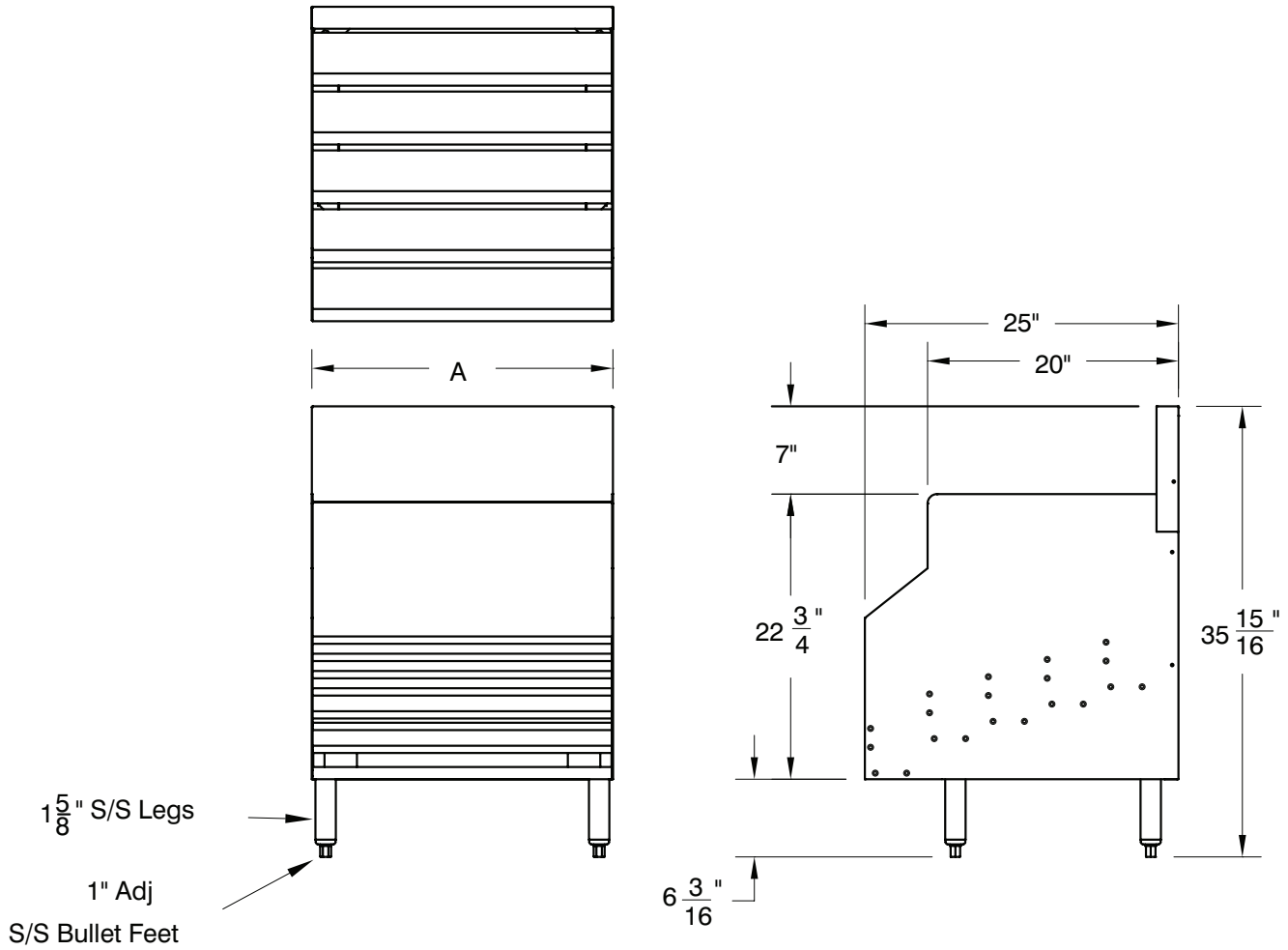
For Smart Fabrication™ Quotes:
Email: smartfab@advancetabco.com or Fax: 631-586-2933

DIMENSIONS and SPECIFICATIONS

TOL Overall: ± .500" Interior: ± .250"

ALL DIMENSIONS ARE TYPICAL

PRLR Series



Optional Stainless Steel Cover (PRLC Series)

