

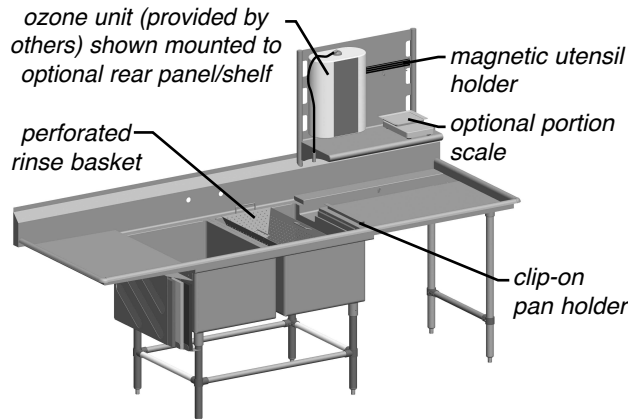


Profit from the Eagle Advantage®

# Specification Sheet

## Short Form Specifications

Eagle Spec-Master® FNP Series Two-Compartment Prep Sink, model \_\_\_\_\_. Unit constructed of 14/304, 18-8 stainless steel throughout. Sink bowls fabricated with a 5/8" radius, with 14" water level. Drainboard "V" creased for positive drainage. Prep area with 6"-wide slanted trough and two flush nozzles. 9 1/2" high backsplash with 1" upturn and tile edge. Legs are 1 1/2" O.D., stainless steel, with stainless steel gussets, stainless steel crossbracing and adjustable stainless steel bullet feet.



"R" model with trough and prep area at right end —shown with ozone unit (provided by others)

### Options / Accessories

- Lever drain
- Lever drain with overflow
- Twist handle drains
- Overflow hole
- Sink kits
- Faucets
- Polyboard sink covers
- Stainless steel sink covers
- Disposer collar
- Disposer switch bracket
- Undercounter refrigeration
- Waste disposal unit
- Trough nozzle flow controls
- Additional trough locations
- Portion scale
- Rear panel/shelf (factory-installed through backsplash)

### Features:

- Sink with prep area.
- Multi-polyboard assembly, affixed to sink bowl in drainboard area, includes three colored polyboards.
- Includes magnetic utensil holder, custom-fit rinse basket, and removable bun pan holder.

### EAGLE GROUP

100 Industrial Boulevard, Clayton, DE 19938-8903 USA

Phone: 302-653-3000 • Fax: 302-653-2065

www.eaglegrp.com

Foodservice Division: Phone 800-441-8440

MHC/Retail Display Divisions: Phone 800-637-5100

For custom configuration or fabrication needs, contact our SpecFAB® Division.

Phone: 302-653-3000 • Fax: 302-653-2065 • e-mail: quotes@eaglegrp.com

Item No.: \_\_\_\_\_  
 Project No.: \_\_\_\_\_  
 S.I.S. No.: \_\_\_\_\_

# Spec-Master® FNP Series Coved Corner Two-Compartment Prep Sinks

### MODELS:

- FNP2840-2-48TR
- FNP2840-2-48TL
- FNP2840-2-18L-48TR
- FNP2840-2-18R-48TL
- FNP2840-2-24L-48TR
- FNP2840-2-24R-48TL

### Top:

- Prep area with 6" (152mm)-wide slanted trough supplied with two flush nozzles.
- Optional rear panel/shelf is factory-installed through backsplash in prep area of sink (see illustration).
- Drainboard, prep area, backsplash and rolled rims are integrally welded 14 gauge type 304 stainless steel.
- All rolled edges are highlighted for enhanced appearance.
- 9 1/2" high backsplash with 1" upturn and tile edge.
- 1 1/8" (29mm) faucet holes punched on 8" (203mm) centers.

### Base:

- Legs: 1 1/2" (41mm)-diameter stainless steel tubing with stainless steel gussets and fully adjustable stainless steel bullet feet.
- Crossbracing: Adjustable, 1 1/4" (32mm)-diameter stainless steel; running left-to-right and front-to-back.
- Leg locations fall directly under sink bowl, providing increased stability and maximum weight support.
- Additional leg locations and crossbracing under prep area and drainboards longer than 24" (610mm).
- Leg gussets welded to a die-cut heavy-gauge stainless steel reinforcing corner plate.

### Sink Bowls:

- 14 gauge type 304 stainless steel.
- 14" (356mm) water level, 17" (432mm) flood level.
- Sink compartments fabricated with a 5/8" (41mm) radius, using state-of-the-art seamless welding techniques.
- Basket-type waste drain fits sink bowl's 3 1/2" (89mm) opening and features 1 1/2" (38mm) outlet.

### Certifications / Approvals



### AUTOQUOTES



EG20.61 Rev. 11/15

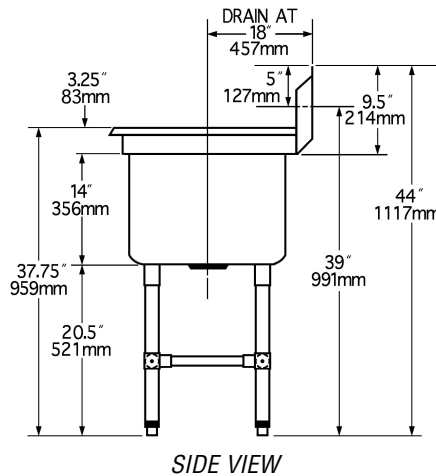
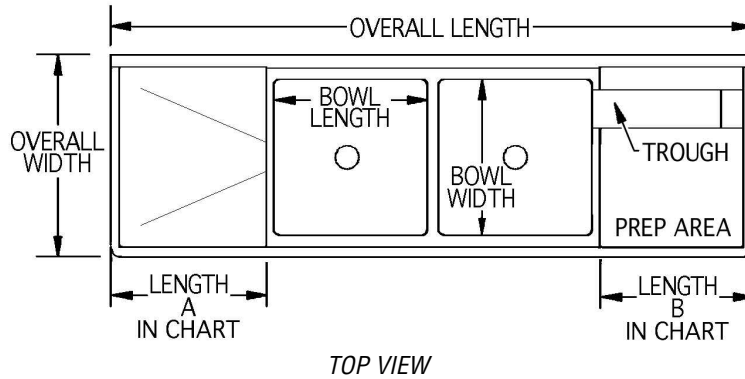
Spec sheets available for viewing, printing or downloading from our online literature library at [www.eaglegrp.com](http://www.eaglegrp.com)

Eagle Foodservice Equipment, Eagle MHC, SpecFAB®, and Retail Display are divisions of Eagle Group. ©2015 by the Eagle Group



Item No.: \_\_\_\_\_  
 Project No.: \_\_\_\_\_  
 S.I.S. No.: \_\_\_\_\_

# Spec-Master® FNP Series Coved Corner Prep Sinks —Two-Compartment



model #	trough & prep area located	BOWL DIMENSIONS				DRAIN-BOARD		PREP AREA		OVERALL DIMENSIONS			
		width		length		LENGTH A		LENGTH B		width		length	
		in.	mm	in.	mm	in.	mm	in.	mm	in.	mm	in.	mm
FNP2840-2-48TL	at left end	28"	711	20"	508	n/a		48"	1219	35"	889	93½"	2375
FNP2840-2-48TR	at right end	28"	711	20"	508	n/a		48"	1219	35"	889	93½"	2375
FNP2840-2-18R-48TL	at left end	28"	711	20"	508	18"	457	48"	1219	35"	889	110"	2794
FNP2840-2-18L-48TR	at right end	28"	711	20"	508	18"	457	48"	1219	35"	889	110"	2794
FNP2840-2-24R-48TL	at left end	28"	711	20"	508	24"	610	48"	1219	35"	889	116"	2946
FNP2840-2-24L-48TR	at right end	28"	711	20"	508	24"	610	48"	1219	35"	889	116"	2946

Units with 30" and 36" drainboards ("LENGTH A") also available.

**EAGLE GROUP**  
 100 Industrial Boulevard, Clayton, DE 19938-8903 USA  
 Phone: 302-653-3000 • Fax: 302-653-2065  
 www.eaglegrp.com

Foodservice Division: Phone 800-441-8440  
 MHC/Retail Display Divisions: Phone 800-637-5100

Printed in U.S.A.  
 ©2015 by Eagle Group

Rev. 11/15

Spec sheets available for viewing, printing or downloading from our online literature library at [www.eaglegrp.com](http://www.eaglegrp.com)

Although every attempt has been made to ensure the accuracy of the information provided, we cannot be held responsible for typographical or printing errors. Information and specifications are subject to change without notice. Please confirm at time of order.