



# Admiral Craft

Equipment Corp.

**NOW IN STOCK!**

## BOOST IMPULSE SALES

*with*  
Countertop Display Refrigerators  
by Admiral Craft



CDRF-1D/1.5



CDRF-1D/2



CDRF-1D/2.7



CDRF-1D/4

## FEATURES

- Compact countertop design
- Brilliant LED lighting illuminates contents
- Eye-catching lighted merchandising sign
- Single glass door for optimal display
- Durable black coated steel exterior
- Eco-friendly R600a refrigerant
- Adjustable, epoxy-coated shelves
- Manual defrost system
- Mechanical temperature controller
- Temperature range 33°F-40°F

MODEL #	CDRF-1D/1.5	CDRF-1D/2	CDRF-1D/2.7	CDRF-1D/4
Doors	1	1	1	1
Shelves	2	2	3	3
Net Volume (Cu. Ft.)	1.5 Cu. Ft.	2 Cu. Ft.	2.7 Cu. Ft.	4.2 Cu. Ft.
Temperature Range (F)	32°F - 50°F	32°F - 50°F	32°F - 50°F	32°F - 50°F
Overall Dimensions (in.)	15.75"W × 15.75"D × 28"H	16.5"W × 17.5"D × 30.5"H	18.1"W × 18"D × 36"H	19.7"W × 20.8"D × 40.6"H
Interior Dimensions (in.)	12.75"W × 11"D × 17.75"H	13.8"W × 12.8"D × 20.3"H	14.5"W × 12.8"D × 25.5"H	16.5"W × 15.75"D × 30"H
Horsepower	1/10	1/10	1/10	1/5
Refrigerant	R600a	R600a	R600a	R600a
Voltage/Hertz/Phase	110/60/1	110/60/1	110/60/1	110/60/1
Amps	1.6	1.6	1.9	2.2
Net Weight (lbs)	42 lbs	48.5 lbs	61.7 lbs	79.5 lbs
Gross Weight (lbs)	46.3 lbs	55 lbs	68.3 lbs	86 lbs
Shipping Weight	100 lbs	110 lbs	120 lbs	140 lbs

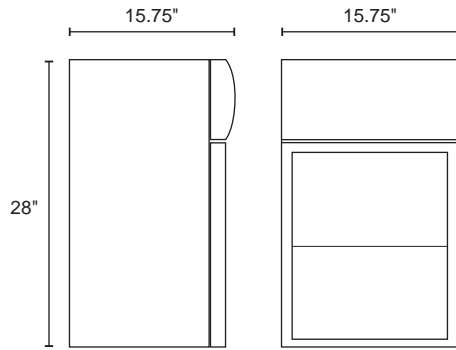
\*Shipping weight includes protective packaging and skid

CALL FOR MORE INFO: 1.516.433.3535

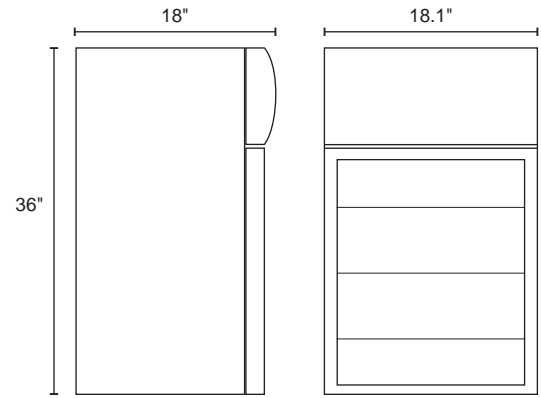
[www.admiralcraft.com](http://www.admiralcraft.com)

# Countertop Display Refrigerators

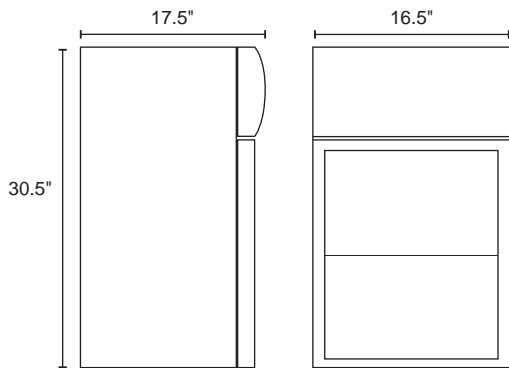
by Admiral Craft



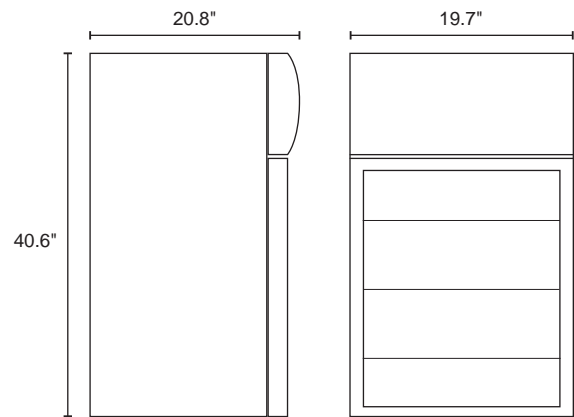
CDRF-1D/1.5



CDRF-1D/2.7



CDRF-1D/2



CDRF-1D/4

## REFRIGERATION SYSTEM

- Environmentally-friendly R600a refrigerant
- Maintains a temperature range of 33°F-40°F
- Manual defrost system
- Top-mounted condensor

## TEMPERATURE CONTROL

- Mechanical temperature controller makes it easy to adjust the internal temperature

## CABINET CONSTRUCTION

- Durable black coated steel exterior
- Strong ABS plastic interior
- Foamed-in-place polyurethane insulation for temperature retention

## DOORS

- Full-length glass door is great for displaying bottled drinks or prepackaged snacks

## SHELVING

- Adjustable epoxy-coated shelves allow you to organize the interior to meet your needs

## MODEL FEATURES

- Compact, countertop design provides customers with an eye-level view of contents
- Brilliant LED lighting illuminates contents for optimal display
- Eye-catching lighted merchandising sign attracts customers
- Lock and key prevent tampering and theft
- Operates in ambient temperature of up to 90°F

## Warranty

These Refrigerators are backed by a one-year repair or replace warranty