



DROP-IN WATER STATION



FEATURES:

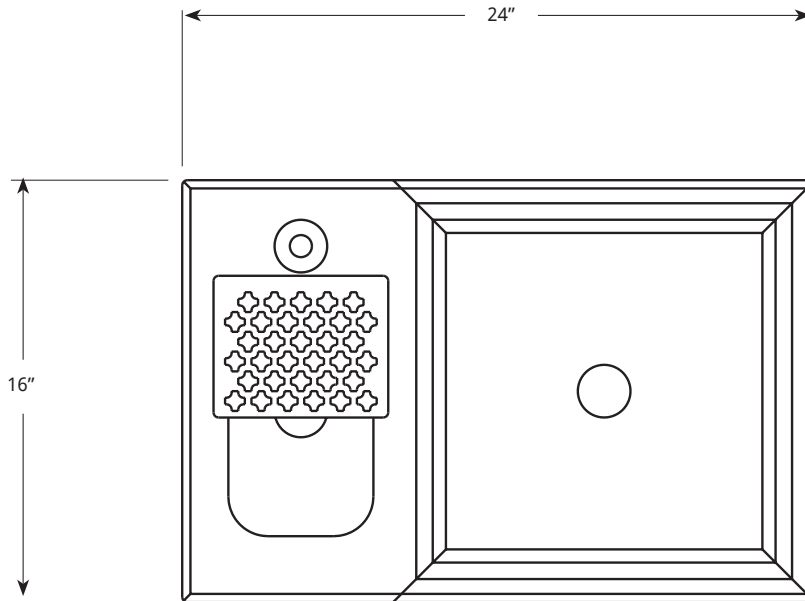
- 18 Gauge 304 Stainless Steel Welded and Polished Top Assembly
- Fully Insulated Ice Chest with 30 lb. Storage Capacity and 304 Stainless Steel Ice Chest Liner with 1 1/2" Drain. Exterior of Ice Chest Constructed of Corrosion-Resistant Galvannealed Steel.
- Welded Studs Provided for a Secure Easy Countertop Installation
- Water Station has 9"x5"x6" Sink with 1 1/2" Standard Drain
- 8" Pedestal Mount Low Lead Compliant Faucet, Push Back Type, Glass Filler, Instantaneous Shutoff, 1/2" IPS
- 304 Stainless Steel Removable Anti-Splash Grid
- 304 Stainless Steel Two-Piece Removable Cover
- 12" Insulated Ice Bin
- Constructed to Meet NSF Specifications

MODEL NUMBERS:

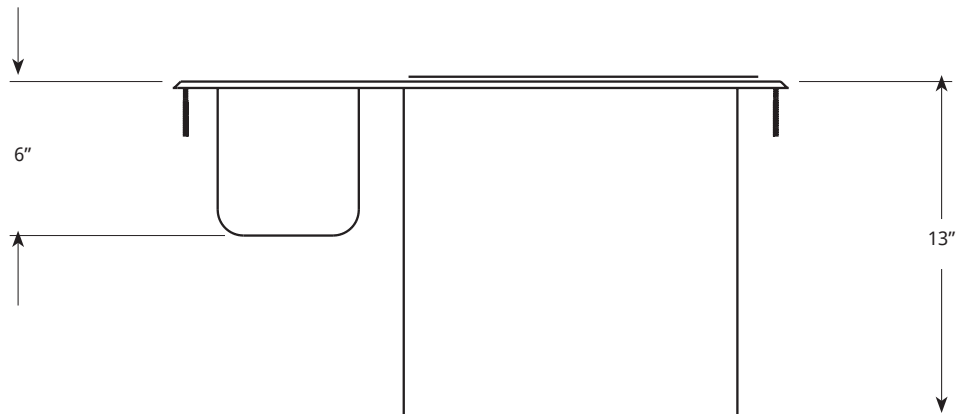
Description	Model
Drop-In Bin w/Waterstation	DI-WS-IB

DROP-IN WATER STATION

TOP VIEW:



FRONT VIEW:



Note: For counter cut out, subtract 2 5/8" from length and depth dimensions.

Verify exact dimensions with finished product before making counter cut out.

LaCrosse has a policy of continuous product improvement,
and reserves the right to change design and specifications without notice.

L#1033.1016