

Project: _____	AIA# _____
Item #: _____ Qty: _____	SIS# _____
Model #: _____	

Portable Bar for Stackable Cups with Space for Refrigerator

PBCR72-12, PBCR78-12, PBCR78-18, PBCR84-12, PBCR84-18, PBCR90-12, PBCR90-18, PBCR96-12, PBCR96-18



PBCR72-12



To view cleaning and care instructions, please visit:
https://www.glastender.com/PDF/F-423-011_ss_clean_care.pdf

Standard Features

- Weather resistant stainless steel construction.
- Stainless steel bottle rail with PVC plastic sound deadening cover. Rail includes clear snap-on liquor identification label cover.
- Cup storage well for three rows up to 4-1/4" in diameter. Holds approximately 180 Solo® 16-oz cups.
- Cocktail ice bin with sliding cover and condiment cup area. Rear condiment area has hinged stainless steel sanitary cover with three (12") or four (18") cups.
- Iced beverage storage bin with separate drain to prevent contamination of ice used to make cocktails. Drain includes flexible hose and on/off valve for draining when convenient.
- Eco friendly foamed-in-place insulation has zero impact on global warming or ozone depletion and a PVC plastic breaker strip around ice bin liners prevent thermal transfer from outside the ice bin so ice lasts longer.
- 6-gallon plastic drain tank with on-off valve to collect melting ice water from cocktail bin.
- Six 4" heavy-duty rubberized casters. The two bartender side corner casters are locking.
- Stainless steel front and side panels are welded to the 16-gauge stainless steel base for incredible durability.
- Stainless steel bar top and front and side panels have a plastic honey comb core for durability and sound deadening.
- Stylish feathered jewel finish on bar top hides scratches.

Specifications

Cup Storage Well

- 4-1/4"w by 15"d by 10-1/2"h
- 3 rows front to back, approximately 180 cup capacity

Cocktail Bin Liner

- 12" model: 10"w by 15"d by 10-1/2"h, 33 lbs ice capacity
- 18" model: 16"w by 15"d by 10-1/2"h, 50 lbs ice capacity

Plastic Drain Tank

- Collects waste water from cocktail bin. An air gap prevents back up into ice bin.
- Includes on/off drain valve
- Slides out for draining

Condiment Area

- 12" cocktail bin: 3 cups
- 18" cocktail bin: 4 cups

Casters

- Six 4" heavy -duty rubberized casters
- The two corner bartender side casters are locking

Iced Beverage Bin Liner

- PBCR72-12 model: 10"w by 15"d by 10-1/2"h
- PBCR78-12 model: 16"w by 15"d by 10-1/2"h
- PBCR78-18 model: 10"w by 15"d by 10-1/2"h
- PBCR84-12 model: 22"w by 15"d by 10-1/2"h

- PBCR84-18 model: 16"w by 15"d by 10-1/2"h
- PBCR90-12 model: 28"w by 15"d by 10-1/2"h
- PBCR90-18 model: 22"w by 15"d by 10-1/2"h
- PBCR96-12 model: 34"w by 15"d by 10-1/2"h
- PBCR96-18 model: 28"w by 15"d by 10-1/2"h

Materials

- 20 gauge stainless steel parts include: all components except as listed below.
- 18 gauge stainless steel parts include: bar top and bar top belly pan.
- 16 gauge stainless steel parts include: base and base stiffener channels.
- 14 gauge stainless steel parts include: drain tank mounting angle and bar top mounting angles.
- PVC plastic parts include: breaker strip around ice bin liners and speed rail step and rail covers.

Refrigerator Area

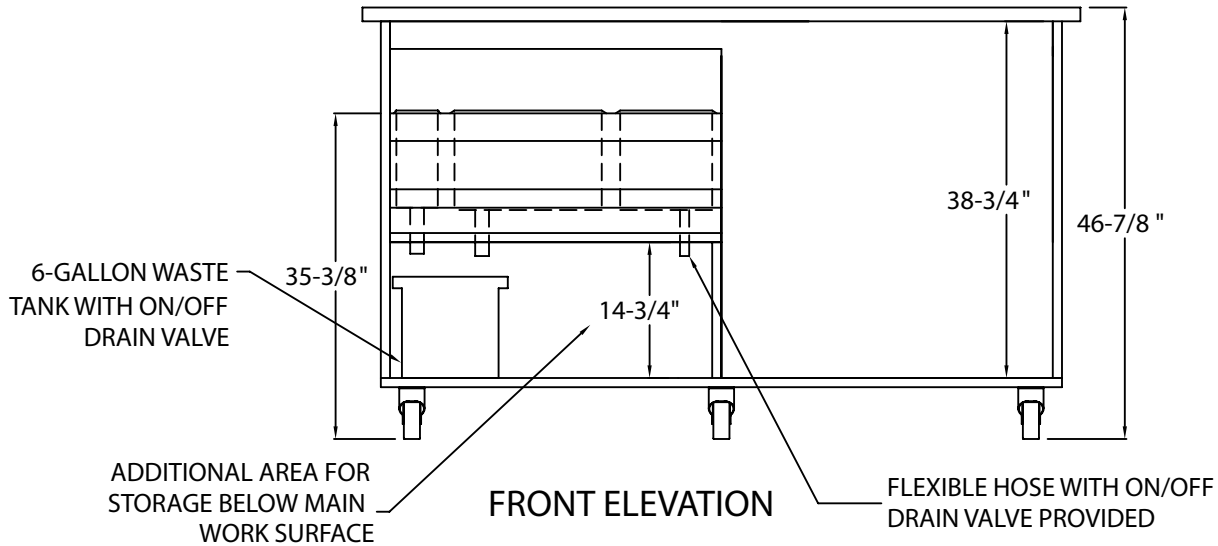
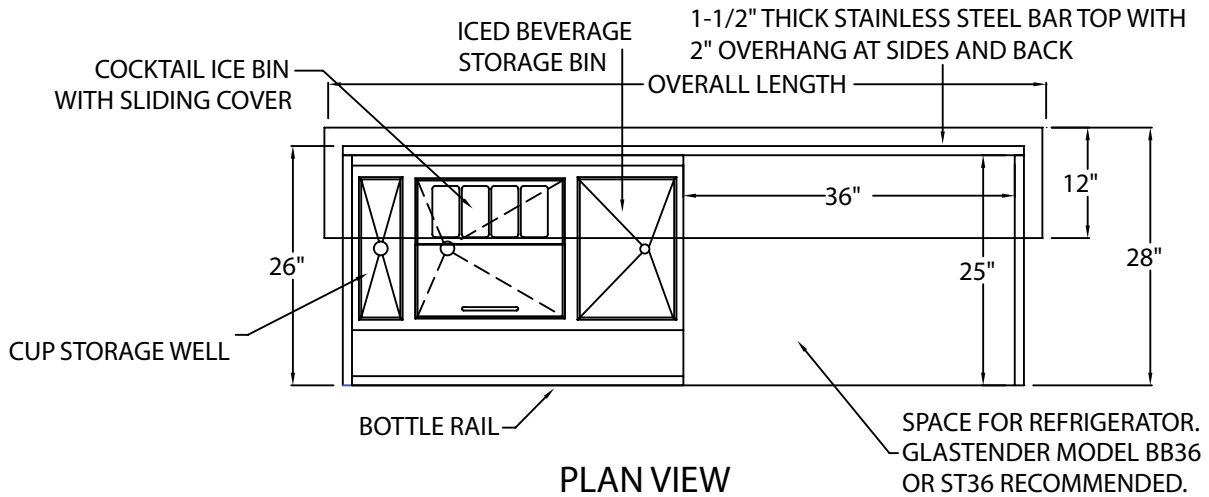
- 36"w by 25"d by 38-1/4"h
- Refrigerator not included. Glastender model C1FB36 or ST36 recommended.
- If non-Glastender refrigerator is being used, verify power cord can exit the front of the 36" opening.

Glastender, Inc. • 5400 N Michigan Rd • Saginaw, MI • 48604-9780 989.752.4275 • 800.748.0423 • Fax 989.752.4444 www.glastender.com	Approval/Notes:
--	-----------------

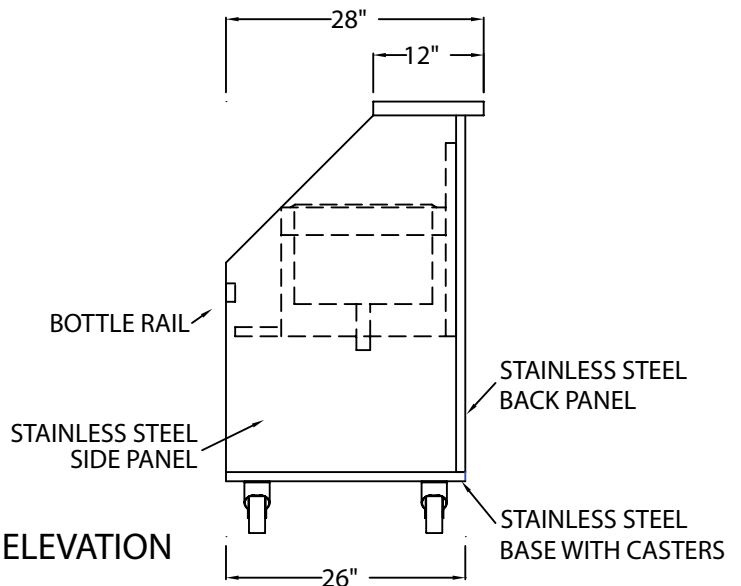
Specifications subject to change without notice. For current specifications please visit our website.

Portable Bar for Stackable Cups With Space For Refrigerator

Dimensional Information



	CUP WELL	COCKTAIL ICE BIN	BEVERAGE BIN	OVERALL LENGTH
PBCR72-12	6"	12"	12"	72"
PBCR78-12	6"	12"	18"	78"
PBCR78-18	6"	18"	12"	78"
PBCR84-12	6"	12"	24"	84"
PBCR84-18	6"	18"	18"	84"
PBCR90-12	6"	12"	30"	90"
PBCR90-18	6"	18"	24"	90"
PBCR96-12	6"	12"	36"	96"
PBCR96-18	6"	18"	30"	96"



5400 N Michigan Rd • Saginaw, MI • 48604-9780
 989.752.4275 • 800.748.0423 • Fax 989.752.4444
www.glastender.com