



STAINLESS STEEL  
**WORK TABLES**

**SUPER SAVER Series - 1 1/2" Splash - OPEN BASE Style**



Item #: \_\_\_\_\_ Qty #: \_\_\_\_\_  
 Model #: \_\_\_\_\_  
 Project #: \_\_\_\_\_



**Rolled Rim Edges  
on Front and Splash  
on Back and Square  
Side Edges**



**1-5/8" LEG STRETCHERS  
Ensure Stability**

**FEATURES:**

Top is furnished with a 1 5/8" sanitary rolled rim edge on front and square sides, and a 1 1/2" splash of single metal thickness on the rear side.

TWO hat channels stud welded to reinforce and maintain a level working surface. 30" and 36" wide tables supplied with THREE hat channels.

Pre-engineered welded angle adapters insure ease of future drawer installation.

Front to back Stretchers are welded to legs. Left to right Stretcher bolted to legs and requires assembly.

**CONSTRUCTION:**

All TIG welded. Exposed weld areas polished to match adjacent surfaces.

Entire top mechanically polished to a satin finish.

Top is sound deadened.

Roll formed embossed galvanized hat channels are secured to top by means of structural adhesive and weld studs.

Gussets welded to support hat sections.

**MATERIAL:**

**TSFG-SERIES: Stainless Steel Legs - Open Base**

**TOP:** 16 gauge stainless steel type "430" series.

**STRETCHERS:** 1 5/8" dia. tubular stainless steel.

**LEGS:** 1 5/8" diameter tubular stainless steel.  
1" adjustable stainless steel bullet feet.  
Stainless steel gussets.

**TFAG-SERIES: Galvanized Legs - Open Base**

**TOP:** 16 gauge stainless steel type "430" series.

**STRETCHERS:** 1 5/8" dia. tubular galvanized steel.

**LEGS:** 1 5/8" diameter tubular galvanized steel.  
1" adjustable plastic bullet feet.  
Galvanized steel gussets.

**TSFG-Series:  
Stainless Steel Legs & Stretchers**

L	24" Wide	30" Wide	36" Wide
30"	TSFG-240	TSFG-300	
24"	TSFG-242	TSFG-302	
36"	TSFG-243	TSFG-303	TSFG-363
48"	TSFG-244	TSFG-304	TSFG-364
60"	TSFG-245	TSFG-305	TSFG-365
72"	TSFG-246	TSFG-306	TSFG-366
84"	TSFG-247	TSFG-307	TSFG-367
96"	TSFG-248	TSFG-308	TSFG-368
108"	TSFG-249	TSFG-309	TSFG-369
120"	TSFG-2410	TSFG-3010	TSFG-3610
132"	TSFG-2411	TSFG-3011	TSFG-3611
144"	TSFG-2412	TSFG-3012	TSFG-3612

**TFAG-Series:  
Galvanized Steel Legs & Stretchers**

L	24" Wide	30" Wide	36" Wide
30"	TFAG-240	TFAG-300	
24"	TFAG-242	TFAG-302	
36"	TFAG-243	TFAG-303	TFAG-363
48"	TFAG-244	TFAG-304	TFAG-364
60"	TFAG-245	TFAG-305	TFAG-365
72"	TFAG-246	TFAG-306	TFAG-366
84"	TFAG-247	TFAG-307	TFAG-367
96"	TFAG-248	TFAG-308	TFAG-368
108"	TFAG-249	TFAG-309	TFAG-369
120"	TFAG-2410	TFAG-3010	TFAG-3610
132"	TFAG-2411	TFAG-3011	TFAG-3611
144"	TFAG-2412	TFAG-3012	TFAG-3612



**Create Your Own Efficient Workstation with the Available Standard Accessories (Visit Section**



**Customer Service Available To Assist You 1-800-645-3166 8:30 am - 7:00 pm E.S.T.**

Email Orders To: customer@advancetabco.com. For Smart Fabrication™ Quotes, Email To: smartfab@advancetabco.com or Fax To: 631-586-2933

**NEW YORK**  
Fax: (631) 242-6900

**GEORGIA**  
Fax: (770) 775-5625

**TEXAS**  
Fax: (972) 932-4795

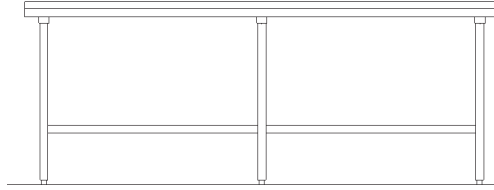
**NEVADA**  
Fax: (775) 972-1578

# DIMENSIONS and SPECIFICATIONS

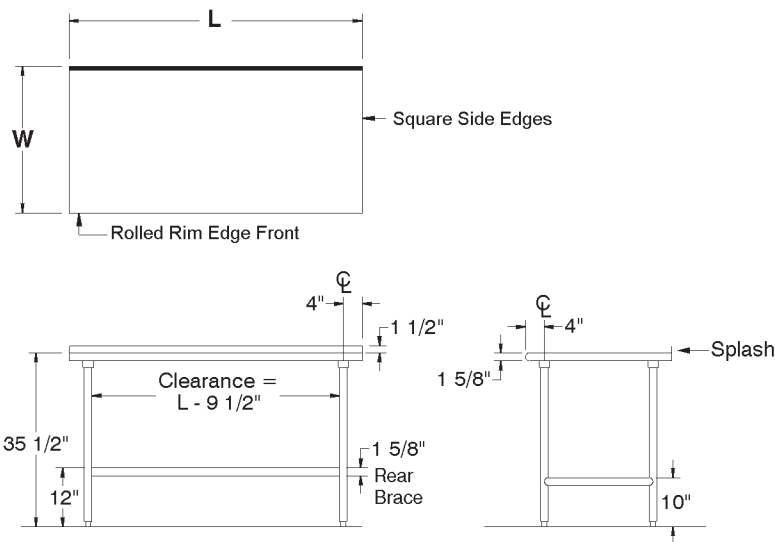
ALL DIMENSIONS ARE TYPICAL TOL ± .500"

All Units Shipped Unassembled (KD) for Reduced Shipping Costs.

## TSFG & TFAG Series OPEN BASE Style 1 1/2" Backsplash



Units 8ft. and larger are furnished with six (6) legs



### TSFG-Series: Stainless Steel Legs & Stretchers

L	24" Wide	Wt.	30" Wide	Wt.	36" Wide	Wt.
30"	TSFG-240	42 lbs.	TSFG-300	52 lbs.		
24"	TSFG-242	25 lbs.	TSFG-302	47 lbs.		
36"	TSFG-243	53 lbs.	TSFG-303	59 lbs.	TSFG-363	70 lbs.
48"	TSFG-244	64 lbs.	TSFG-304	72 lbs.	TSFG-364	77 lbs.
60"	TSFG-245	74 lbs.	TSFG-305	85 lbs.	TSFG-365	91 lbs.
72"	TSFG-246	85 lbs.	TSFG-306	93 lbs.	TSFG-366	103 lbs.
84"	TSFG-247	103 lbs.	TSFG-307	113 lbs.	TSFG-367	122 lbs.
96"	TSFG-248	114 lbs.	TSFG-308	126 lbs.	TSFG-368	135 lbs.
108"	TSFG-249	130 lbs.	TSFG-309	150 lbs.	TSFG-369	160 lbs.
120"	TSFG-2410	227 lbs.	TSFG-3010	242 lbs.	TSFG-3610	253 lbs.
132"	TSFG-2411	251 lbs.	TSFG-3011	268 lbs.	TSFG-3611	282 lbs.
144"	TSFG-2412	266 lbs.	TSFG-3012	283 lbs.	TSFG-3612	297 lbs.

### TFAG-Series: Galvanized Steel Legs & Stretchers

L	24" Wide	Wt.	30" Wide	Wt.	36" Wide	Wt.
30"	TFAG-240	42 lbs.	TFAG-300	52 lbs.		
24"	TFAG-242	25 lbs.	TFAG-302	47 lbs.		
36"	TFAG-243	53 lbs.	TFAG-303	59 lbs.	TFAG-363	70 lbs.
48"	TFAG-244	64 lbs.	TFAG-304	72 lbs.	TFAG-364	77 lbs.
60"	TFAG-245	74 lbs.	TFAG-305	85 lbs.	TFAG-365	91 lbs.
72"	TFAG-246	85 lbs.	TFAG-306	93 lbs.	TFAG-366	103 lbs.
84"	TFAG-247	103 lbs.	TFAG-307	113 lbs.	TFAG-367	122 lbs.
96"	TFAG-248	114 lbs.	TFAG-308	126 lbs.	TFAG-368	135 lbs.
108"	TFAG-249	130 lbs.	TFAG-309	150 lbs.	TFAG-369	160 lbs.
120"	TFAG-2410	227 lbs.	TFAG-3010	242 lbs.	TFAG-3610	253 lbs.
132"	TFAG-2411	251 lbs.	TFAG-3011	268 lbs.	TFAG-3611	282 lbs.
144"	TFAG-2412	266 lbs.	TFAG-3012	283 lbs.	TFAG-3612	297 lbs.

