



Profit from the Eagle Advantage®

# Specification Sheet

## Short Form Specifications

Eagle Clean Dishtables, model \_\_\_\_\_. Top to be 16/430, 16/304, or 14/304 stainless steel, with all seams welded, ground smooth, and polished. Front and ends to have 3"-high upturn with 1/2"-diameter rolled edge. Galvanized hat channels welded to underside. Backsplash is 8"-high. 20 1/2" standard opening for dishwasher. Legs to be 1 1/2" O.D. galvanized tubing, 1" diameter crossbracing and adjustable bullet feet (14/304 models come standard with stainless steel hat channels welded to underside of table, stainless steel crossbraced legs, and adjustable metal feet).



right-hand model

## Options / Accessories \*

- Undershelf
- Stainless steel legs
- Stainless steel gussets
- Stainless steel feet

\* See Spec Sheet #EG50.07 for full line of options and accessories.

**EAGLE GROUP**  
100 Industrial Boulevard, Clayton, DE 19938-8903 USA  
Phone: 302-653-3000 • Fax: 302-653-2065  
www.eaglegrp.com

**Foodservice Division: Phone 800-441-8440**  
**MHC/Retail Display Divisions: Phone 800-637-5100**

For custom configuration or fabrication needs, contact our **SpecFAB® Division**.  
Phone: 302-653-3000 • Fax: 302-653-2065 • e-mail: quotes@eaglegrp.com

**Spec sheets available for viewing, printing or downloading from our online literature library at [www.eaglegrp.com](http://www.eaglegrp.com)**

Eagle Foodservice Equipment, Eagle MHC, SpecFAB®, and Retail Display are divisions of Eagle Group. ©2017 by the Eagle Group

Item No.:	_____
Project No.:	_____
S.I.S. No.:	_____

# Clean Dishtables— Island Design

## MODELS:

- |   |   |  |
|---|---|--|
| <input type="checkbox"/> CDTCIL-48-16/4 | <input type="checkbox"/> CDTCIL-72-16/4 | <input type="checkbox"/> CDTCIL-108-16/4 |
| <input type="checkbox"/> CDTCIL-48-16/3 | <input type="checkbox"/> CDTCIL-72-16/3 | <input type="checkbox"/> CDTCIL-108-16/3 |
| <input type="checkbox"/> CDTCIL-48-14/3 | <input type="checkbox"/> CDTCIL-72-14/3 | <input type="checkbox"/> CDTCIL-108-14/3 |
| <input type="checkbox"/> CDTCIR-48-16/4 | <input type="checkbox"/> CDTCIR-72-16/4 | <input type="checkbox"/> CDTCIR-108-16/4 |
| <input type="checkbox"/> CDTCIL-48-16/3 | <input type="checkbox"/> CDTCIR-72-16/3 | <input type="checkbox"/> CDTCIR-108-16/3 |
| <input type="checkbox"/> CDTCIL-48-14/3 | <input type="checkbox"/> CDTCIR-72-14/3 | <input type="checkbox"/> CDTCIR-108-14/3 |
| <input type="checkbox"/> CDTCIL-60-16/4 | <input type="checkbox"/> CDTCIL-96-16/4 | <input type="checkbox"/> CDTCIL-120-16/4 |
| <input type="checkbox"/> CDTCIL-60-16/3 | <input type="checkbox"/> CDTCIL-96-16/3 | <input type="checkbox"/> CDTCIL-120-16/3 |
| <input type="checkbox"/> CDTCIL-60-14/3 | <input type="checkbox"/> CDTCIL-96-14/3 | <input type="checkbox"/> CDTCIL-120-14/3 |
| <input type="checkbox"/> CDTCIR-60-16/4 | <input type="checkbox"/> CDTCIR-96-16/4 | <input type="checkbox"/> CDTCIR-120-16/4 |
| <input type="checkbox"/> CDTCIR-60-16/3 | <input type="checkbox"/> CDTCIR-96-16/3 | <input type="checkbox"/> CDTCIR-120-16/3 |
| <input type="checkbox"/> CDTCIR-60-14/3 | <input type="checkbox"/> CDTCIR-96-14/3 | <input type="checkbox"/> CDTCIR-120-14/3 |

## Design and Construction Features

- Corner design, left or right operation.
- 14 or 16 gauge stainless steel.
- Polished stainless steel worksurface.
- 30" (762mm)-wide table furnished in lengths ranging from 48" to 120" (1219 to 3048mm).
- 1 1/2" (38mm) raised rolled rim on front and end.
- 1 5/8" (41mm)-diameter galvanized legs with welded 1" (25mm)-diameter crossbracing.
- 8" (203mm)-high backsplash.
- Table has lip to fit most standard dishwashers.
- Adjustable non-marking bullet feet with up to 1" (25mm) adjustment.
- All Spec-Master® 14 gauge type 304 dishtables come standard with stainless steel crossbraced legs and gussets, complete with metal feet.

<b>Certifications / Approvals</b>

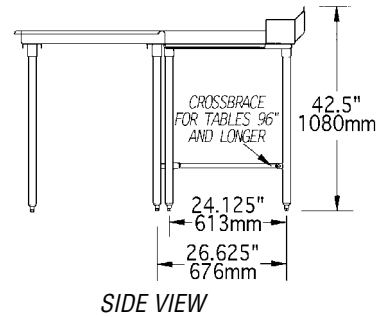
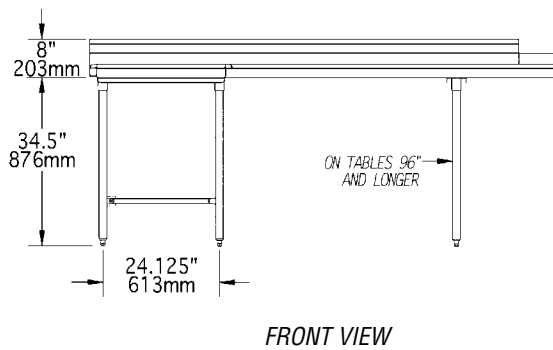
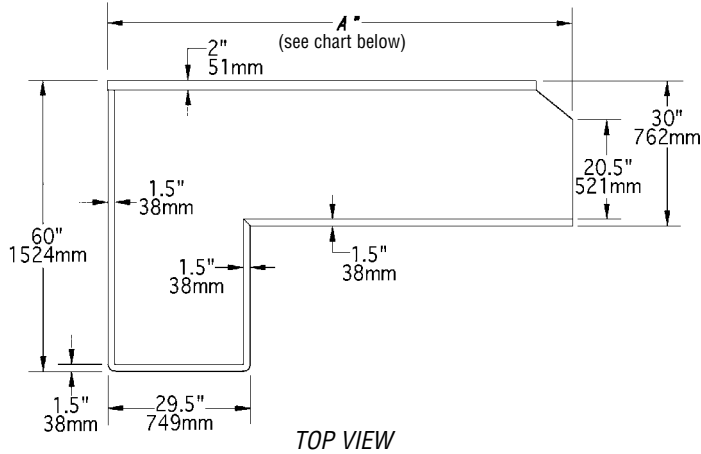
AutoQuotes



Profit from the Eagle Advantage®

Item No.: \_\_\_\_\_  
 Project No.: \_\_\_\_\_  
 S.I.S. No.: \_\_\_\_\_

# Clean Dishtables—Island Design



16 gauge type 430 model #	16 gauge type 304 model #	Spec-Master® 14 gauge type 304 model #	description	length (Dimension A)		weight	
				in.	mm	lbs.	kg
CDTCIL-48-16/4	CDTCIL-48-16/3	CDTCIL-48-14/3	left-hand model	48"	1219	118	53.5
CDTCIR-48-16/4	CDTCIR-48-16/3	CDTCIR-48-14/3	right-hand model	48"	1219	118	53.5
CDTCIL-60-16/4	CDTCIL-60-16/3	CDTCIL-60-14/3	left-hand model	60"	1524	128	58.1
CDTCIR-60-16/4	CDTCIR-60-16/3	CDTCIR-60-14/3	right-hand model	60"	1524	128	58.1
CDTCIL-72-16/4	CDTCIL-72-16/3	CDTCIL-72-14/3	left-hand model	72"	1829	138	62.6
CDTCIR-72-16/4	CDTCIR-72-16/3	CDTCIR-72-14/3	right-hand model	72"	1829	138	62.6
CDTCIL-96-16/4	CDTCIL-96-16/3	CDTCIL-96-14/3	left-hand model	96"	2438	157	71.2
CDTCIR-96-16/4	CDTCIR-96-16/3	CDTCIR-96-14/3	right-hand model	96"	2438	157	71.2
CDTCIL-108-16/4	CDTCIL-108-16/3	CDTCIL-108-14/3	left-hand model	108"	2743	172	78.0
CDTCIR-108-16/4	CDTCIR-108-16/3	CDTCIR-108-14/3	right-hand model	108"	2743	172	78.0
CDTCIL-120-16/4	CDTCIL-120-16/3	CDTCIL-120-14/3	left-hand model	120"	3048	184	83.5
CDTCIR-120-16/4	CDTCIR-120-16/3	CDTCIR-120-14/3	right-hand model	120"	3048	184	83.5

**EAGLE GROUP**  
 100 Industrial Boulevard, Clayton, DE 19938-8903 USA  
 Phone: 302-653-3000 • Fax: 302-653-2065  
 www.eaglegrp.com

Foodservice Division: Phone 800-441-8440  
 MHC/Retail Display Divisions: Phone 800-637-5100

Printed in U.S.A.  
 ©2017 by Eagle Group

Rev. 11/17

Spec sheets available for viewing, printing or downloading from our online literature library at [www.eaglegrp.com](http://www.eaglegrp.com)

Although every attempt has been made to ensure the accuracy of the information provided, we cannot be held responsible for typographical or printing errors. Information and specifications are subject to change without notice. Please confirm at time of order.