



# FlexiShield® Food Shields

Glass Front, Slicer Shield Style

Project \_\_\_\_\_

Item \_\_\_\_\_

Quantity \_\_\_\_\_

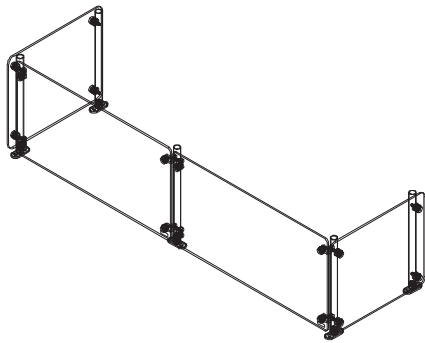
CSI Section 11400

Approved \_\_\_\_\_

Date \_\_\_\_\_

## Models

- DCFSSS Available in 1" increments up to 120" long



DCFSSS

## Standard Features

- Mostly glass display allows you to see product from every angle
- 1" stainless steel legs
- Meets 2011 NSF requirements
- Flange mounted foot makes installation easy
- Comes fully assembled from the factory
- Standard end glass
- One year parts and labor standard warranty

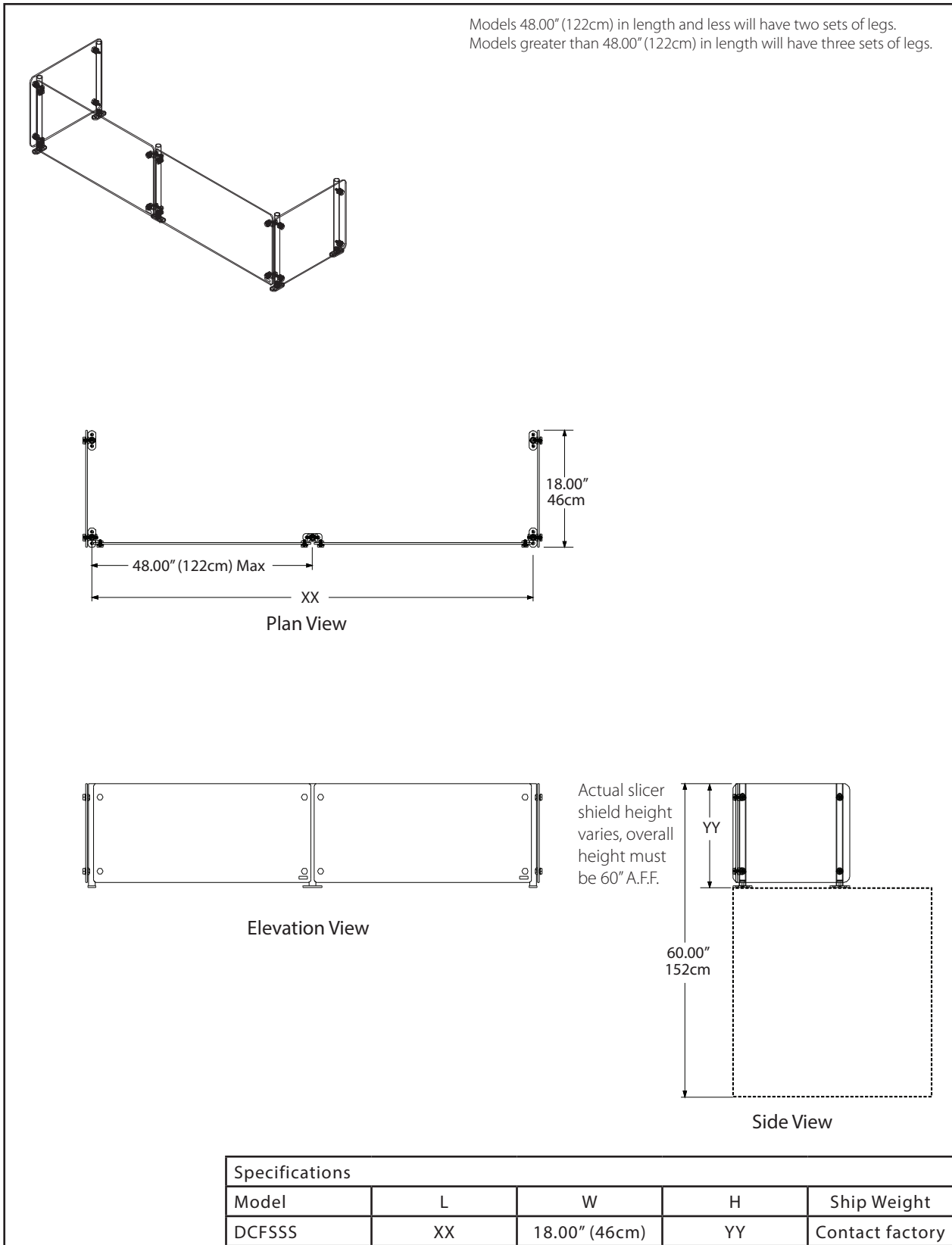
## Options & Accessories

- Black powder coat

## Specifications

1" stainless steel legs and flanged feet are standard. Models 48.00" (122cm) in length and less will have two sets of legs. Models greater than 48.00" (122cm) in length will have three sets of legs. End glass is 1/4" tempered. Front glass is 1/4" tempered. Chrome plated hardware standard.





Delfield reserves the right to make changes to the design or specifications without prior notice.