



Project _____

Item # _____

Quantity _____

Cold Simulated Stone[▲] Shelves Built-In Flush Top

Models: CSSBF-24-F, -24-I, -24-S, -36-F, -36-I, -36-S,
-48-F, -48-I, -48-S*

CSSBFR-24-F, -24-I, -24-S, -36-F, -36-I, -36-S,
-48-F, -48-I, -48-S

CSSBFX-24-F, -24-I, -24-S, -36-F, -36-I, -36-S,
-48-F, -48-I, -48-S

Hatco's Cold Simulated Stone[▲] Shelves Built-In Flush Top are designed to keep your products in the perfect chill zone.

They are a must for buffet lines in cafeterias, restaurants and much more! These sturdy, foodsafe shelves are available in three attractive simulated stone colors.

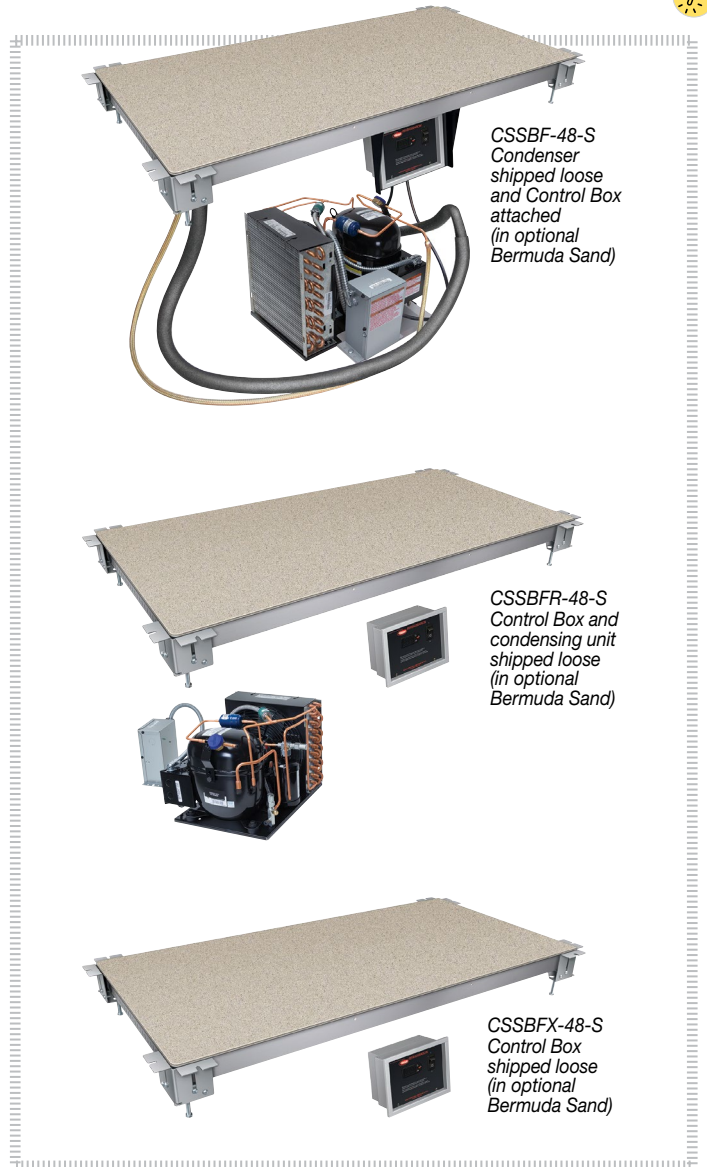
The CSSBFR, CSSBFX Remote (R or X) models have the added benefit of offering design flexibility for fabricators.

Standard features

- CSSBF units have unattached Condenser, attached Control Box
CSSBFR units have unattached Condenser and Control Box
CSSBFX units have no Condenser (condenser supplied by others) and unattached Control Box
- CSSBF(R) condensers utilize R-513A refrigerant
CSSBFX models allow shelves to be cooled with other refrigerants
- Condensing unit features easy serviceability with sight glass, service valves, dryer/filter and receiver (CSSB, CSSBR models only)
- CSSBF models offer a long, flexible, refrigerant line which allows condensing unit to be pulled out for service
- With CSSBF models, condensing unit may be mounted up to 4' (1219 mm) away from the center of shelf
- Patented thermal break reduces condensation and temperature transfer on adjacent surfaces
- All units have an Electronic Temperature Control Box with a 4' (1219 mm) lead wire (Standard)
- Control box can be mounted on the front of the cabinet, 4' (1219 mm) from center of shelf
- All models are bottom mount units, flush to countertop
- Models shipped with a shelf assembly with a temperature probe, assembled TXV valve (shipped loose on CSSBFR, CSSBFX models), control box (shipped loose on CSSBFR, CSSBFX models), liquid line solenoid valve attached to the shelf (CSSBFX models only) and CSSBF, CSSBFR models include a condensing unit (CSSBF shipped attached, CSSBFR shipped loose)
- All models not available with CE Mark

[▲] Models with simulated stone are Swanstone[®].

* CSSBF models available in Domestic, Canadian and Export USD Price Lists only.



Options (available at time of purchase only)

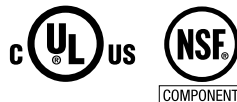
Simulated stone[▲] color – Night Sky Standard – Non-standard colors are

- non-returnable
- Gray Granite Bermuda Sand

Additional four year parts only warranty on the compressor available at time of purchase (U.S. and Canada only)

Longer cord - allows Control Box to be located 7.5' (2286 mm) from unit – 4' (1219 mm) Standard (CSSBF Export models only)

CSSBF models only:



For operation, location and safety information, please refer to the Installation and Operating Manual.

HATCO CORPORATION | P.O. Box 340500 Milwaukee, WI 53234-0500 U.S.A. | (800) 558-0607 | (414) 671-6350



www.hatcocorp.com | support@hatcocorp.com | [Find a Hatco Rep](#) | [Image Library](#) | [Document Library](#) | [Chat](#)



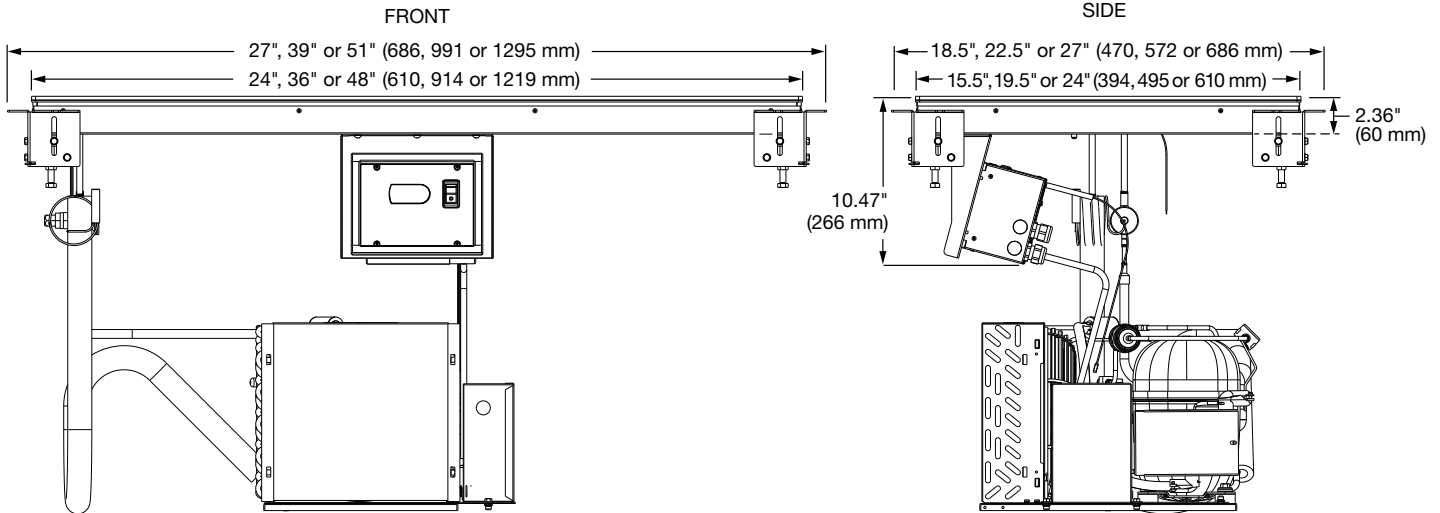
Cold Simulated Stone[▲] Shelves Built-In Flush Top

Models: CSSBF-24-F, -24-I, -24-S, -36-F, -36-I, -36-S, -48-F, -48-I, -48-S*

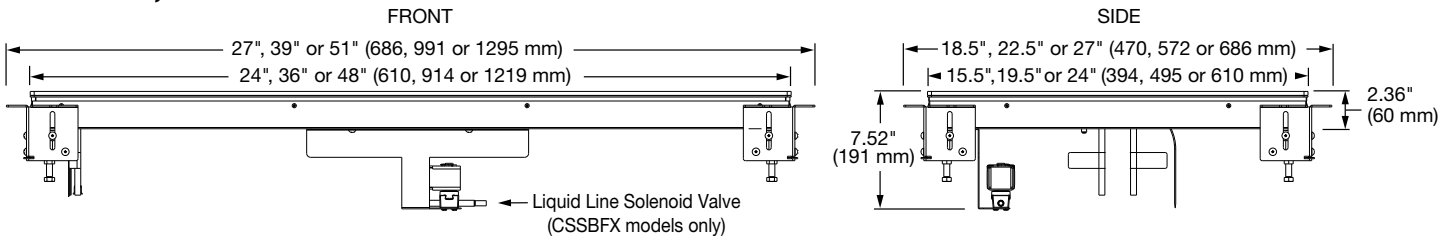
CSSBFR-24-F, -24-I, -24-S, -36-F, -36-I, -36-S, -48-F, -48-I, -48-S

CSSBFX-24-F, -24-I, -24-S, -36-F, -36-I, -36-S, -48-F, -48-I, -48-S

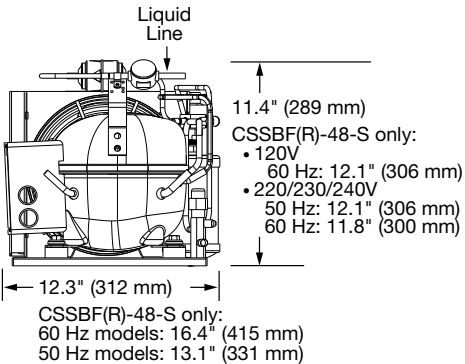
CSSBF*



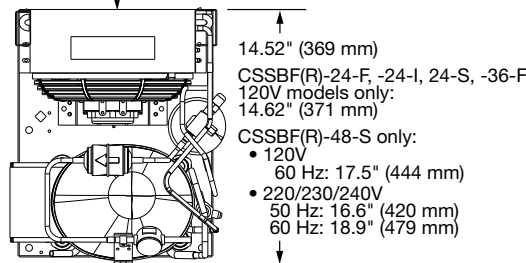
CSSBFR, CSSBFX



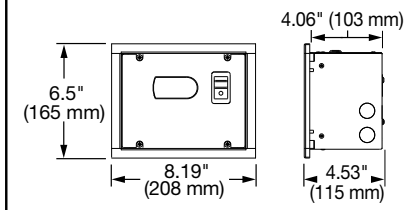
CONDENSING UNIT SIDE



TOP Air flow



CONTROL BOX - all models



▲ Models with simulated stone are Swanstone[®].

★ CSSBF models available in Domestic, Canadian and Export USD Price Lists only.



Cold Simulated Stone[▲] Shelves Built-In Flush Top

Models: CSSBF-24-F, -24-I, -24-S, -36-F, -36-I, -36-S, -48-F, -48-I, -48-S^{*}

CSSBFR-24-F, -24-I, -24-S, -36-F, -36-I, -36-S, -48-F, -48-I, -48-S

CSSBFX-24-F, -24-I, -24-S, -36-F, -36-I, -36-S, -48-F, -48-I, -48-S

SPECIFICATIONS

Cold Simulated Stone[▲] Shelves Built-In Flush Top

The shaded areas contain electrical information for International models

Model [*]	Overall Dimension W x D x H	Usable Shelf Space W x D of cooled surface	Compressor Size HP	Volts [*]	Watts	Amps	Hz	Plug	Approximate Ship Weight	
CSSBF-24-F	27" x 18.5" x 10.45" (686 x 470 x 265 mm)	24" x 15.5" (610 x 394 mm)	1/3	1/5	120	300	3.8	60	NEMA 5-15P	114 lb. (52 kg)
				50	220	1089	5.0	CEE 7-7 Schuko, BS-1363, AS3112		
					230	1190	5.2			
					240	1296	5.4			
				60	220	1129	5.1	CEE 7-7 Schuko BS-1363		
					230	1234	5.4			
240	1344	5.6								
CSSBF-24-I	27" x 22.5" x 10.45" (686 x 572 x 265 mm)	24" x 19.5" (610 x 495 mm)	1/3	1/5	120	300	3.8	60	NEMA 5-15P	124 lb. (56 kg)
				50	220	1089	5.0	CEE 7-7 Schuko, BS-1363, AS3112		
					230	1190	5.2			
					240	1296	5.4			
				60	220	1129	5.1	CEE 7-7 Schuko BS-1363		
					230	1234	5.4			
240	1344	5.6								
CSSBF-24-S	27" x 27" x 10.45" (686 x 686 x 265 mm)	24" x 24" (610 x 610 mm)	1/3	1/5	120	300	3.8	60	NEMA 5-15P	134 lb. (61 kg)
				50	220	1089	5.0	CEE 7-7 Schuko, BS-1363, AS3112		
					230	1190	5.2			
					240	1296	5.4			
				60	220	1129	5.1	CEE 7-7 Schuko BS-1363		
					230	1234	5.4			
240	1344	5.6								
CSSBF-36-F	39" x 18.5" x 10.45" (991 x 470 x 265 mm)	36" x 15.5" (914 x 394 mm)	1/3	1/5	120	300	3.8	60	NEMA 5-15P	143 lb. (65 kg)
				50	220	1089	5.0	CEE 7-7 Schuko, BS-1363, AS3112		
					230	1190	5.2			
					240	1296	5.4			
				60	220	1129	5.1	CEE 7-7 Schuko BS-1363		
					230	1234	5.4			
240	1344	5.6								
CSSBF-36-I	39" x 22.5" x 10.45" (991 x 572 x 265 mm)	36" x 19.5" (914 x 495 mm)	1/3	1/3	120	450	5.9	60	NEMA 5-15P	155 lb. (70 kg)
				50	220	826	3.8	CEE 7-7 Schuko, BS-1363, AS3112		
					230	904	3.9			
					240	984	4.1			
				60	220	1129	5.1	CEE 7-7 Schuko, BS-1363		
					230	1234	5.4			
240	1344	5.6								
CSSBF-36-S	39" x 27" x 10.45" (991 x 686 x 265 mm)	36" x 24" (914 x 610 mm)	1/3	1/3	120	450	5.9	60	NEMA 5-15P	167 lb. (78 kg)
				50	220	826	3.8	CEE 7-7 Schuko, BS-1363, AS3112		
					230	904	3.9			
					240	984	4.1			
				60	220	1129	5.1	CEE 7-7 Schuko, BS-1363		
					230	1234	5.4			
240	1344	5.6								
CSSBF-48-F	51" x 18.5" x 10.45" (1295 x 470 x 265 mm)	48" x 15.5" (1219 x 394 mm)	1/3	1/3	120	450	5.9	60	NEMA 5-15P	144 lb. (65 kg)
				50	220	826	3.8	CEE 7-7 Schuko, BS-1363, AS3112		
					230	904	3.9			
					240	984	4.1			
				60	220	1129	5.1	CEE 7-7 Schuko, BS-1363		
					230	1234	5.4			
240	1344	5.6								
CSSBF-48-I	51" x 22.5" x 10.45" (1295 x 572 x 265 mm)	48" x 19.5" (1219 x 495 mm)	1/3	1/3	120	450	5.9	60	NEMA 5-15P	173 lb. (78 kg)
				50	220	826	3.8	CEE 7-7 Schuko, BS-1363, AS3112		
					230	904	3.9			
					240	984	4.1			
				60	220	1129	5.1	CEE 7-7 Schuko, BS-1363		
					230	1234	5.4			
240	1344	5.6								
CSSBF-48-S	51" x 27" x 10.45" (1295 x 686 x 265 mm)	48" x 24" (1219 x 610 mm)	1/3	5/8	120	800	8.7	60	NEMA 5-15P	195 lb. (89 kg)
				50	220	826	3.8	CEE 7-7 Schuko, BS-1363, AS3112		
					230	904	3.9			
					240	984	4.1			
				60	220	1956	8.9	CEE 7-7 Schuko, BS-1363		
					230	2138	9.3			
240	2328	9.7								

▲ Models with simulated stone are Swanstone[®].

* Available in Domestic, Canadian and Export USD Price Lists only.

** All voltages are non-CE.

HATCO CORPORATION

P.O. Box 340500 Milwaukee, WI 53234-0500 U.S.A. | (800) 558-0607 | (414) 671-6350



www.hatcocorp.com

support@hatcocorp.com

[Find a Hatco Rep](#)

[Image Library](#)

[Document Library](#)

[Chat](#)



Cold Simulated Stone[▲] Shelves Built-In Flush Top

Models: CSSBF-24-F, -24-I, -24-S, -36-F, -36-I, -36-S, -48-F, -48-I, -48-S*
 CSSBFR-24-F, -24-I, -24-S, -36-F, -36-I, -36-S, -48-F, -48-I, -48-S
 CSSBFX-24-F, -24-I, -24-S, -36-F, -36-I, -36-S, -48-F, -48-I, -48-S

SPECIFICATIONS

Cold Simulated Stone[▲] Shelves Built-In Flush Top - Remote - R
 with unattached Condenser and Control Box

The shaded areas contain electrical information for International models

Model	Overall Dimension W x D x H	Usable Shelf Space W x D of cooled surface	Compressor Size HP	Volts*	Watts	Amps	Hz	Approximate Ship Weight
CSSBFR-24-F	27" x 18.5" x 7.52" (686 x 470 x 191 mm)	24" x 15.5" (610 x 394 mm)	1/5	120	300	3.8	60	119 lbs. (54 kg)
			1/3	220	1089	5.0	50	
				230	1190	5.2		
				240	1296	5.4		
				220	1129	5.1		
			230	1234	5.4	60		
240	1344	5.6						
CSSBFR-24-I	27" x 22.5" x 7.52" (686 x 572 x 191 mm)	24" x 19.5" (610 x 495 mm)	1/5	120	300	3.8	60	124 lbs. (57 kg)
			1/3	220	1089	5.0	50	
				230	1190	5.2		
				240	1296	5.4		
				220	1129	5.1		
			230	1234	5.4	60		
240	1344	5.6						
CSSBFR-24-S	27" x 27" x 7.52" (686 x 686 x 191 mm)	24" x 24" (610 x 610 mm)	1/5	120	300	3.8	60	138 lbs. (63 kg)
			1/3	220	1089	5.0	50	
				230	1190	5.2		
				240	1296	5.4		
				220	1129	5.1		
			230	1234	5.4	60		
240	1344	5.6						
CSSBFR-36-F	39" x 18.5" x 7.52" (991 x 470 x 191 mm)	36" x 15.5" (914 x 394 mm)	1/5	120	300	3.8	60	135 lb. (62 kg)
			1/3	220	1089	5.0	50	
				230	1190	5.2		
				240	1296	5.4		
				220	1129	5.1		
			230	1234	5.4	60		
240	1344	5.6						
CSSBFR-36-I	39" x 22.5" x 7.52" (991 x 572 x 191 mm)	36" x 19.5" (914 x 495 mm)	1/3	120	450	5.9	60	147 lbs. (67 kg)
			3/8	220	826	3.8	50	
				230	904	3.9		
				240	984	4.1		
			1/3	220	1129	5.1	60	
				230	1234	5.4		
240	1344	5.6						
CSSBFR-36-S	39" x 27" x 7.52" (991 x 686 x 191 mm)	36" x 24" (914 x 610 mm)	1/3	120	450	5.9	60	159 lbs. (73 kg)
			3/8	220	826	3.8	50	
				230	904	3.9		
				240	984	4.1		
			1/3	220	1129	5.1	60	
				230	1234	5.4		
240	1344	5.6						
CSSBFR-48-F	51" x 18.5" x 7.52" (1295 x 470 x 191 mm)	48" x 15.5" (1219 x 394 mm)	1/3	120	450	5.9	60	136 lbs. (62 kg)
			3/8	220	826	3.8	50	
				230	904	3.9		
				240	984	4.1		
			1/3	220	1129	5.1	60	
				230	1234	5.4		
240	1344	5.6						
CSSBFR-48-I	51" x 22.5" x 7.52" (1295 x 572 x 191 mm)	48" x 19.5" (1219 x 495 mm)	1/3	120	450	5.9	60	165 lbs. (75 kg)
			3/8	220	826	3.8	50	
				230	904	3.9		
				240	984	4.1		
			1/3	220	1129	5.1	60	
				230	1234	5.4		
240	1344	5.6						
CSSBFR-48-S	51" x 27" x 7.52" (1295 x 686 x 191 mm)	48" x 24" (1219 x 610 mm)	5/8	120	800	8.7	60	187 lbs. (85 kg)
			1/2	220	826	3.8	50	
				230	904	3.9		
				240	984	4.1		
			5/8	220	1956	8.9	60	
				230	2138	9.3		
240	2328	9.7						

▲ Models with simulated stone are Swanstone®. * Available in Domestic, Canadian and Export USD Price Lists only. ** All voltages are non-CE.



Cold Simulated Stone[▲] Shelves Built-In Flush Top

Models: CSSBF-24-F, -24-I, -24-S, -36-F, -36-I, -36-S, -48-F, -48-I, -48-S*
 CSSBFR-24-F, -24-I, -24-S, -36-F, -36-I, -36-S, -48-F, -48-I, -48-S
 CSSBFX-24-F, -24-I, -24-S, -36-F, -36-I, -36-S, -48-F, -48-I, -48-S

SPECIFICATIONS

Cold Simulated Stone[▲] Shelves Built-In Flush Top - Remote - X
 with unattached Control Box only (no Condenser)

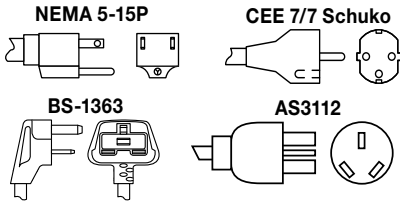
The shaded areas contain electrical
 information for International models

Model	Overall Dimension W x D x H	Usable Shelf Space W x D of cooled surface	Volts*	Rated Watts	Amps	Hz	Approximate Ship Weight
CSSBFX-24-F	27" x 18.5" x 7.52" (686 x 470 x 191 mm)	24" x 15.5" (610 x 394 mm)	120	12	0.1	60	69 lbs. (32 kg)
			220, 230, 240	17	0.1	50	
			220, 230, 240	12	0.1	60	
CSSBFX-24-I	27" x 22.5" x 7.52" (686 x 572 x 191 mm)	24" x 19.5" (610 x 495 mm)	120	12	0.1	60	79 lbs. (36 kg)
			220, 230, 240	17	0.1	50	
			220, 230, 240	12	0.1	60	
CSSBFX-24-S	27" x 27" x 7.52" (686 x 686 x 191 mm)	24" x 24" (610 x 610 mm)	120	12	0.1	60	89 lbs. (41 kg)
			220, 230, 240	17	0.1	50	
			220, 230, 240	12	0.1	60	
CSSBFX-36-F	39" x 18.5" x 7.52" (991 x 470 x 191 mm)	36" x 15.5" (914 x 394 mm)	120	12	0.1	60	98 lbs. (45 kg)
			220, 230, 240	17	0.1	50	
			220, 230, 240	12	0.1	60	
CSSBFX-36-I	39" x 22.5" x 7.52" (991 x 572 x 191 mm)	36" x 19.5" (914 x 495 mm)	120	12	0.1	60	110 lbs. (50 kg)
			220, 230, 240	17	0.1	50	
			220, 230, 240	12	0.1	60	
CSSBFX-36-S	39" x 27" x 7.52" (991 x 686 x 191 mm)	36" x 24" (914 x 610 mm)	120	12	0.1	60	122 lbs. (56 kg)
			220, 230, 240	17	0.1	50	
			220, 230, 240	12	0.1	60	
CSSBFX-48-F	51" x 18.5" x 7.52" (1295 x 470 x 191 mm)	48" x 15.5" (1219 x 394 mm)	120	12	0.1	60	99 lbs. (45 kg)
			220, 230, 240	17	0.1	50	
			220, 230, 240	12	0.1	60	
CSSBFX-48-I	51" x 22.5" x 7.52" (1295 x 572 x 191 mm)	48" x 19.5" (1219 x 495 mm)	120	12	0.1	60	128 lbs. (56 kg)
			220, 230, 240	17	0.1	50	
			220, 230, 240	12	0.1	60	
CSSBFX-48-S	51" x 27" x 7.52" (1295 x 686 x 191 mm)	48" x 24" (1219 x 610 mm)	120	12	0.1	60	140 lbs. (64 kg)
			220, 230, 240	17	0.1	50	
			220, 230, 240	12	0.1	60	

▲ Models with simulated stone are Swanstone[®].

* All voltages are non-CE.

PLUG CONFIGURATION - CSSBF models only



CUTOUT DIMENSIONS

Refer to the Installation and Operating Manual for more information.

Model	Width	Depth
	with 0.375" (10 mm) radii	with 0.375" (10 mm) radii
CSSBF(R)(X)-24F	24.375" (619 mm)	15.875" (403 mm)
CSSBF(R)(X)-24-I	24.375" (619 mm)	19.875" (505 mm)
CSSBF(R)(X)-24-S	24.375" (619 mm)	24.375" (619 mm)
CSSBF(R)(X)-36-F	36.375" (924 mm)	15.875" (403 mm)
CSSBF(R)(X)-36-I	36.375" (924 mm)	19.875" (505 mm)
CSSBF(R)(X)-36-S	36.375" (924 mm)	24.375" (619 mm)
CSSBF(R)(X)-48-F	48.375" (1229 mm)	15.875" (403 mm)
CSSBF(R)(X)-48-I	48.375" (1229 mm)	19.875" (505 mm)
CSSBF(R)(X)-48-S	48.375" (1229 mm)	24.375" (619 mm)
All Models	Width	Height
Control Box Cut Out Dimensions	7.438" (189 mm)	5.625" (143 mm)

▲ Models with simulated stone are Swanstone[®].

* CSSBF models available in Domestic, Canadian and Export USD Price Lists only.

HATCO CORPORATION | P.O. Box 340500 Milwaukee, WI 53234-0500 U.S.A. | (800) 558-0607 | (414) 671-6350

www.hatcocorp.com | support@hatcocorp.com | [Find a Hatco Rep](#) | [Image Library](#) | [Document Library](#) | [Chat](#)



Cold Simulated Stone[▲] Shelves Built-In Flush Top

Models: CSSBF-24-F, -24-I, -24-S, -36-F, -36-I, -36-S, -48-F, -48-I, -48-S*
CSSBFR-24-F, -24-I, -24-S, -36-F, -36-I, -36-S, -48-F, -48-I, -48-S
CSSBFX-24-F, -24-I, -24-S, -36-F, -36-I, -36-S, -48-F, -48-I, -48-S

R-513A REFRIGERANT OPERATING SPECIFICATIONS IN 75°F (24°C) AMBIENT



(Refer to the Installation section in the Installation and Operating Manual on the Hatco website)

- Suction Pressure: 6-9 PSIG (0.4-0.6 Bar)
- Discharge Pressure : 115-125 PSIG (7.9-8.6 Bar)
- Superheat: 4-10° F (2.2 to 5.6°C)
- Subcooling: 5-10° F (2.8 to 5.6°C)

FACTORY FILL RATES for R-513A REFRIGERANT (CSSBFR condensers are shipped without refrigerants)

Model	Fill Weight	Model	Fill Weight
CSSBF-24-F	1 lb. 3 oz. (0.539 kg)	CSSBFR-24-F	1 lb. 13 oz. (0.822 kg)
CSSBF-24-I		CSSBFR-24-I	
CSSBF-24-S	1 lb. 5 oz. (0.595 kg)	CSSBFR-24-S	1 lb. 15 oz. (0.879 kg)
CSSBF-36-F	1 lb. 5 oz. (0.595 kg)	CSSBFR-36-F	1 lb. 15 oz. (0.879 kg)
CSSBF-36-I	1 lb. 3 oz. (0.539 kg)	CSSBFR-36-I	1 lb. 13 oz. (0.822 kg)
CSSBF-36-S		CSSBFR-36-S	
CSSBF-48-F	1 lb. 3 oz. (0.539 kg)	CSSBFR-48-F	1 lb. 13 oz. (0.822 kg)
CSSBF-48-I		CSSBFR-48-I	
CSSBF-48-S	1 lb. 15 oz. (0.879 kg)	CSSBFR-48-S	2 lb. 8 oz. (1.134 kg)

PRODUCT SPECS Cold Simulated Stone[▲] Shelves Built-In Flush Top

The patented Cold Simulated Stone Shelves Built-In Flush Top shall be model ... as manufactured by the Hatco Corporation, Milwaukee, WI 53234 U.S.A.
The Cold Simulated Stone Shelf Built-In Flush Top shall be rated at ... watts, ... volts, and ... inches (millimeters) in overall width.
It shall utilize R-513A refrigerant and consist foodsafe simulated stone material

surface shelf assembly, a condenser attached to evaporator with 5 foot (1524 mm) flexible tubing, and an adjustable bracket with cord and plug attached, and attached Electronic Temperature Control Box.

Warranty consists of 24/7 parts and service assistance (U.S. and Canada only).

Cold Simulated Stone[▲] Shelves Built-In Flush Top - Remote (R or X models)

The patented Cold Simulated Stone Shelves Built-In Flush Top - Remote (R or X) shall be model ... as manufactured by the Hatco Corporation, Milwaukee, WI 53234 U.S.A.
The Cold Simulated Stone Shelves Built-In Flush Top - Remote (R or X) model shall be rated at ... watts, ... volts, and ... inches (millimeters) in overall width.

CSSBFR shall utilize R-513A refrigerant. CSSBFR and CSSBFX models shall consist of a foodsafe simulated stone material surface shelf assembly with a temperature probe, an unattached TXV valve, an unattached Electronic Temperature Control Box, an unattached condenser (CSSBFR models only) and a solenoid valve attached to shelf (CSSBFX models only).

Warranty consists of 24/7 parts and service assistance (U.S. and Canada only).

▲ Models with simulated stone are Swanstone®.

* CSSBF models available in Domestic, Canadian and Export USD Price Lists only.

HATCO CORPORATION | P.O. Box 340500 Milwaukee, WI 53234-0500 U.S.A. | (800) 558-0607 | (414) 671-6350



www.hatcocorp.com | support@hatcocorp.com | [Find a Hatco Rep](#) | [Image Library](#) | [Document Library](#) | [Chat](#)