



**ICE CHESTS
DROP IN**



JOB	
AREA	
ITEM NO.	
MODEL NO.	

MODELS
DI17IC
DI18IC
DI24IC
DI24IC10
DI30IC
DI30IC10
DI36IC
DI36IC10



COMPONENT

Features

- Patented design conceals cold plate under liner for improved sanitation (DI24IC10, DI30IC10 and DI36IC10)
- Drops into bar or countertop
- Includes standard covers



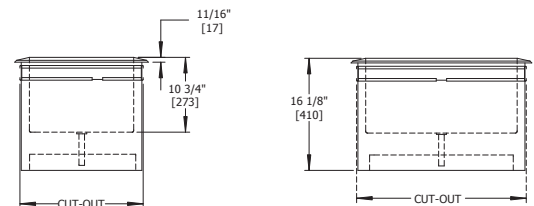
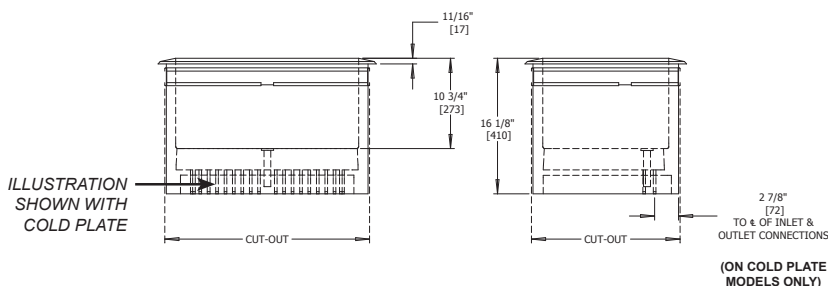
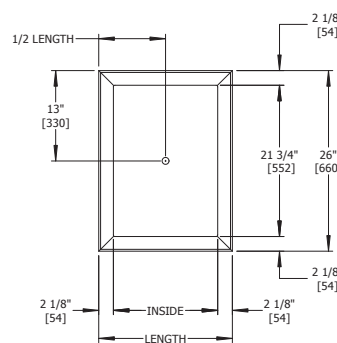
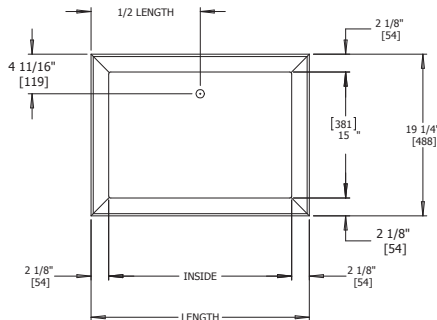
**ICE CHESTS
DROP IN**

MODEL NOS.	DI17IC	DI18IC	DI24IC(10)	DI30IC(10)	DI36IC(10)
OUTSIDE LENGTH, INCHES (mm)	19-1/4 (488)	20 (508)	26 (660)	32 (813)	38 (965)
INSIDE LENGTH, INCHES (mm)	15 (381)	15-3/4 (400)	21-3/4 (552)	27-3/4 (704)	33-3/4 (857)
ICE CAPACITY, LBS. (kg)	50 (23)	35 (16)	50 (23)	65 (29)	80 (36)
NO. OF CIRCUITS	0	0	0 (10)	0 (10)	0 (10)
CUT-OUT SIZE	17-7/8 X 24-5/8	18-5/8 X 17-7/8	24-5/8 X 17-7/8	30-5/8 X 17-7/8	36-5/8 X 17-7/8
SHIP WEIGHT, LBS. (kg) - NO COLD PLATE	60 (28)	50 (23)	60 (28)	70 (32)	80 (36)
SHIP WEIGHT, LBS. (kg) - w/COLD PLATE	N/A	N/A	130 (59)	140 (64)	150 (68)
TOP	Stainless steel				
FRONT & SIDES	Galvanized steel				
BOTTOM	Galvanized steel				
COVERS	Stainless steel, two-piece, included with all Drop In Ice Chests				
INSULATION	Foamed-in-place polyurethane				
PLUMBING	Drain connection – 1/2" NPS male				
COLD PLATE	Cast aluminum plate concealed under ice chest liner. Cold plate has 2 full-length circuits and 8 half-length circuits. Connections – 5/16" O.D. stainless steel tubing with swaged end to accept standard 1/4" I.D. beverage tubing				
OPERATING SPECIFICATIONS	Each full circuit will deliver four, 6 oz. drinks per minute at 40° continuously, or 40 oz. every three minutes in a single draw (Flow rate 2 oz./sec., 75° ambient, 75° product)				



DI18IC, DI24IC(10), DI30IC(10), DI36IC(10)

DI17IC



Form No. IC04
Rev. 07.13.2016