



Project \_\_\_\_\_

Item # \_\_\_\_\_

Quantity \_\_\_\_\_

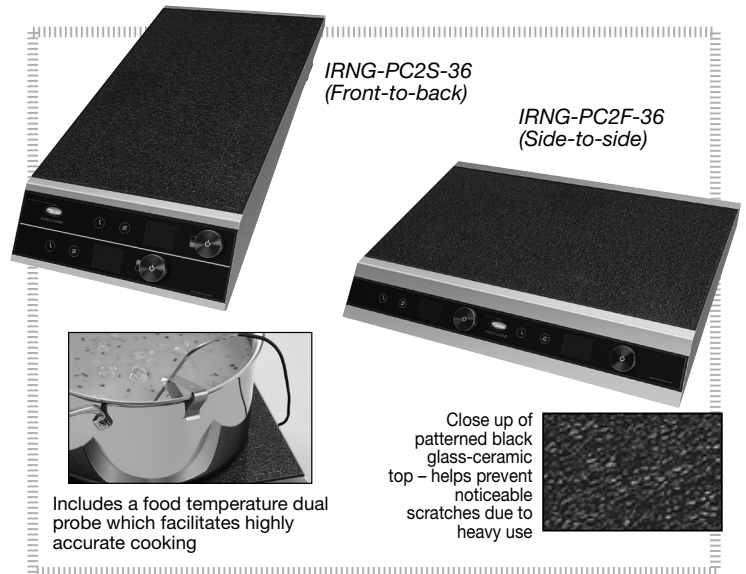
# Rapide Cuisine® Countertop High-Powered/Heavy-Duty Dual Induction Ranges

Models: IRNG-PC2S-29, -36

IRNG-PC2F-29, -36

Hatco's patent-pending Rapide Cuisine® High-Powered/ Heavy-Duty Dual Induction Ranges offer industry-leading features and true back-of-house power in a commercial kitchen proof package. These are dual units that are configured either front-to-back or side-to-side to optimize your countertop footprint.

The unit features our Magnetic Power System (MPS) to deliver the highest power in its class! It has User Programmable Presets (UPP) for repeat menu items and a food temperature dual probe for more accurate cooking, plus a timer, high resolution color display and convenient power and temperature modes.



## Standard features:

- Heavy gauge stainless steel housing with side impact protection for the top
- Eight surface temperature sensors (four sensors per heating element) offer the most accurate control in its class
- Culinary equivalent of up to 31,000 BTUs gas per burner
- High resolution TFT (thin film transistor) display instantly advises the operator of precise power (1 to 100), temperature (°F or °C in one degree increments) and time control (30 seconds to 10 hours)
- 3-stage programming mode so the operator can create preset programs for consistent and labor-saving cooking cycles
- Includes a grease filter and intake plus exhaust fans
- A fully sealed 6 mm glass-ceramic top with conformal coated boards keeps pan heat, moisture and grease away from internal electronics
- Elegant, low-profile design is one of the lowest on the market
- Pan Sense Technology (PST) activates the unit only when a suitable pan is placed on top
- Withstands high ambient kitchen temperatures (up to 124°F/51°C)
- USB ports for downloading updates or adding Modes from our website

**For operation, location and safety information, please refer to the Installation & Operating Manual.**



**HATCO CORPORATION** | P.O. Box 340500 Milwaukee, WI 53234-0500 U.S.A.  
(800) 558-0607 | (414) 671-6350 | www.hatcocorp.com | support@hatcocorp.com

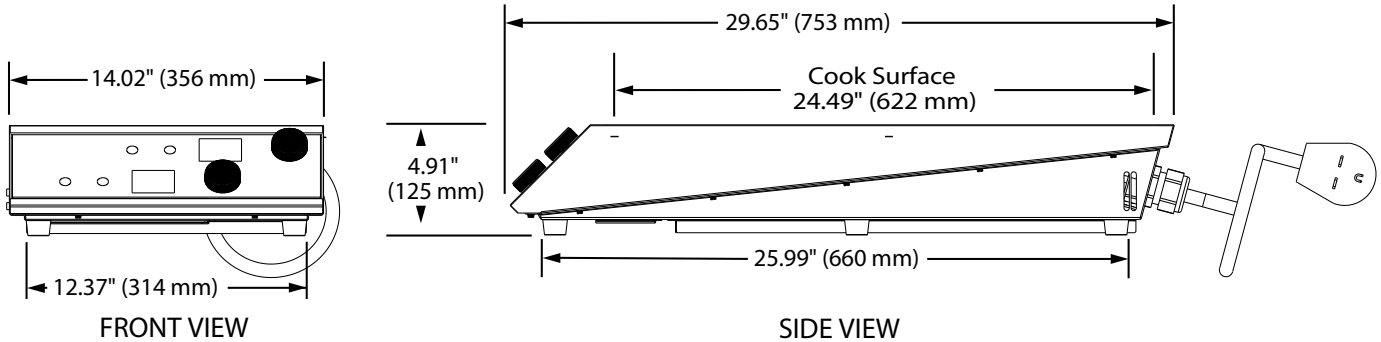


# Rapide Cuisine® Countertop High-Powered/ Heavy-Duty Dual Induction Ranges

Models: IRNG-PC2F-29, -36, IRNG-PC2S-29, -36

## IRNG-PC2F-29, -36 Models

(Front-to-Back Configuration)



## SPECIFICATIONS

### High-Powered/Heavy-Duty Countertop Dual Induction Ranges

Model (Front-to-back)	Dimensions (Width x Depth x Height)	Volts	Phase	Watts (Per Hob)	Amps	Total Power (Watts)	Plug	Cord Location	Ship Weight*
IRNG-PC2F-29	14.02" x 29.65" x 4.91" (356 x 753 x 125 mm)	208	Single	2496	24	4992	NEMA 6-30P	Rear left bottom base corner	41 lbs. (18.5 kg)
		240		2880		5760			
IRNG-PC2F-36		208		3120	30	6240	NEMA 6-50P		
		240		3600		7200			

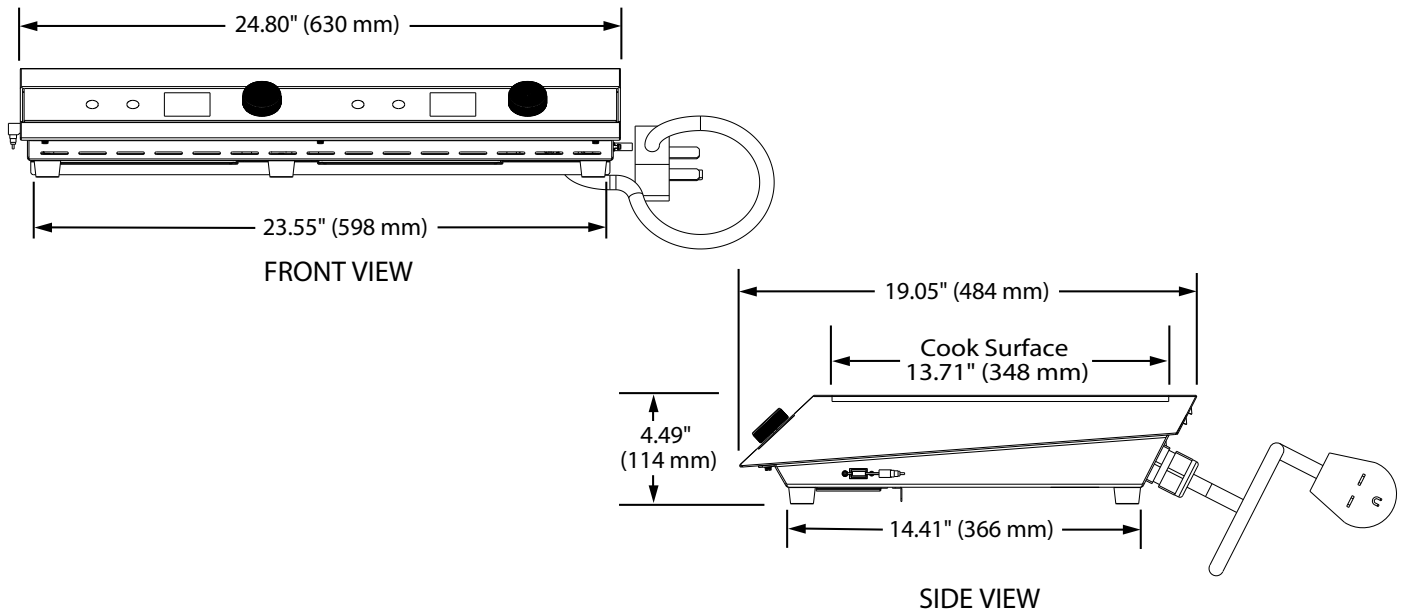
\* Shipping weight includes packaging and is approximate.

## PAN SIZE

Maximum Pan Size: 14" diameter (356 mm), Minimum Pan Size: 4" diameter (102 mm).

## IRNG-PC2S-29, -36 Models

(Side to Side Configuration)



**HATCO CORPORATION**

(800) 558-0607 | (414) 671-6350

P.O. Box 340500 Milwaukee, WI 53234-0500 U.S.A.

www.hatcocorp.com | support@hatcocorp.com



# Rapide Cuisine® Countertop High-Powered/ Heavy-Duty Dual Induction Ranges

Models: IRNG-PC2F-19, -29, -36, IRNG-PC2S-19, -29, -36

## SPECIFICATIONS

### High-Powered/Heavy-Duty Countertop Dual Induction Ranges

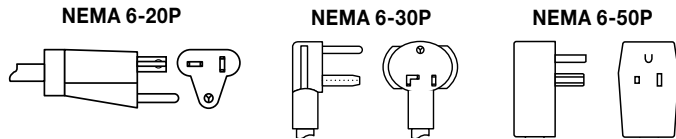
Model (Side-to-side)	Dimensions (Width x Depth x Height)	Volts	Phase	Watts (Per Hob)	Amps	Total Power (Watts)	Plug	Cord Location	Ship Weight*
IRNG-PC2S-29	24.80" x 19.05" x 4.49" (630 x 484 x 114 mm)	208	Single	2496	24	4992	NEMA 6-30P	Rear left bottom base corner	41 lbs. (18.5 kg)
		240		2880		5760			
IRNG-PC2S-36		208		3120	30	6240	NEMA 6-50P		
		240		3600		7200			

\* Shipping weight includes packaging and is approximate.

## PAN SIZE

Maximum Pan Size: 14" diameter (356 mm), Minimum Pan Size: 4" diameter (102 mm).

## PLUG CONFIGURATIONS



## PRODUCT SPECS

### Rapide Cuisine® Countertop High-Powered/ Heavy-Duty Dual Induction Ranges

The High-Powered/Heavy-Duty Countertop Dual Induction Range shall be a Rapide Cuisine® model, manufactured by the Hatco Corporation, Milwaukee, WI 53234 U.S.A.

The Induction Range shall be rated at ... watts, ... volts, single phase and be ... inches (millimeters) in overall width. The Countertop Dual Induction Range shall consist of a stainless steel housing with an aluminum base with a glass-ceramic top with two induction generators, and two power coils. It includes a tempered glass control panel with individual controls for each induction element, with touch buttons, 0-100% power

levels and temperature control in F° or C° plus color-coordinated TFT color display and controls. The range will be controlled via an electronic rotary/push control and features 3-stage programming, cook to time with power or temperature control, a cook to temp feature and a USB ports for updates and future access to additional operating modes. A dual food temperature probe and 71" (1800 mm) cord and plug is included.

Warranty consists of 24/7 parts and service assistance (US and Canada only).

**HATCO CORPORATION** | P.O. Box 340500 Milwaukee, WI 53234-0500 U.S.A.  
(800) 558-0607 | (414) 671-6350 | [www.hatcocorp.com](http://www.hatcocorp.com) | [support@hatcocorp.com](mailto:support@hatcocorp.com)