



Job _____ Item No. _____

Lang® Electric 36" Ranges

Induction Top with Convection Oven Base RI36C-ATE

Induction Top with Standard Oven Base RI36S-ATE

Convection Oven Base R36C

Standard Oven Base R36S

Top Options: -ATA through -ATF



Model RI36C-ATE

Model R36S-ATB

DESCRIPTION

Lang electric ranges are 36" wide heavy-duty electric heated units with a standard oven, convection oven or cabinet in the base.

SPECIFICATIONS

Range shall be a LANG Manufacturing Model R36_ _ _ _ [Specify one]:

- ATA, with 24" wide Griddle and 2 ea. 8" diameter French Plates;
- ATB, with 3 ea. 12" X 24" X 3/4" thick Hot Plates;
- ATC, with 3 ea. 12" X 24" X 3/4" thick Hot Plates & 2 ea. 8" diameter French Plates
- ATD, with 36" wide Griddle;
- RI36_ _ -ATE, with 6 ea. 8" diameter Induction Tops
- ATE, with 6 ea. 8" diameter French Plates
- ATF, with 12" X 24" X 3/4" thick hot plate & 4 ea 8" diameter French Plate

...a 36" wide heavy duty electric heated unit with full size six-pan capacity convection oven base, standard oven base or cabinet base and 21.6-kW total power input; all 430 stainless steel exterior; fully insulated oven with aluminized steel interior, heavy duty, solid, insulated door and chrome plated rack(s) standard; individual oven and cook-top component controls; plus all the features listed.

WARRANTY

These units come with a one [2] year warranty for parts and labor.

VOLTAGE 208/60Hz 240/60Hz 480/60Hz
PHASE 1Ø 3Ø

FEATURES

- Heavy duty 430 Series stainless steel exterior insulated on six sides
- 2-piece unit fits through 36" wide door
- Full width 2" high range-top back riser
- 150-450°F oven thermostat with 60-minute timer and alarm
- 6" wide full front landing
- 3" wide full front grease trough, grease drain & spillage drawers
- 6" adjustable legs standard
- Damper control
- Griddle configurations include a one piece splash guard, back & sides
- All ranges are factory wired for 3-phase service. 208 or 240V service may be wired 1 phase by the installer.

STANDARD OVEN

- One center rack guide with chrome plated rack
- Heavy-duty, hinge-down oven door
- Two 3-heat switches for oven

CONVECTION OVEN

- Six position rack guides with 3 chrome plated racks provided
- Heavy duty right hinged door with magnetic closure
- ON-OFF power switch

OPTIONS & ACCESSORIES

- 480 Volt, 3-phase model
- Set of 6" casters, two-locking, two fixed
- High Storage Rack [for mounting above any 36" Range]
- Extra wire pan racks [Three provided as std.]

CERTIFICATIONS





Lang® Electric 36" Ranges

Induction Top with Convection Oven Base □RI36C-ATE

Induction Top with Standard Oven Base □RI36S-ATE

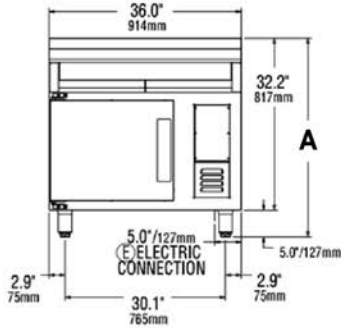
Convection Oven Base □R36C

Standard Oven Base □R36S

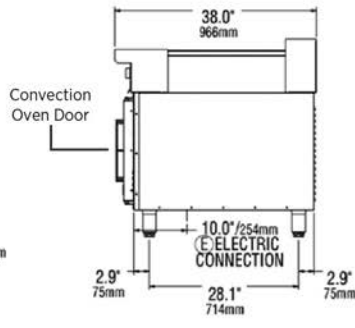
Top Options: -ATA through -ATF

VOLTAGE □208/60Hz □240/60Hz □480/60Hz
PHASE □1Ø □3Ø

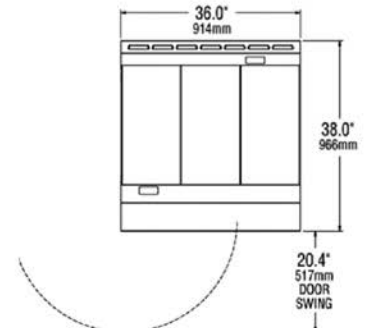
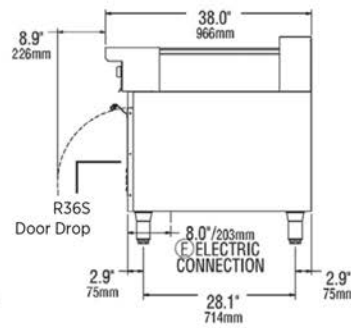
Range Option:	A	B	C	D	Induction - E	E	F
Description	(1) 24 x 24 x ½ thick Griddle Plate (2) 8" dia French Top	(3) 12 x 24 x ¾ thick Hot Tops	(2) 12 x 24 x ¾ thick Hot Top (2) 8" dia French Tops	(1) 36 x 24 x ½ thick Griddle Plate	(6) 8" dia Induction Tops	(6) 8" dia French Tops	(1) 12 x 24 x ¾ thick Hot Top (4) 8" dia French Tops
Pictogram: [Unit Top View]							



[Front View/Elevation]



[Right Side View R36C]



[Door Swing For Convection Ovens]

[R36C-ATC shown in Top View/Plan]

INSTALLATION REQUIREMENTS: 1. Ⓜ Single 208/240V, 1/ 3-Phase; or 480V, 3-phase electrical connection 2. Unit is shipped in two pieces, cook top & oven base 3. Power connection from bottom. See below.

CLEARANCES: Sides: 4", Back: 4"

MODEL	DESCRIPTION	HEIGHT ¹ in. (mm) [A]	WIDTH in. (mm)	DEPTH in. (mm)	VOLTS ¹ 60Hz	PHASE	AMPS/ LINE	TOTAL kW	APPROX. ² WEIGHT SHIPPING	APPROX. ² WEIGHT INSTALLED
RI36C-ATE	36" Electric Induction Top Range with Convection Oven Base	38.2 (970)	36.0 (914)	38.0 (966)	208V	1Ø	103.8	21.6	430-525 lb. (195-239 kg)	380-475 lb. (173-216 kg)
		240V			1Ø	90.0				
		208V			3Ø	69.2				
		240V			3Ø	59.5				
RI36S-ATE	36" Electric Induction Top Range with Standard Oven Base	39.4 (1,001)			208V	1Ø	103.8	21.6	285-540 lb. (130-245 kg)	235-490 lb. (107-223 kg)
			240V	1Ø	90.0					
			208V	3Ø	66.7					
			240V	3Ø	57.8					
R36C	36" Electric Range With Convection Oven Base	37.1 (942)			208V	1Ø	103.8	21.6	430-525 lb. (195-239 kg)	380-475 lb. (173-216 kg)
			240V	1Ø	90.0					
			208V	3Ø	69.2					
			240V	3Ø	59.5					
			480V	3Ø	29.5					
R36S	36" Electric Range With Standard Oven Base	38.2 (970)			208V	1Ø	101.0	21.0	285-540 lb. (130-245 kg)	235-490 lb. (107-223 kg)
			240V	1Ø	87.5					
			208V	3Ø	66.7					
			240V	3Ø	57.8					
			480V	3Ø	28.9					

¹ Height with standard legs ² Depending on configuration

Due to periodic changes in designs, methods, procedures, policies and regulations, the specifications contained in this sheet are subject to change without notice. While Lang Manufacturing exercises good faith efforts to provide information that is accurate, we are not responsible for errors or omissions in information provided or conclusions reached as a result of using the specifications. By using the information provided, the user assumes all risks in connection with such use.



LANG MANUFACTURING • www.langworld.com
 10 Sunnen Drive • Saint Louis, Missouri 63143
 Telephone 314 678 6315 • Fax 314 781 3636

Printed in the U.S.A. • 2M-ZZxxx • Rev - • 6.2017
 Please refer to the owner's manual for information regarding installation or use.