



FEATURES:

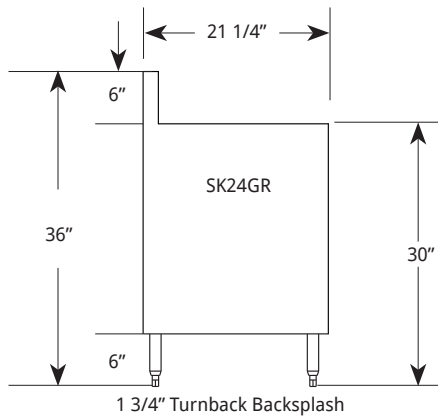
- 304 Stainless Steel, Welded and Polished Top Assembly, Ends, Back and Bottom
- Standard with Glass Rack Slides to Hold (3) Glass Racks
- Removable Perforated Top, Designated by “-DB” Otherwise Smooth Top
- Die-Cast Heavy Duty 6” Stainless Steel Equipment Legs with Adjustable Feet
- Custom Lengths Available
- Optional: Two (2) Adjustable Shelves
- Constructed to Meet NSF Specifications

MODEL NUMBERS:

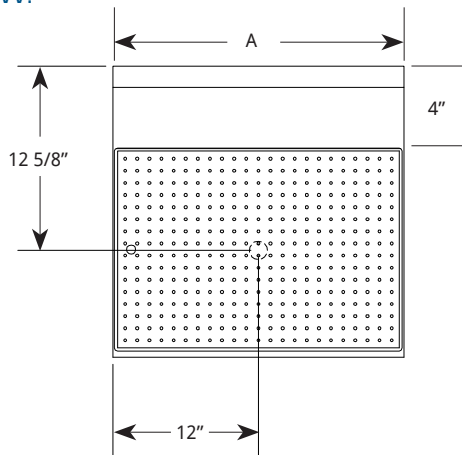
Description	Model	Model
Smooth Top	SK24GR	CL24GR
with Perforated Pan		CL12GR-DB
		CL18GR-DB
	SK24GR-DB	CL24GR-DB

GLASS RACK

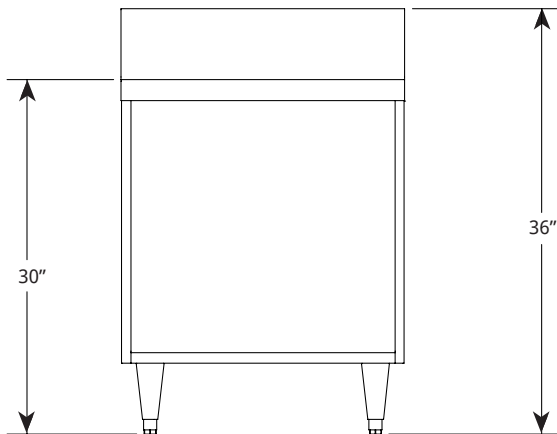
SIDE VIEW:



TOP VIEW:

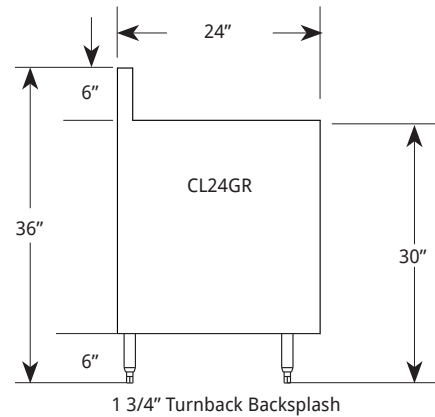


FRONT VIEW:

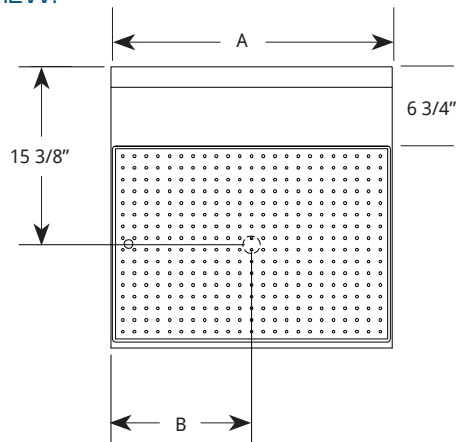


Model	A
SK24GR (Smooth Top)	24"
SK24GR-DB (Drain Top)	24"

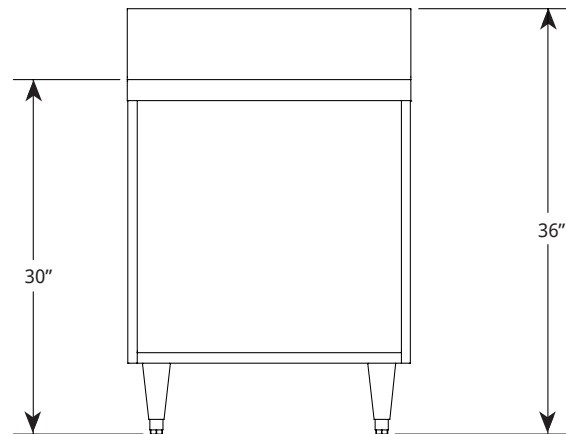
SIDE VIEW:



TOP VIEW:



FRONT VIEW:



Model	A	B
CL24GR (Smooth Top)	24"	12"
CL12GR-DB (Drain Top)	12"	6"
CL18GR-DB (Drain Top)	18"	9"
CL24GR-DB (Drain Top)	24"	12"

LaCrosse has a policy of continuous product improvement, and reserves the right to change design and specifications without notice.

L#1017.1016