

Worktop Freezers



U-Star's Worktop Freezers are constructed of heavy duty stainless steel both inside and out, making them strong and durable enough to survive in any kitchen environment. The frozen storage and convenient workspace help streamline the food preparation process. These units feature a backsplash wall that prevents ingredients and supplies from falling behind during slicing, dicing, assembling, mixing and other food preparation tasks. They operate with eco-friendly R290 refrigerant that protects the environment. The frozen storage space below the worktop is readily accessible through the doors, and features heavy-duty shelves with a roomy interior to organize ingredients. These models are ETL Listed and ETL Sanitation. They are backed with a 1 year warranty on parts and labor and a 5 year warranty on the compressor.

Product Features

- Convenient stainless steel worktop surface
- Stainless steel exterior with backsplash wall
- Environmentally-friendly R290 refrigerant
- Temperature range -8 to 0 degrees Fahrenheit
- Adjustable heavy-duty PVC coated shelves
- Electronic control system makes it easy to adjust temperature point setting and defrost frequency
- Preinstalled heavy-duty casters, (2 braking and 2 non-braking) provide mobility for easy cleaning and maintenance

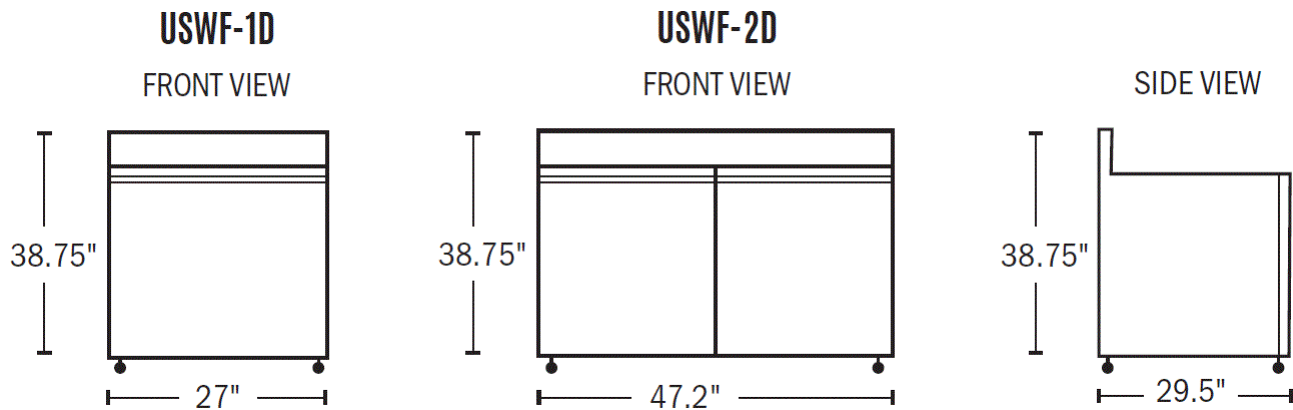


Specifications



Model Number	USWF-1D	USWF-2D
Doors	1	2
Shelves	1	2
Net Volume (Cu. Ft.)	6.3 Cu. Ft.	12 Cu. Ft.
Horsepower	1/5	1/4+
Refrigerant	R290	R290
Voltage/Hertz/Phase	115/60/1	115/60/1
Amps	2.1	4.5
Overall Dimensions (in)	27" x 29.5" x 38.75"	47.2" x 29.5" x 38.75"
Net Weight (lbs)	144 lbs	227 lbs
Gross Weight (lbs)	188 lbs	271 lbs

Plan Views



Features

Refrigeration System:

- Environmentally R290 refrigerant
- Removable installation board makes it easy to access condenser coil for cleaning and service
- Maintains a temperature range of -8° F - 0° F

Electrical Control

- LED temperature display for easy viewing of internal temperature
- Electronic controls make it easy to adjust temperature set point and defrost frequency
- NEMA 5-15 Plug



Cabinet Construction

- Stainless steel interior and exterior with aluminum backsplash
- Insulated throughout with foamed-in-place high density cell polyurethane insulation

Doors

- Self-closing doors with a 90° "stay Open" feature keep the cold air in and the internal temperature constant

Shelving

- Adjustable plastic-coated steel shelves that allow you to organize the interior to meet your needs

Model Features

- Preinstalled heavy-duty casters provide mobility for easy cleaning and maintenance
- Spacious stainless steel worktop surface allows for easy and convenient food preparation
- Backsplash prevents ingredients and supplies from falling behind the unit while working