



4184 E. Conant st., Long Beach, CA 90808
 Tel. 800-500-3519 Fax. 310-900-1066
www.turboairinc.com

Project :

Model # :

Item # :

Qty :

Available W/H :

Approval :

36" Wide Heavy Duty Restaurant Ranges

**Model : TAR-36G
 TAR-36G-LP**



≡ FEATURES & BENEFITS ≡

- Heavy gauge welded frame construction
- Fully adjustable oven thermostat providing temperatures from 250-550°F degrees
- Stainless steel front, sides, back riser lift-off high shelf
- Pull out stainless steel door for easy cleaning
- One 22,000 BTU/hr U shaped aluminized burner for every 12" of griddle width and one straight burner
- Thermostat controlled griddle
- 6" stainless steel adjustable legs (casters available as an option)
- 1 stainless steel oven rack standard (additional racks optional)
- High efficiency griddle will provide faster cooking and recovery but use less gas
- CSA certified for safety / sanitation for USA and Canada
- Wrap around full stainless steel oven interior / 26.3" depth standard



Model	Oven	Weight (lbs.)	Width (inches)	Total BTUs	Configuration
TAR-36G	1	650	36	94K	36" Griddle Top (NAT)
TAR-36G-LP	1	650	36	91K	36" Griddle Top (LPG)

36" Wide Heavy Duty Restaurant Ranges

Model : TAR-36G

DATA	TAR-36G
Gas Type	NAT
Gas Connection	3/4"
Regulator	3/4"
Gas Pressure	5 W.C"
BTU	94,000
DIMENSIONAL DATA	
Ext. Length Overall (inch)	36 (914mm)
Ext. Depth Overall (inch)	31 7/8 (810mm) + manifold
Ext. Height Overall (inch)	56 1/2 (1436mm)
OVEN DIMENSION (Interior)	
Number of Oven	1
Length (inch)	26 3/8 (670mm)
Depth (inch)	26 1/4 (669mm)
Height (inch)	13 5/8 (345mm)
Weight (lbs.)	650

DATA	TAR-36G-LP
Gas Type	LPG
Gas Connection	3/4"
Regulator	3/4"
Gas Pressure	10 W.C"
BTU	91,000
DIMENSIONAL DATA	
Ext. Length Overall (inch)	36 (914mm)
Ext. Depth Overall (inch)	31 7/8 (810mm) + manifold
Ext. Height Overall (inch)	56 1/2 (1436mm)
OVEN DIMENSION (Interior)	
Number of Oven	1
Length (inch)	26 3/8 (670mm)
Depth (inch)	26 1/4 (669mm)
Height (inch)	13 5/8 (345mm)
Weight (lbs.)	650

Design and specifications subject to change without notice.
Actual shipping weight may differ due to extra packing materials for product protection.

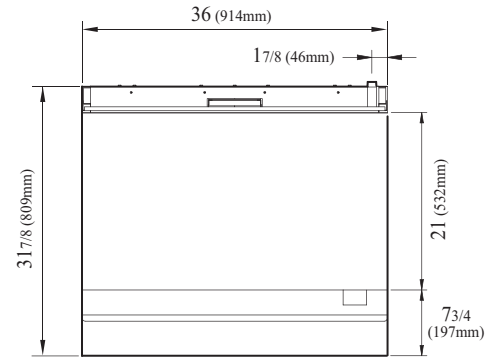
■ WARRANTY : 1 Year Labor and Parts Warranty

■ OPTIONAL ACCESSORIES :

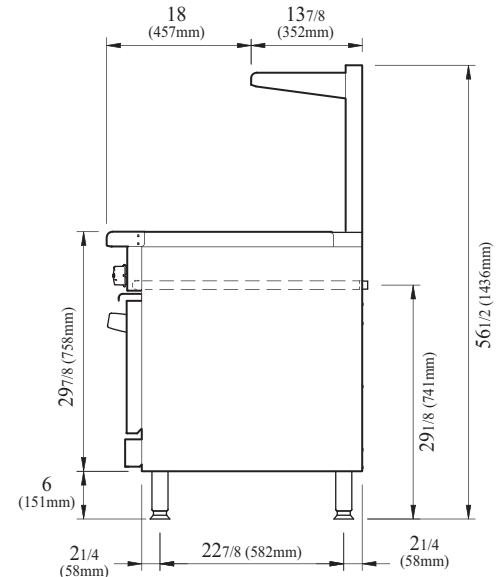
- Casters (Set of 4)
- Stainless steel oven racks
- Holder Set, Oven Kick Plate: RCP1126

PLAN VIEW

(unit : inch)



TOP VIEW



SIDE VIEW

Ver.20200921



- Turbo Air : 800-627-0032 ■ GK : 800-500-3519
- Warranty : 800-381-7770 ■ AC : 888-900-1002

REFRIGERATOR MANUFACTURER
Turbo air

GERMAN KNIFE

RADIANCE

GREEN WORLD

AIR CONDITIONER MANUFACTURER
Turbo air