



STAINLESS STEEL
FLUSH-MOUNT MOP SINK

Item #: _____ Qty #: _____
 Model #: _____
 Project #: _____



9-OP-24FM-SSRL
 Shown



Flush-To-Floor
 Design



Mop Bucket
 Easily Rolls In



2 pc. Removable
 "Subway-Style" Grate

FEATURES:

- Easy mop bucket roll-in design.
- Standard backsplash with left & right splash, Left splash or right splash available.
- 4" O.D. - 3" Long drain sleeve.
- Anti-splash guards (Front & rear).
- Waste receptacle will accommodate up to a 4" waste pipe.
- Removable perforated stainless steel strainer basket with handle provided.
- Pitched towards waste.
- Includes stainless steel or fiberglass "Subway Style" grating.
- Grating comes in two sections for easy removal for cleaning. Grating is closely spaced between bars to prevent casters from getting trapped.

CONSTRUCTION:

- All TIG welded.
- Welded areas blended to match adjacent surfaces and to a satin finish

MECHANICAL:

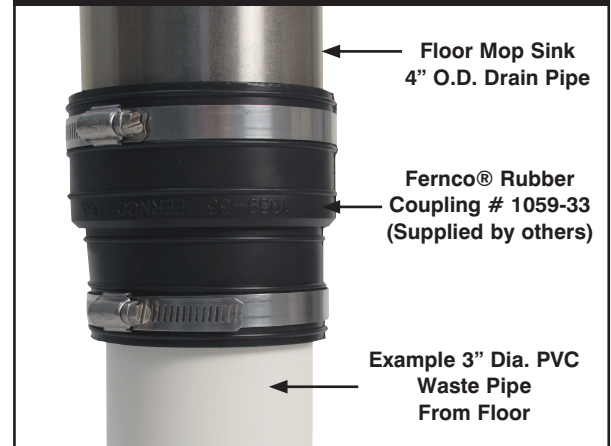
16 Gauge type "304" series stainless steel sink bowl.

GRATING SIZE:

21 3/16" (Left to Right) x 21 3/4" (Front to Back)

Example Of Bottom Drain Connection

(Installation may vary based on site conditions and local codes)



	Model #	Overall Length	Sink Dimension	Splash Location	Approx. Wt.	Approx. Cu.
STAINLESS STEEL GRATES	9-OP-24FM-SSRL	21 3/8" x 24"	21 3/8" x 22" x 10"	Back, Left & Right	128 lbs.	14
	9-OP-24FM-SSL	23 3/8" x 24"	21 3/8" x 22" x 10"	Back & Left	120 lbs.	14
	9-OP-24FM-SSR	23 3/8" x 24"	21 3/8" x 22" x 10"	Back & Right	120 lbs.	14
FIBERGLASS GRATES	9-OP-24FM-FGRL	21 3/8" x 24"	21 3/8" x 22" x 10"	Back, Left & Right	96 lbs.	14
	9-OP-24FM-FGL	23 3/8" x 24"	21 3/8" x 22" x 10"	Back & Left	88 lbs.	14
	9-OP-24FM-FGR	23 3/8" x 24"	21 3/8" x 22" x 10"	Back & Right	88 lbs.	14



Customer Service Available To Assist You 1-800-645-3166 8:30 am - 7:00 pm E.S.T.

For Orders & Customer Service:
 Email: customer@advancetabco.com or Fax: 631-242-6900

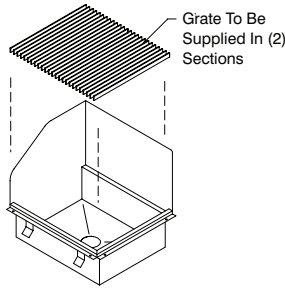
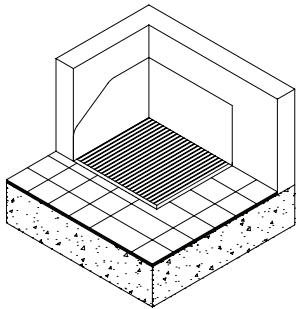
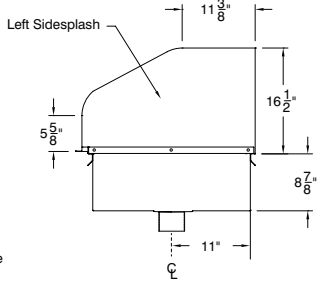
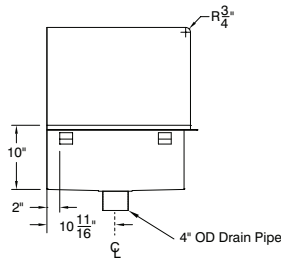
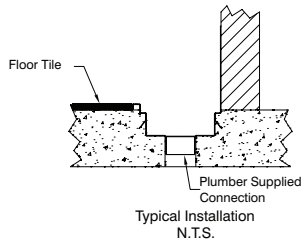
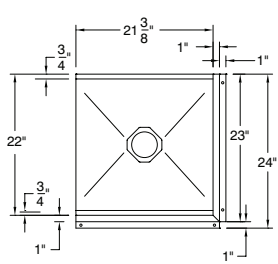
For Smart Fabrication™ Quotes:
 Email: smartfab@advancetabco.com or Fax: 631-586-2933

DIMENSIONS and SPECIFICATIONS

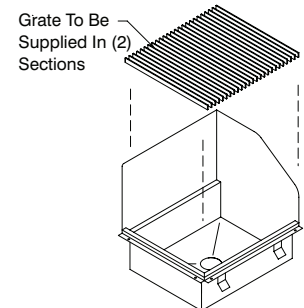
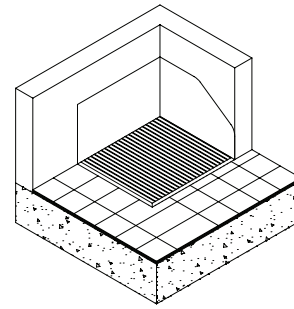
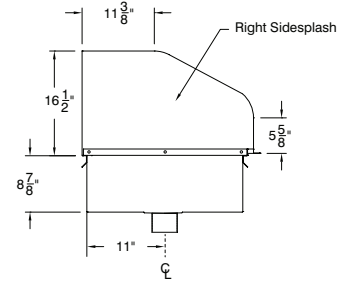
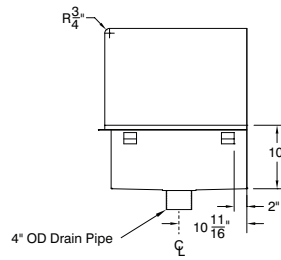
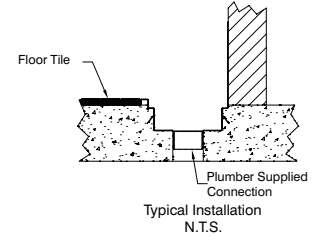
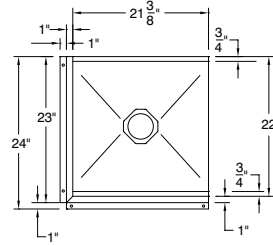
ALL DIMENSIONS ARE TYPICAL

TOL ± .500"

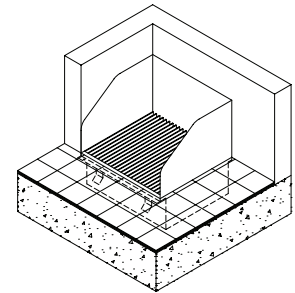
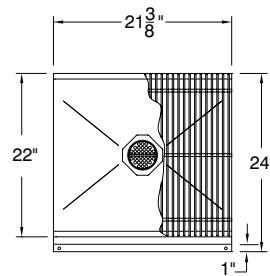
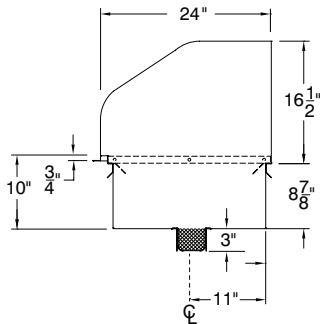
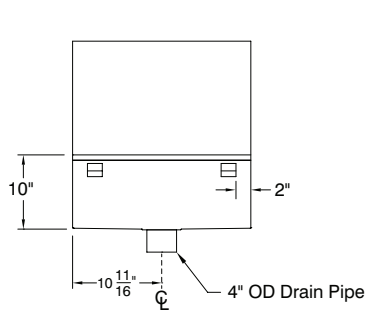
9-OP-24FM-SSL/ 9-OP-24FM-GL Shown



9-OP-24FM-SSR/ 9-OP-24FM-GR Shown



9-OP-24FM-SSRL/ 9-OP-24FM-GRL Shown



Mop Sink Accessories

Service Faucet For Mop Sinks

8" O.C.

K-240



Service Faucet Vacuum Breaker Repair Kit

K-03



Mop Sink Replacement Drain

K-16



Strainer Basket with Handle

FT-2



23" Wide Mop Hanger

K-242



Hose & Hanger

K-244

