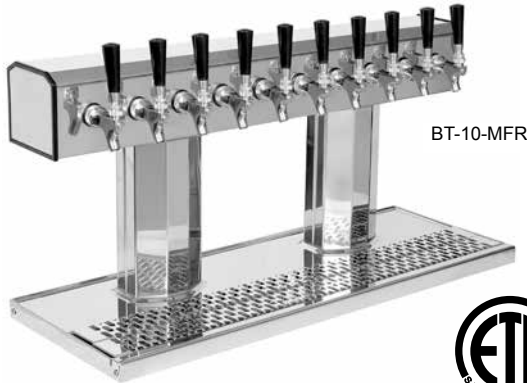


Project: _____	AIA# _____
Item #: _____ Qty: _____	SIS# _____
Model #: _____	

Tee Towers



BT-10-MFR

NOTE: Faucet handles not included.



Intertek

4004503

Conforms to NSF/ANSI STD 18



BT-5-SSR with optional Rinser Faucet Extension



BT- -

Size:
Specify the number of faucets from 4, 5, 6, 8, 10, 12

Stainless Steel finished as:
 SS = Grainline
 MF = Mirror
 PB = Brass

Standard Features

- All stainless steel construction
- Integral surface mount drain pan with lift-out perforated insert
- 1/4" shanks with 3/16" restriction lines
- Available in grainline finish, mirror finish, or brass finish* (*NOTE: Brass finish towers provided with mirror finish drain pan and brass finish perforated insert)
- Available with insulated cold plate assembly for recirculating system
- Available in 4, 5, 6, 8, 10, and 12 faucet sizes
- All models include all stainless steel faucets and shanks
- Eco friendly foamed-in-place insulated column for extra rigidity. Eco friendly foamed-in-place insulation has zero impact on global warming or ozone depletion.
- Unique internal support system for solid mounting
- Base plate serves as template for hole cutting
- Available with rinser faucet extension to the left or right of the drain pan. Specify RFE accessory.

To view cleaning and care instructions, please visit: https://www.glastender.com/PDF/F-423-011_ss_clean_care.pdf

Specifications

Drains

- Drain pan models - 1/2" tailpiece

Materials

- 20 gauge stainless steel parts include: head, column, drain pan, and perforated inserts
- 16 gauge galvanized steel parts include: subsurface head stiffener and base plate
- 11 gauge stainless steel parts include: inner column base and top plate and tower head mounting plate

Shank Sizes

- 1/4" I.D. with 3/16" fittings

Rinser Faucet (optional)

- Accepts 3/8" cold water lead
- 30 psi water pressure regulator included

NOTE: Rinser faucets are not intended for use with towers mounted to a refrigerator due to risk of water line freeze up.

Rinser Faucet Installation Notes

- Important: Unit must be installed in conformance with applicable federal, state, and local plumbing codes, including adequate backflow when required.
- Must install backflow prevention device conforming to ANSI/ASSE 1022 or ANSI/ASSE 1024 to meet plumbing code (not included).
- Install in-line water regulator (included).
- A separate shut-off valve is recommended (not included).

03012383
Rinser Faucet Assembly



Intertek

4004503
Conforms to NSF/ANSI STD 372

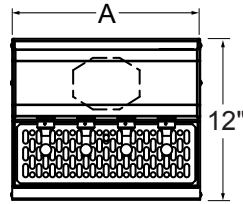
Glastender, Inc. • 5400 North Michigan Road • Saginaw, MI • 48604-9780 989.752.4275 • 800.748.0423 • Fax 989.752.4444 www.glastender.com	Approval/Notes:
Specifications subject to change without notice. For current specifications please visit our website.	

Tee Towers

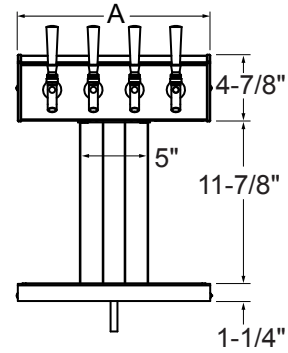
Dimensional Information

NOTE: Faucet handles not included.

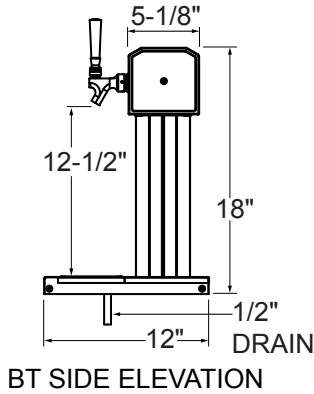
SINGLE COLUMN TEE TOWER			
FAUCETS	4	5	6
"A" WIDTH	14"	17"	20"



BT PLAN VIEW

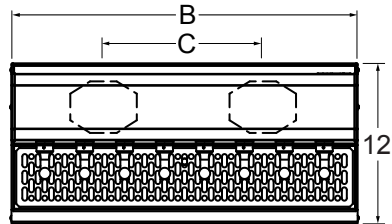


BT FRONT ELEVATION

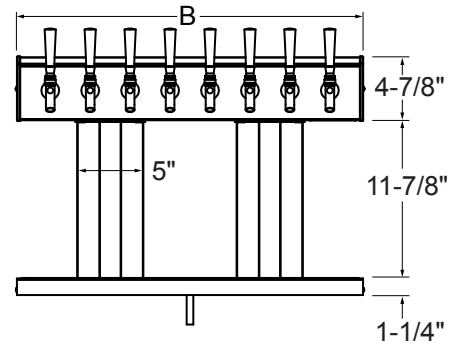


BT SIDE ELEVATION

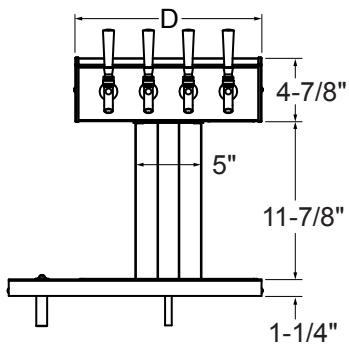
DOUBLE COLUMN TEE TOWER			
FAUCETS	8	10	12
"B" WIDTH	26"	32"	38"
"C" WIDTH	12"	15"	18"



BT PLAN VIEW

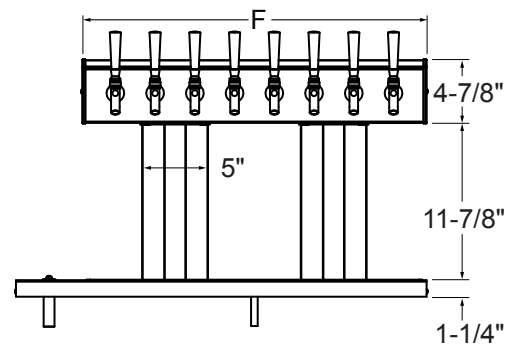


BT FRONT ELEVATION

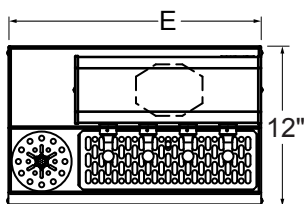


BT -RF FRONT ELEVATION

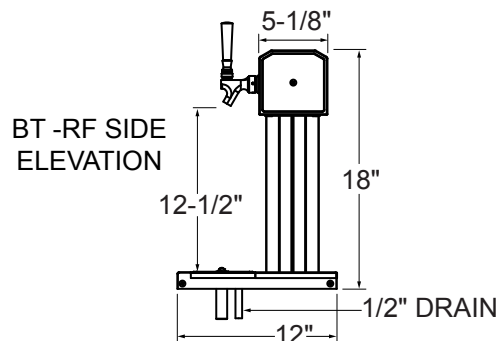
TEE TOWER W/RINSER FAUCET			
SINGLE COLUMN			
FAUCETS	4	5	6
"D" WIDTH	14"	17"	20"
"E" WIDTH	19"	22"	25"
DOUBLE COLUMN			
FAUCETS	8	10	12
"F" WIDTH	26"	32"	38"
"G" WIDTH	31"	37"	43"
"H" WIDTH	12"	15"	18"



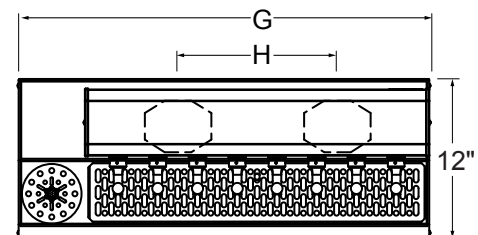
BT -RF FRONT ELEVATION



BT -RF PLAN VIEW



BT -RF SIDE ELEVATION



BT -RF PLAN VIEW