



Profit from the Eagle Advantage®

Specification Sheet

Short Form Specifications

Eagle Chef's Line® Extra-Deep Gas Griddle (with manual controls, thermostatic snap-action controls, or thermostatic snap-action controls with safety pilots), model _____. Heavy gauge stainless steel front and sides. 3/4"-thick griddle plate fully welded to top assembly. Controls at a 45° angle for ergonomic operation, 4" rear and side splashes, conversion pressure regulator with orifices for field conversion to LP. 7½-qt. stainless steel grease drawer and heavy duty cast metal legs with flanged feet. 31,250 BTU per burner. 3/4" N.P.T. rear gas connection. UL Gas Fired Listed.

Eagle Chef's Line® Extra-Deep Electric Griddle, model _____. Heavy gauge stainless steel front and sides. 3/4"-thick griddle plate fully welded to top assembly. Thermostatic snap-action controls adjustable from 100° to 450°F, 4000-watt heating elements are secured to underside of griddle plate for uniform heat distribution. Controls at a 45° angle for ergonomic operation, 4" rear and side splashes. 7½-qt. stainless steel grease drawer and heavy duty cast metal legs with flanged feet. 208V/240V, 60-Hz single-phase connection.



gas griddle

Cooking surfaces on all units

- 315 square inches on 15" (381mm) models
- 504 square inches on 24" (610mm) models
- 756 square inches on 36" (914mm) models
- 1008 square inches on 48" (1219mm) models

NOTE: INTENDED FOR OTHER THAN HOUSEHOLD USE. THESE COMMERCIAL APPLIANCES MUST BE INSTALLED WITHIN SURROUNDINGS AND VENTILATION REQUIREMENTS AS DICTATED BY NATIONAL AND/OR LOCAL CODE.

EAGLE GROUP

100 Industrial Boulevard, Clayton, DE 19938-8903 USA

Phone: 302-653-3000 • Fax: 302-653-2065

www.eaglegrp.com

Foodservice Division: Phone 800-441-8440

MHC/Retail Display Divisions: Phone 800-637-5100

For custom configuration or fabrication needs, contact our SpecFAB® Division.

Phone: 302-653-3000 • Fax: 302-653-2065 • e-mail: quotes@eaglegrp.com

Spec sheets available for viewing, printing or downloading from our online literature library at www.eaglegrp.com

Eagle Foodservice Equipment, Eagle MHC, SpecFAB®, and Retail Display are divisions of Eagle Group. ©2017 by the Eagle Group

Item No.: _____
 Project No.: _____
 S.I.S. No.: _____

RedHots® Chef's Line® Extra-Deep Griddles

MODELS:

- | | | |
|--|---|---|
| <input type="checkbox"/> CLAGGD-15-NG | <input type="checkbox"/> CLAGGDT-24-NG | <input type="checkbox"/> CLAGGDTS-36-NG |
| <input type="checkbox"/> CLAGGD-24-NG | <input type="checkbox"/> CLAGGDT-36-NG | <input type="checkbox"/> CLAGGDTS-48-NG |
| <input type="checkbox"/> CLAGGD-36-NG | <input type="checkbox"/> CLAGGDT-48-NG | <input type="checkbox"/> CLEGD-24-240 |
| <input type="checkbox"/> CLAGGD-48-NG | <input type="checkbox"/> CLAGGDTS-15-NG | <input type="checkbox"/> CLEGD-36-240 |
| <input type="checkbox"/> CLAGGDT-15-NG | <input type="checkbox"/> CLAGGDTS-24-NG | <input type="checkbox"/> CLEGD-48-240 |



Gas Units

- Available with manual controls, thermostatic snap-action controls, or thermostatic snap-action controls with safety pilot.
- 31,250 BTU burner per every 12" (305mm) for even heat distribution.
- Natural gas and liquid propane units available.
- 3/4" (19mm) N.P.T. gas connection.

Electric Units

- Thermostatic snap-action controls adjust from 100° to 450°F.
- 4000-watt tubular heating elements secured to underside of griddle plate to provide uniform heat distribution.
- Internal wiring terminated in a junction box at rear for field wiring.
- Front-to-back dimension, including junction box, is 29 3/4" (746mm).

Design and construction features on all units

- Smooth 3/4" (19mm)-thick polished steel griddle plate fully welded to top assembly.
- 4" (102mm) sides and rear splash sloped front-to-back.
- Bullnosed edge provides solid protection for controls, which are at a 45° angle for ergonomic operation.
- 3 1/2" (89mm)-wide front trough with chute, located at the left edge, accommodates standard sized spatula.
- Heavy duty cast metal legs with flanged feet adjustable from 4" to 5" (102 to 127mm).
- 7½-quart polished stainless steel grease drawer.
- Chrome knobs.
- Available in 15", 24", 36", and 48" (381, 610, 914, 1219mm) widths to meet available space and volume requirements.

Warranty

- Backed by a 1-YEAR Parts & Labor Warranty.

Certifications / Approvals



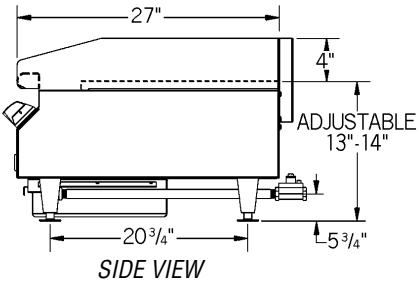
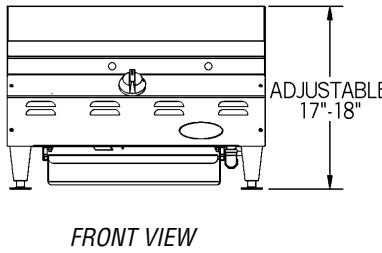
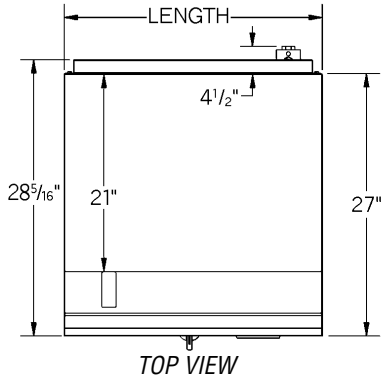
EG35.26 Rev. 10/17



Item No.: _____
 Project No.: _____
 S.I.S. No.: _____

RedHots® Chef's Line® Extra-Deep Griddles

Gas Griddles

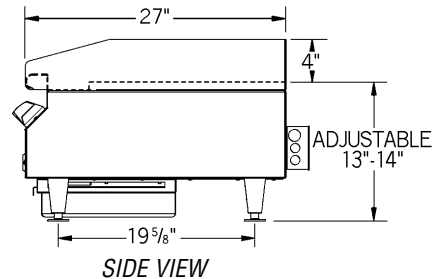
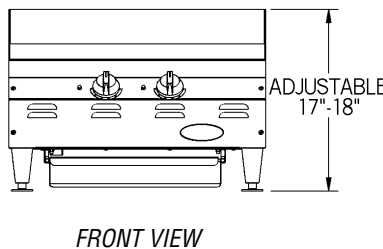
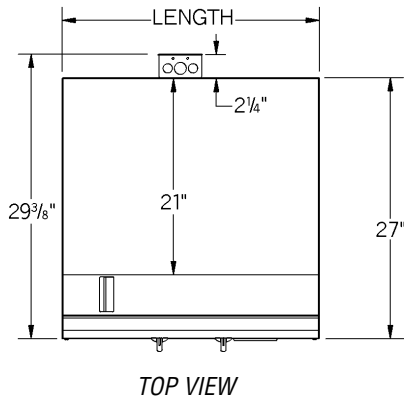


Natural Gas units shown in chart below. To order Liquid Propane units, replace suffix "-NG" in model number with suffix "-LP".

MANUAL CONTROLS model #	THERMOSTATIC* CONTROLS model #	THERMOSTATIC CONTROLS* WITH SAFETY PILOTS model #	width		weight		BTU rating	cooking surface	water** column pressure	
			in.	mm	lbs.	kg			in.	mm
CLAGGD-15-NG	CLAGGDT-15-NG	CLAGGDTS-15-NG	15"	381	173	78.5	31,250	315 sq. in.	3 1/2"	89
CLAGGD-24-NG	CLAGGDT-24-NG	CLAGGDTS-24-NG	24"	610	234	106.1	62,500	504 sq. in.	3 1/2"	89
CLAGGD-36-NG	CLAGGDT-36-NG	CLAGGDTS-36-NG	36"	914	341	154.7	94,000	756 sq. in.	3 1/2"	89
CLAGGD-48-NG	CLAGGDT-48-NG	CLAGGDTS-48-NG	48"	1219	401	181.9	125,000	1008 sq. in.	3 1/2"	89

* Snap-action controls; ** 4" (102mm) water column pressure for natural gas units, 9 1/2" (241mm) for liquid propane units.

Electric Griddles



model #	electric data (based on single phase connection)	width		weight		cooking surface
		in.	mm	lbs.	kg	
CLEGD-24-240	208V/240V, 28.9A/33.3A, 6000W/8000W	24"	610	237	107.5	504 sq. in.
CLEGD-36-240	208V/240V, 43.3A/50.0A, 9000W/12000W	36"	914	344	156.0	756 sq. in.
CLEGD-48-240	208V/240V, 57.7A/66.7A, 12000W/16000W	48"	1219	404	183.2	1008 sq. in.

EAGLE GROUP
 100 Industrial Boulevard, Clayton, DE 19938-8903 USA
 Phone: 302-653-3000 • Fax: 302-653-2065
 www.eaglegrp.com

Foodservice Division: Phone 800-441-8440
 MHC/Retail Display Divisions: Phone 800-637-5100

Printed in U.S.A.
 ©2017 by Eagle Group
 Rev. 10/17

Spec sheets available for viewing, printing or downloading from our online literature library at www.eaglegrp.com

Although every attempt has been made to ensure the accuracy of the information provided, we cannot be held responsible for typographical or printing errors. Information and specifications are subject to change without notice. Please confirm at time of order.