



Profit from the Eagle Advantage®

Specification Sheet

Short Form Specifications

Eagle Soiled Dishtables, model _____. Top to be 16/430, 16/304, or 14/304 stainless steel with all seams welded, ground smooth, and polished. Front and ends to have 3"-high upturn with a 1½"-diameter rolled edge. Galvanized hat channels welded to underside. Backsplash is 8"-high. 20½" opening for dishwasher. 20" x 20" x 5" deep stainless steel prerinse sink with basket drain, hole for deck mounted prerinse spray, and rubber scrap block provided. Legs to be 1½" O.D. galvanized tubing with 1" diameter crossbracing and adjustable bullet feet (14/304 models come standard with stainless steel hat channels welded to underside of table, stainless steel crossbraced legs, and adjustable metal feet).



right-hand model shown with optional deck-mount prerinse unit (dishwasher not included)

Options / Accessories

- Lever drain
- Faucet/prerinse
- Stainless steel legs/feet
- Overshelf/Rack shelf
- Scrap basket/rack slide
- Undershelves
- Disposal collar
- Disposal cone
- Disposal switch bracket

EAGLE GROUP
 100 Industrial Boulevard, Clayton, DE 19938-8903 USA
 Phone: 302-653-3000 • Fax: 302-653-2065
 www.eaglegrp.com

Foodservice Division: Phone 800-441-8440
MHC/Retail Display Divisions: Phone 800-637-5100

For custom configuration or fabrication needs, contact our **SpecFAB® Division**.
 Phone: 302-653-3000 • Fax: 302-653-2965 • e-mail: quotes@eaglegrp.com

Item No.: _____
 Project No.: _____
 S.I.S. No.: _____

Soiled Dishtables— Corner Design

MODELS:

- | | | |
|--|--|---|
| <input type="checkbox"/> SDTCL-60-16/4 | <input type="checkbox"/> SDTCL-84-16/4 | <input type="checkbox"/> SDTCL-108-16/4 |
| <input type="checkbox"/> SDTCL-60-16/3 | <input type="checkbox"/> SDTCL-84-16/3 | <input type="checkbox"/> SDTCL-108-16/3 |
| <input type="checkbox"/> SDTCL-60-14/3 | <input type="checkbox"/> SDTCL-84-14/3 | <input type="checkbox"/> SDTCL-108-14/3 |
| <input type="checkbox"/> SDTCR-60-16/4 | <input type="checkbox"/> SDTCR-84-16/4 | <input type="checkbox"/> SDTCR-108-16/4 |
| <input type="checkbox"/> SDTCR-60-16/3 | <input type="checkbox"/> SDTCR-84-16/3 | <input type="checkbox"/> SDTCR-108-16/3 |
| <input type="checkbox"/> SDTCR-60-14/3 | <input type="checkbox"/> SDTCR-84-14/3 | <input type="checkbox"/> SDTCR-108-14/3 |
| <input type="checkbox"/> SDTCL-72-16/4 | <input type="checkbox"/> SDTCL-96-16/4 | <input type="checkbox"/> SDTCL-120-16/4 |
| <input type="checkbox"/> SDTCL-72-16/3 | <input type="checkbox"/> SDTCL-96-16/3 | <input type="checkbox"/> SDTCL-120-16/3 |
| <input type="checkbox"/> SDTCL-72-14/3 | <input type="checkbox"/> SDTCL-96-14/3 | <input type="checkbox"/> SDTCL-120-14/3 |
| <input type="checkbox"/> SDTCR-72-16/4 | <input type="checkbox"/> SDTCR-96-16/4 | <input type="checkbox"/> SDTCR-120-16/4 |
| <input type="checkbox"/> SDTCR-72-16/3 | <input type="checkbox"/> SDTCR-96-16/3 | <input type="checkbox"/> SDTCR-120-16/3 |
| <input type="checkbox"/> SDTCR-72-14/3 | <input type="checkbox"/> SDTCR-96-14/3 | <input type="checkbox"/> SDTCR-120-14/3 |

Design and Construction Features

- 16 or 14 gauge stainless steel.
- 30" (762mm)-wide table with choice of lengths ranging from 60" to 120" (1524 to 3048mm).
- Left or right operation.
- Scrap block hole, 20" x 20" x 5" (508 x 508 x 127mm) prerinse sink, and hole for deck-mount prerinse faucet standard.
- Adjustable non-marking feet with up to 1" (25mm) adjustment.
- 1½" (41mm)-diameter galvanized legs with welded 1" (25mm) diameter crossbrace.
- Full range of options and accessories.
- All Spec-Master® 14 gauge type 304 dishtables come standard with stainless steel crossbraced legs and gussets.



Spec sheets available for viewing, printing or downloading from our online literature library at www.eaglegrp.com

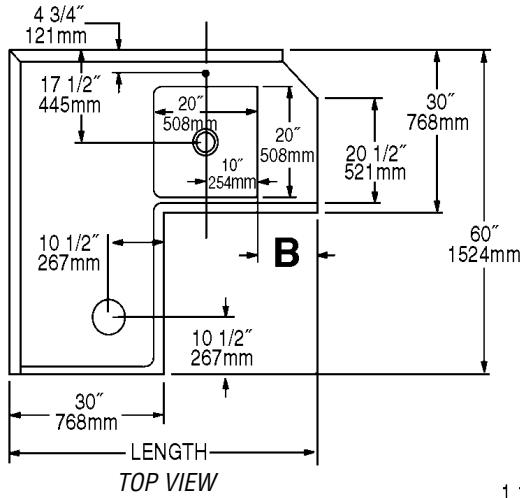


Profit from the Eagle Advantage®

Item No.: _____
 Project No.: _____
 S.I.S. No.: _____

Soiled Dishtables—Corner Design

Standard Sizes

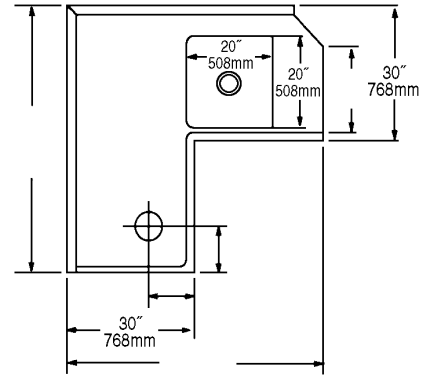


Dimension B

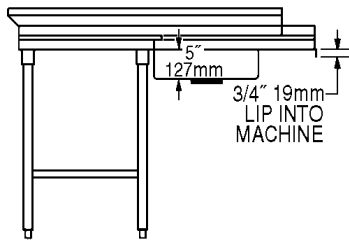
- 11½" – for all 60" tables.
- 23½" – for all 72" tables.
- 35½" – for all 84" tables.
- 47½" – for all 96" tables.
- 59½" – for all 108" tables.
- 71½" – for all 120" tables.

Please review dishwasher for size and location of control box.

Custom Sizes

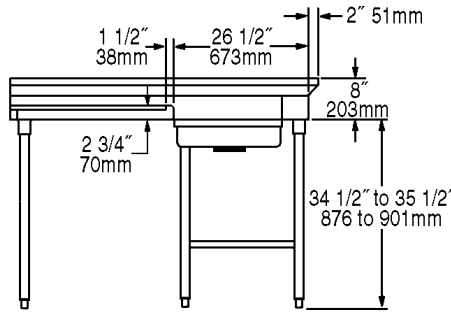


(left-hand model shown)



FRONT VIEW

(left-hand model shown)



SIDE VIEW

16 gauge type 430 model #	16 gauge type 304 model #	Spec-Master® 14 gauge type 304 model #	description	length		weight	
				in.	mm	lbs.	kg
SDTCL-60-16/4	SDTCL-60-16/3	SDTCL-60-14/3	left-hand model	60"	1524	170	77.1
SDTCR-60-16/4	SDTCR-60-16/3	SDTCR-60-14/3	right-hand model	60"	1524	170	77.1
SDTCL-72-16/4	SDTCL-72-16/3	SDTCL-72-14/3	left-hand model	72"	1829	180	81.6
SDTCR-72-16/4	SDTCR-72-16/3	SDTCR-72-14/3	right-hand model	72"	1829	180	81.6
SDTCL-84-16/4	SDTCL-84-16/3	SDTCL-84-14/3	left-hand model	84"	2134	190	86.2
SDTCR-84-16/4	SDTCR-84-16/3	SDTCR-84-14/3	right-hand model	84"	2134	190	86.2
SDTCL-96-16/4	SDTCL-96-16/3	SDTCL-96-14/3	left-hand model	96"	2438	200	90.7
SDTCR-96-16/4	SDTCR-96-16/3	SDTCR-96-14/3	right-hand model	96"	2438	200	90.7
SDTCL-108-16/4	SDTCL-108-16/3	SDTCL-108-14/3	left-hand model	108"	2743	210	95.3
SDTCR-108-16/4	SDTCR-108-16/3	SDTCR-108-14/3	right-hand model	108"	2743	210	95.3
SDTCL-120-16/4	SDTCL-120-16/3	SDTCL-120-14/3	left-hand model	120"	3048	220	99.8
SDTCR-120-16/4	SDTCR-120-16/3	SDTCR-120-14/3	right-hand model	120"	3048	220	99.8

EAGLE GROUP
 100 Industrial Boulevard, Clayton, DE 19938-8903 USA
 Phone: 302-653-3000 • Fax: 302-653-2065
 www.eaglegrp.com

Foodservice Division: Phone 800-441-8440
 MHC/Retail Display Divisions: Phone 800-637-5100

Printed in U.S.A.
 ©2017 by Eagle Group
 Rev. 11/17

Spec sheets available for viewing, printing or downloading from our online literature library at www.eaglegrp.com

Although every attempt has been made to ensure the accuracy of the information provided, we cannot be held responsible for typographical or printing errors. Information and specifications are subject to change without notice. Please confirm at time of order.