

## Open Merchandisers 35E Series – 60"H – Endless Design – Meat



| Model No.              | Description    | Length | Depth | Height | Voltage     | Amps | HP/BTUs | Power Cord | Est. Ship Weight |
|------------------------|----------------|--------|-------|--------|-------------|------|---------|------------|------------------|
| <b>SC-OM35E-3L-LED</b> | Self Contained | 39"    | 34.5" | 60"    | 115         | 14.0 | 1/2     | 5-20P      | 700              |
| <b>SC-OM35E-4L-LED</b> | Self Contained | 51"    | 34.5" | 60"    | 115         | 15.0 | 1/2     | 5-20P      | 965              |
| <b>SC-OM35E-5L-LED</b> | Self Contained | 63"    | 34.5" | 60"    | 115/208-230 | 16.0 | 3/4     | L14-20P    | 1070             |
| <b>SC-OM35E-6L-LED</b> | Self Contained | 75"    | 34.5" | 60"    | 115/208-230 | 16.0 | 3/4     | L14-20P    | 1175             |
| <b>R-OM35E-3L-LED</b>  | Remote         | 39"    | 34.5" | 60"    | 115         | 2.0  | 3550    | No         | 575              |
| <b>R-OM35E-4L-LED</b>  | Remote         | 51"    | 34.5" | 60"    | 115         | 3.0  | 4733    | No         | 790              |
| <b>R-OM35E-5L-LED</b>  | Remote         | 63"    | 34.5" | 60"    | 115         | 4.0  | 5916    | No         | 895              |
| <b>R-OM35E-6L-LED</b>  | Remote         | 75"    | 34.5" | 60"    | 115         | 4.0  | 7100    | No         | 1000             |

MODEL NUMBER PREFIX - SC = Self Contained R = Remote

MODEL NUMBER SUFFIX - W = White B = Black S = Stainless Steel LED = LED lighting

- Cases are designed to operate at 75 degrees Fahrenheit and 55% relative humidity
- Cases are equipped with drains; check your local building codes for connection requirements.
- Specification subject to change without notice

IF COLORS ARE MIXED AN ADDITIONAL CHARGE WILL APPLY



## Open Merchandisers 35E Series – 60"H – Endless Design – Meat Standard Specifications and Optional Features

### CONSTRUCTION

- UL Classified to ANSI/NSF 7
- Foamed in place CFC free foam
- Heavy gauge steel super structure
- Multi deck
- Endless design allows for continuous line up

### INTERIOR

- White, black, or stainless steel end panels
- Removable white, black, or stainless steel floor pans
- White, black, or stainless steel perforated rear wall (for even air distribution)
- Full length lighting at top of unit
- 2 levels of shelving
- 3 levels of product display
- Stylish price tag molding on each shelf
- 3" Product stop on each shelf

### EXTERIOR

- White, black, or stainless steel ends and front
- Removeable front grill allows for cleaning and servicing
- 1" bumper
- Choice of end panels

### FINISHES

- White, black, or stainless steel front rail
- White, black, or stainless steel end trim
- Laminate, and custom paints available
- White, black, or stainless steel end panels
- White, black, or stainless steel rear panels

### LIGHTING

- 1 row at inside top of unit
- 2 rows of lighted shelving

### ELECTRICAL REQUIREMENTS

- Self contained unit comes with cord and plug
- UL/CUL listed
- See Tech page for details on voltage

### REFRIGERATION

- Self Contained; - expansion valve system
- Remote; R448A expansion valve system
- Low velocity fans located below deck area (to insure even flow of air)
- Electronic Control System with automatic air defrost to maintain balanced temperatures
- New high efficiency air screen technology
- Self contained system
- Copeland hermetic unit
- Remotes available

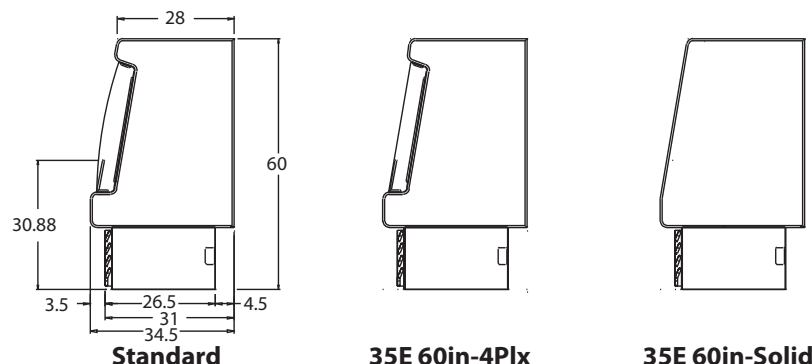
### OPTIONAL FEATURES

- Solid state lighting
- Night covers
- Peg bars
- Security cover
- Step shelves
- Insulated divider for line ups
- Plexiglas divider for line ups
- Stainless steel, laminated or paint
- Product stops on shelving
- Colored bumper
- Choice of end panels
- Digital thermometer

### Important Note:

**All refrigerated cases are designed to operate in an environment of 75 degrees and 55% relative humidity. Product must be cooled before being displayed within the case.**

**DRAIN IS REQUIRED**



## Open Merchandisers 35E Series – 60"H – Endless Design – Meat

### Technical Data

| Model No.                     | SC<br>R     | SC-OM35E-3L-LED<br>R-OM35E-3L-LED | SC-OM35E-4L-LED<br>R-OM35E-4L-LED | SC-OM35E-5L-LED<br>R-OM35E-5L-LED | SC-OM35E-6L-LED<br>R-OM35E-6L-LED |
|-------------------------------|-------------|-----------------------------------|-----------------------------------|-----------------------------------|-----------------------------------|
| Length with (2) ends          |             | 39"                               | 51"                               | 63"                               | 75"                               |
| Length without ends           |             | 36"                               | 48"                               | 60"                               | 72"                               |
| Height with ends              |             | 60"                               | 60"                               | 60"                               | 60"                               |
| Height without ends           |             | 59.5"                             | 59.5"                             | 59.5"                             | 59.5"                             |
| Depth with ends               |             | 34.5"                             | 34.5"                             | 34.5"                             | 34.5"                             |
| Depth without ends            |             | 34"                               | 34"                               | 34"                               | 34"                               |
| Endless design                |             | YES                               | YES                               | YES                               | YES                               |
| (Dimensions are +/- 1/4")     |             |                                   |                                   |                                   |                                   |
| Operating temperature         |             | 34°F to 38°F                      | 34°F to 38°F                      | 34°F to 38°F                      | 34°F to 38°F                      |
| Refrigerant (expansion valve) | SC/R        | - / R448A                         | - / R448A                         | - / R448A                         | - / R448A                         |
| Compressor size HP            | SC          | 1/2                               | 1/2                               | 3/4                               | 3/4                               |
| Defrost per day (24 hours)    | Air Defrost | 6 per day                         | 6 per day                         | 6 per day                         | 6 per day                         |
| BTU's at +20°F Evap. Temp.    | R           | 3550                              | 4733                              | 5916                              | 7100                              |
| Voltage                       | SC          | 115                               | 115                               | 115/208-230                       | 115/208-230                       |
| Amperage                      | SC          | 14.0                              | 15.0                              | 16.0                              | 16.0                              |
| Remote Voltage                | R           | 115                               | 115                               | 115                               | 115                               |
| Amperage, lights & fans only  | R           | 2.0                               | 3.0                               | 4.0                               | 4.0                               |
| Cord and plug                 | SC          | 5-20P                             | 5-20P                             | L14-20P                           | L14-20P                           |
|                               | R           | NO                                | NO                                | NO                                | NO                                |
| Exterior color                |             | W, B, S                           | W, B, S                           | W, B, S                           | W, B, S                           |
| Interior color                |             | W, B, S                           | W, B, S                           | W, B, S                           | W, B, S                           |
| # of rows / shelves           |             | 1/1                               | 1/1                               | 1/2                               | 1/2                               |
| Shelf Size                    |             | (1) 16"<br>(1) 18"                | (1) 16"<br>(1) 18"                | (1) 16"<br>(1) 18"                | (2) 16"<br>(2) 18"                |
| Shipping Info                 |             |                                   |                                   |                                   |                                   |
| Height                        |             | 65"                               | 65"                               | 65"                               | 65"                               |
| Depth                         |             | 44"                               | 44"                               | 44"                               | 44"                               |
| Length                        |             | 61"                               | 61"                               | 72"                               | 86"                               |
| Gross weight (SC/R)           |             | 655/520                           | 685/585                           | 768/728                           | 850/810                           |
| Cubic feet                    |             | 100                               | 100                               | 119                               | 142                               |

**(ALL WHITE OR ALL BLACK, NO EXTRA CHARGE—IF COLORS ARE MIXED AN ADDITIONAL CHARGE WILL APPLY)**

#### Prefix

SC = Self Contained  
R = Remote

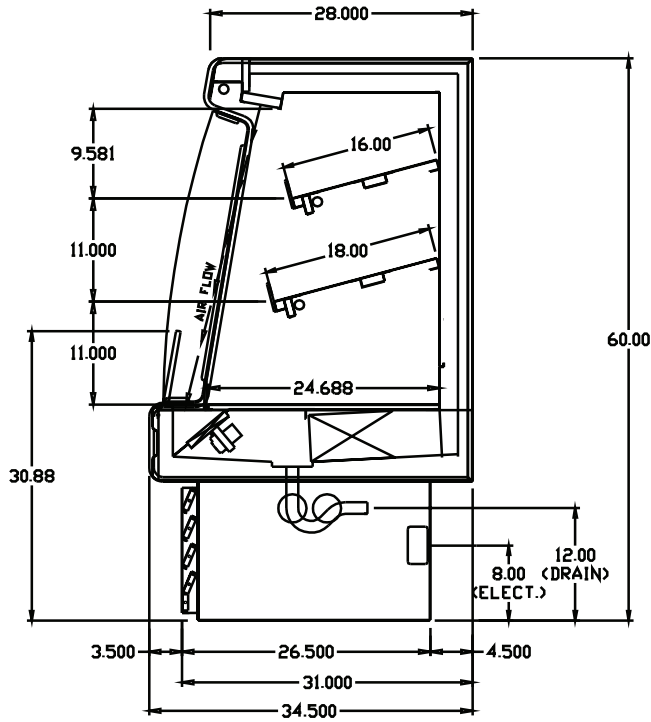
#### Suffix

B = Black  
W = White  
S = Stainless Steel  
LED = LED lighting

- Cases are designed to operate at 75 degrees Fahrenheit and 55% relative humidity
- Cases are equipped with drains; check your local building codes for connection requirements.
- Specification subject to change without notice

## Open Merchandisers 35E Series – 60"H – Endless Design – Meat Technical Data • Side View • Plan View

### Side View



### Floor Plan Views

