

Step up to quality . . . Curtis Alpha™ Decanter Warming Plates.

Curtis' ALPHA Warming Plates are the perfect complement to any ALPHA or Decanter Brewing System. Designed to keep coffee hot, fresh and delicious, the warmers are easily located in key traffic areas to create additional coffee service stations. ALPHA Warming Plates operate on standard 120VAC power, and are available in three space- saving configurations.

AW- 1 Features a single warmer in a low-profile design.

AW- 2 A double warmer in a low-profile, side-by-side design. Each warming plate is individually operated.



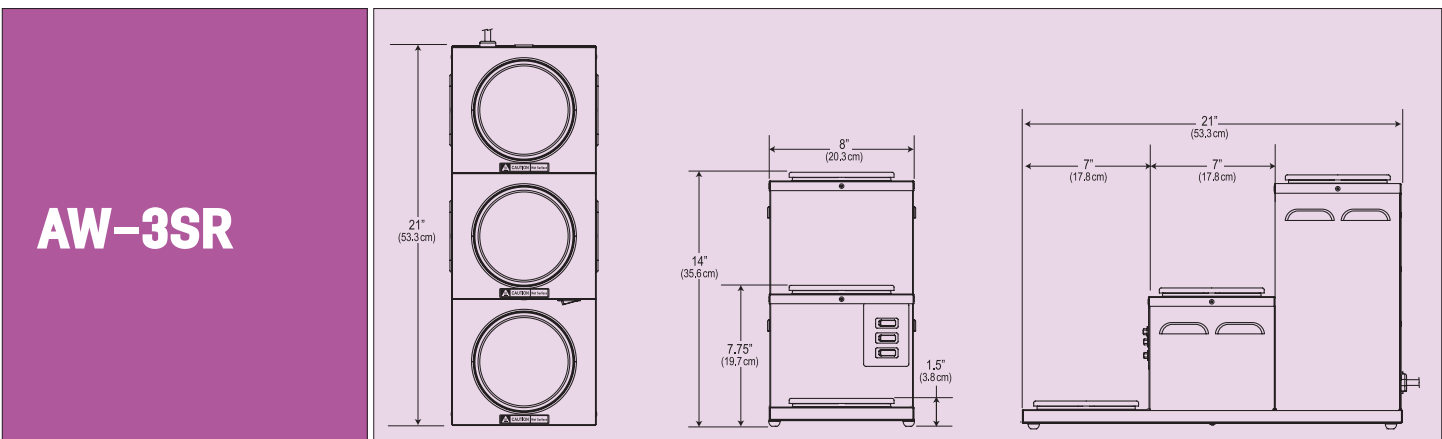
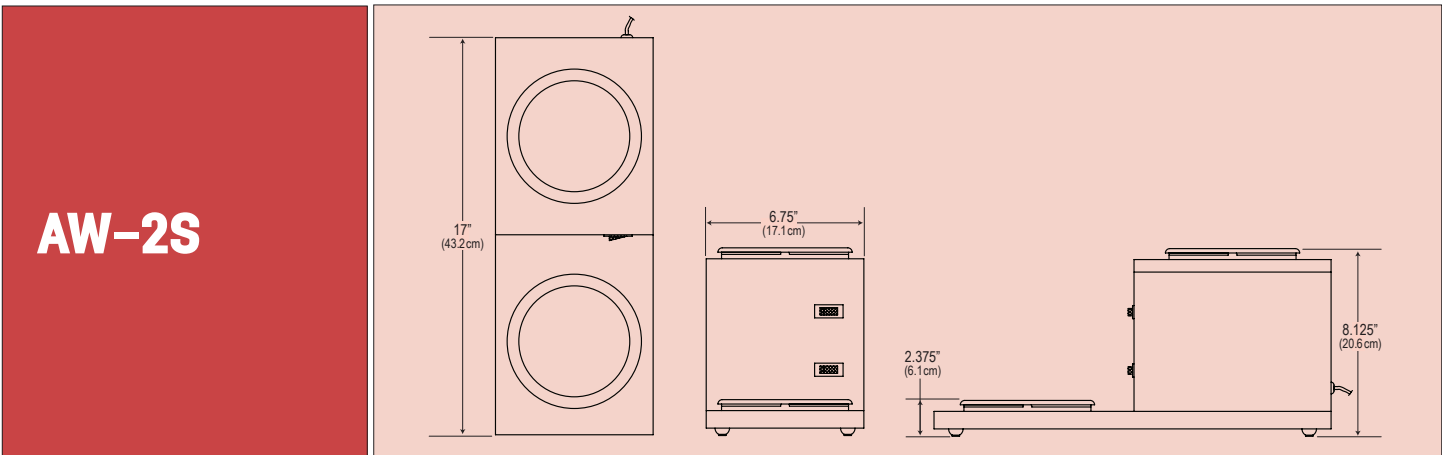
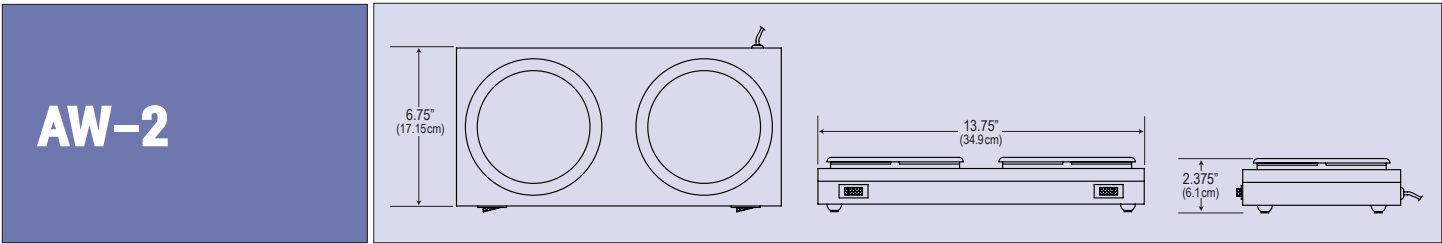
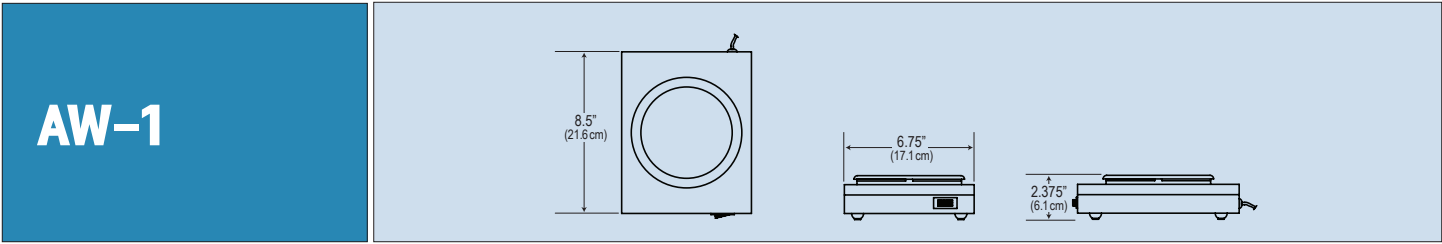
AW-2S Two-tiered double warming plate system, designed for narrow counter space requirements. Individually operated warming plates.

AW-3SR Three-tiered step-up warming plate system is designed for narrow counter space requirements. Individually operated warming plates.

ITEM NO

PROJECT

DATE



Specifications	Dimensions* (H x W x D)	Voltage** (Incl. 6' 3-Prong Cord)	Power Requirements	Shipping Weight (lbs.)	Cube (cu. ft.)
AW-1	2.375" x 6.75" x 8.5" *	120VAC/60Hz	100W/.78A	4 lbs.	1
AW-2	2.375" x 13.75" x 6.75" *	120VAC/60Hz	180W/1.47A	4 lbs.	1
AW-2S	8.25" x 6.75" x 17" *	120VAC/60Hz	180W/1.47A	8 lbs.	1
AW-3SR	21" x 8" x 21" *	115VAC/60Hz	270W/2.25A	12 lbs.	4

*Height dimension does not include decanters
 ** Optional 220V available.



WILBUR CURTIS COMPANY, INC.
 6913 Acco Street, Montebello, CA 90640-5403
 Telephone: 800-421-6150 · 323-837-2300
 Fax: 323-837-2406
 www.wilburcurtis.com

