



Electrolux

EMPower Mixed (1/3 Ribbed) Gas Griddle Top - 24"

ITEM # _____

MODEL # _____

NAME # _____

SIS # _____

AIA # _____



EMPower

Mixed (1/3 Ribbed) Gas Griddle Top - 24"

169116 (ARG24FR)

EMPower Restaurant Range griddle, 24" wide, gas, 52,000 BTU, 1/3 ribbed top, with 4" adjustable, removable legs

Short Form Specification

Item No. _____

EMPower unit to be Electrolux Compact Line Ribbed Gas Griddle Top with three individually controlled high efficiency 26,000 BTU (7,6 kW) burners. Suitable for natural gas or propane gas. Thick 1" (25 mm) highly polished mild steel griddle plate maintains selected temperatures and assures quick recovery. Stainless steel grease trough, one piece rolled front. Two large 1 gal. (3.8 lt) removable grease collector drawers. Insulated cooktop to conserve energy. Front, side and top panels of EMPower unit in Stainless steel with Scotch Brite finish. EMPower unit has right-angled side edges to allow flush-fitting junction between EMPower units.

In North America, products are covered by Electrolux Platinum Star® Service Program two-year parts and one-year labor warranty, installation start-up and performance check-up after one year from installation.



APPROVAL: _____

Main Features

- Three individually controlled high efficiency 7,6 kW burners.
- Thick 25 mm highly polished mild steel griddle plate maintains selected temperatures and assures quick recovery.
- Stainless steel grease trough, one piece rolled front.
- Two large 3.8 lt removable grease collector drawers.
- Insulated cooktop to conserve energy.
- Flame failure device to protect against accidental extinguishing of the flame.
- All major compartments located in front of unit for ease of maintenance.
- Front, side and rear panels in Stainless Steel with Scotch Brite finish.
- Right-angled side edges to allow flush fitting joints between units, eliminating gaps and possible dirt traps.
- Kit for installation of top units to neutral bases and cupboards provided as standard.
- Included Accessories: propane converter kit, pressure regulator.
- In compliance with ETL Certification (UL & NSF).
- Configured for Natural Gas, LP Conversion Kit Included.

Construction

- 4 screws to install on the cupboard base are supplied with the unit.
- Gas pressure regulator is supplied with the unit.

Optional Accessories

- Scraper for smooth griddle PNC 164255
- EMPower - 4 pins to fix top to refrigerated/open base PNC 169048
- EMPower back mounted rear shelf-spacer, 24" unit PNC 169098
- Portioning Shelf 12" PNC 169173
- Portioning Shelf 16" PNC 169174
- Portioning Shelf 24" PNC 169175
- Scraper for ribbed griddle PNC 206420



Electrolux

Mixed (1/3 Ribbed) Gas Griddle Top - 24"

EMPower

Electrolux Professional, Inc.

www.electroluxusa.com/professional

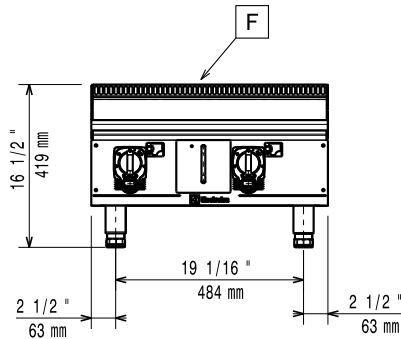
10200 David Taylor Drive, Charlotte, NC 28262 • Telephone Number: 866-449-4200 • Fax Number: 704-547-7401



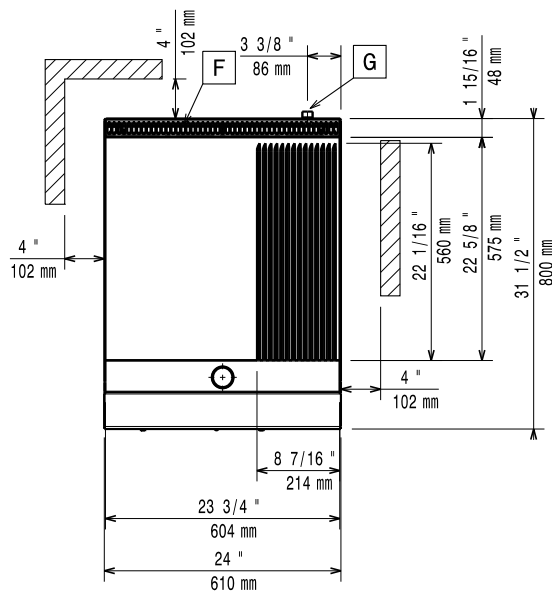
Electrolux

EMPower Mixed (1/3 Ribbed) Gas Griddle Top - 24"

Front

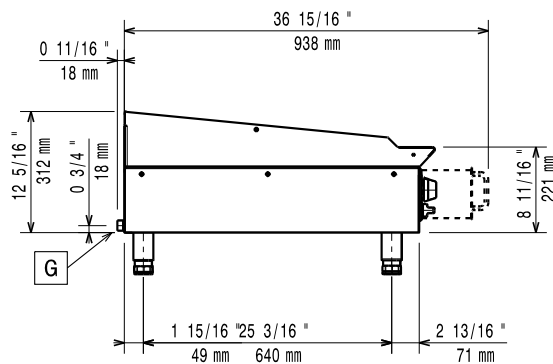


Top



- EQ = Equipotential screw
- G = Gas connection

Side



Gas

Gas Power:

169116 (ARG24FR)

52000 Btu/hr (15.2 kW)

Gas Type Option:

Propane

Gas Inlet:

3/4"

Key Information:

External dimensions, Width: 24 1/32" (610 mm)

External dimensions, Depth: 31 1/2" (800 mm)

External dimensions, Height: 16 1/2" (419 mm)

Net weight: 159 lbs (72 kg)

Shipping width: 35 7/16" (900 mm)

Shipping depth: 26" (660 mm)

Shipping height: 25 1/2" (648 mm)

Shipping weight: 176 lbs (80 kg)

Shipping volume: 13.59 ft³ (0.38 m³)

If appliance is set up or next to or against temperature sensitive furniture or similar, a safety gap of approximately 150 mm should be maintained or some form of heat insulation fitted.