



STOWAWAY® PORTABLE BAR



PB5-24IB-TBK

FEATURES:

- Exterior - Heavy Duty Aluminum with 8 mil. Vinyl-Metal Laminate (Both Sides) -- Standard Black Matte
- Heavy Gauge 304 Stainless Steel Work Surface and Storage Base (In Open Position, Base Provides Large Storage Area for Glasses, Bottles, Etc.)
- 304 Stainless Steel, 24" Insulated Ice Bin (11" Deep) with 1 1/2" Standard Male Pipe Thread with Drain Shut Off
- Includes 304 Stainless Steel 24" Keyhole Speedrail and Sliding Cover
- 5" Casters - 2 Fixed; 2 Locking Brake and Swivel
- Perimeter Trim Bumper
- Lockable Cabinet Latches
- Additional Vinyl Laminate Finishes Available - See Sales Brochure for Colors

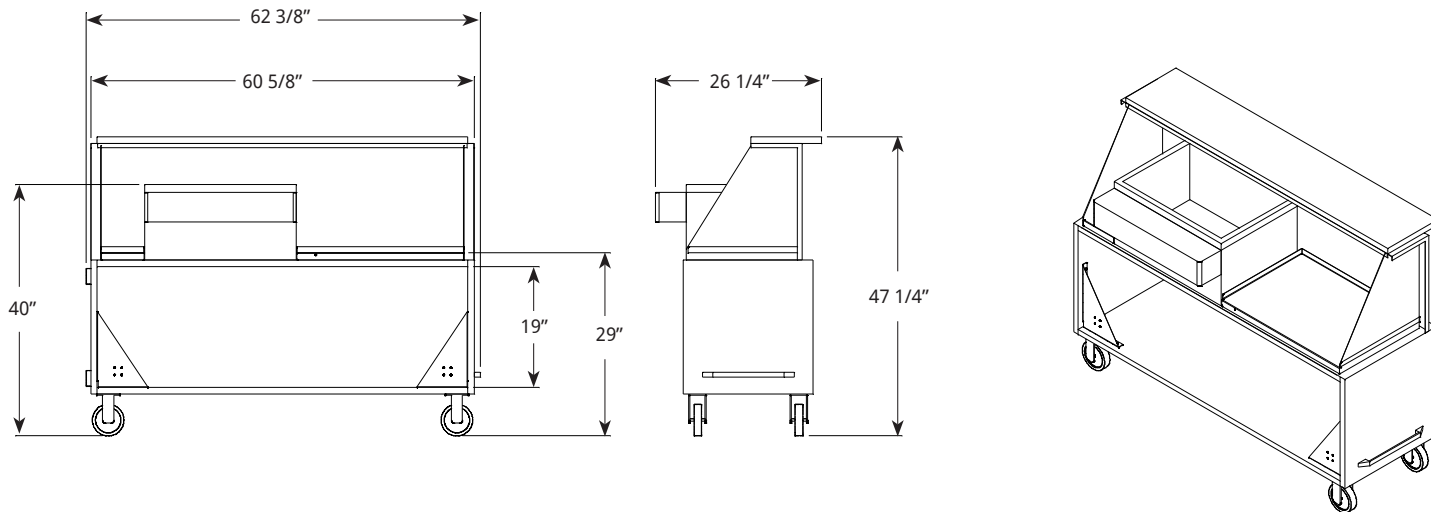
MODEL NUMBERS:

Description	Finish	Model
Portable Bar	Black	PB5-24IB-TBK
Custom Finish	Carmine Cherry	PB5-24IBWCC
	Manhattan Walnut	PB5-24IB-WMW
	American Natural	PB5-24IB-WAN
	Russian Maple	PB5-24IB-WRM
	Boston Cherry	PB5-24IB-WBC
	White	PB5-24IB-FFW

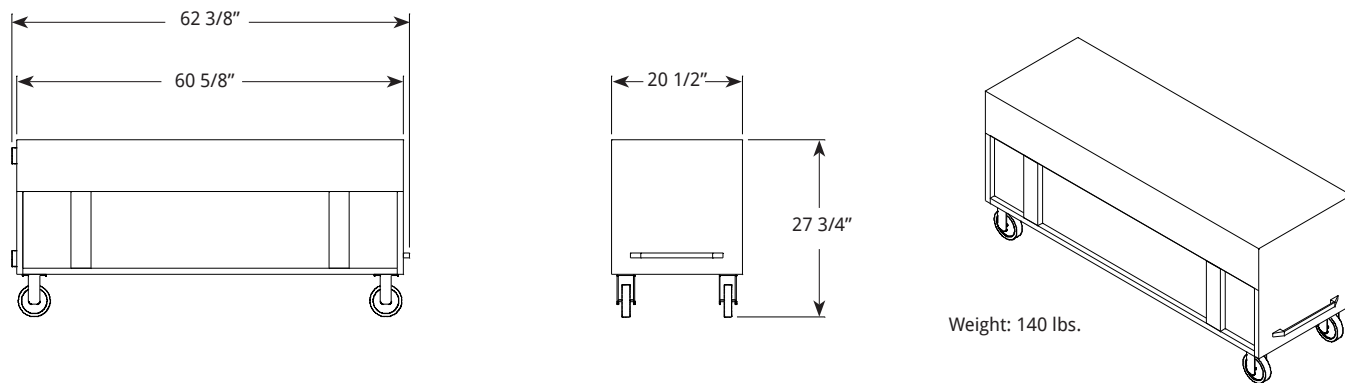
U.S. Patent Number 5,281,016

STOWAWAY PORTABLE BAR

OPEN:



CLOSED FOR STORAGE:



Contact factory or local representative for further information.

LaCrosse has a policy of continuous product improvement, and reserves the right to change design and specifications without notice.

L#1036.1016