

Project: _____	AIA# _____
Item #: _____ Qty: _____	SIS# _____
Model #: _____	

Mug Frosters



MF48-S2



Intertek
 EP 5016978
 Energy Performance
 Verified / Rendement
 Énergétique Vérifié



Intertek



Intertek

4004503

Conforms to NSF/ANSI STD 7 and UL STD 471
 Certified to CSA STD C22.2 No. 120

MF - - -

Size:
 24 = 24" One Door
 36 = 36" One Door
 48 = 48" Two Door

Finish Options:
 B = Black vinyl-clad steel
 S = All stainless steel

Shelving Options:
 (Units include bottom rack for chilling stacked plates. Leave this field blank to order bottom rack only.)
 2 = Two layers (Includes two additional layers of shelves - recommended for chilling glassware.)

Standard Features

- Self-contained refrigeration
- All stainless steel interior with radius corners is easy to keep clean
- One-piece integral top and mullion design
- Easy to plan exterior dimensions: 24" front to back and 24", 36", or 48" left to right
- Two Defrost Cycles:
 1. Automatic - occurs every eight hours without affecting normal operation
 2. Manual - user initiated button for complete six-hour defrost with automatic restart
- Exterior available with black vinyl-clad steel front and sides and galvanized steel back, or stainless steel front, sides, and back
- Units come standard with bottom rack, which is recommended for chilling stacked plates. Two additional layers of shelves are optional, which is recommended for chilling glassware.
- Automatic condensate evaporator - no drain connection required
- Nine foot grounded cord & plug included (exits left rear)
- Optional 3-3/4" casters or 6" legs are available

Specifications

Electrical

- 120V, 1 phase, 60 Hz, 6.0 full load amps
- Dedicated 15 amp circuit is recommended
- Includes a 9-foot NEMA 5-15P grounded cord and plug which exits the left rear of the refrigeration compartment



Refrigeration

- 1/3 HP, R290 refrigerant, 4.59 oz.
- 1,300 BTU/hr refrigeration capacity (0.11 tons)
- 2,455 BTU/hr heat rejection
- Operating range: 12°F (-11°C) to 35°F (2°C)
- Fin & tube evaporator with forced air circulation
- Equipped with manual fast freeze mode that accelerates the freezing process and automatically reverts back to the normal operating mode

Plumbing

- Interior floor drain and condensate drain to automatic evaporator. No drain connection required

Legs

- Optional 6" legs, specify accessory #MLFS
- 1-5/8" diameter
- Stainless steel bullet feet

Capacity (Based on 3-1/2" diameter by 5-7/8" high pint glasses)

- 24" Model: 55 pint glass total capacity; 25 bottom shelf, 15 middle shelf, 15 top shelf
- 36" Model: 87 pint glass total capacity; 25 bottom shelf, 31 middle shelf, 31 top shelf
- 48" Model: 147 pint glass total capacity; 45 bottom shelf, 51 middle shelf, 51 top shelf

Materials

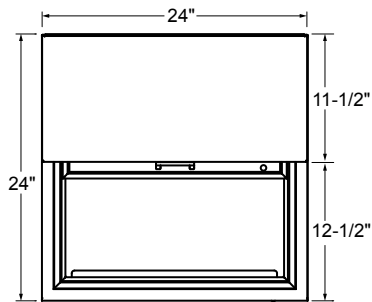
- Stainless steel parts include: top, door, interior and optional legs. Also, front, sides and back on '-S' models
- Black vinyl-clad steel parts include: front and sides on '-B' models
- Galvanized steel parts include: base on all models and exterior back on '-B' models

Glastender, Inc. • 5400 N Michigan Rd • Saginaw, MI • 48604-9780 989.752.4275 • 800.748.0423 • Fax 989.752.4444 www.glastender.com	Approval/Notes:
---	-----------------

Specifications subject to change without notice. For current specifications please visit our website.

Mug Frosters

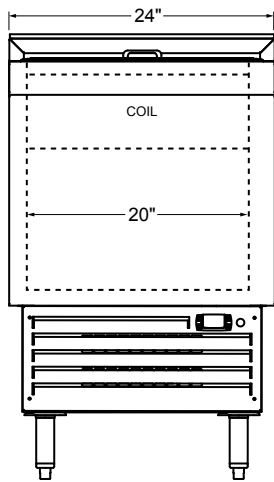
Dimensional Information



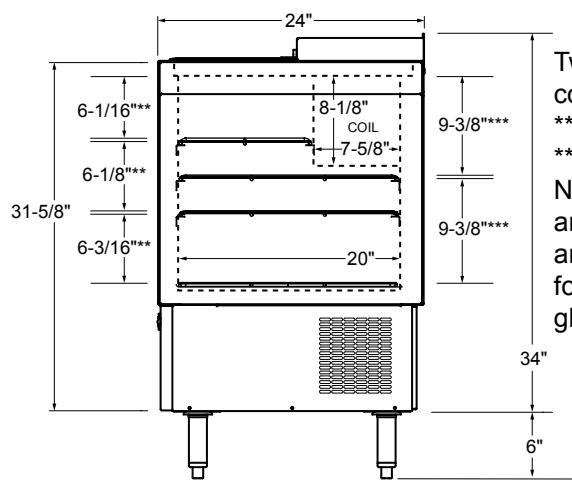
PLAN VIEW

MF24*

*ALL MODELS SHOWN WITH OPTIONAL 6" LEGS

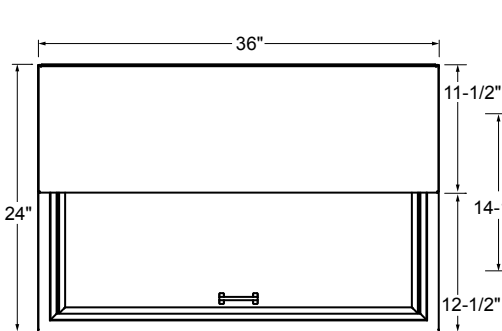


FRONT ELEVATION



SIDE ELEVATION

Two shelf configurations:
 ** Thirds
 *** Halves
 NOTE: Shelves are optional and are recommended for chilling glassware

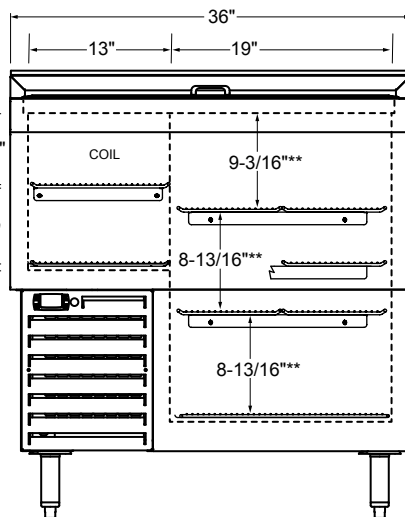


PLAN VIEW

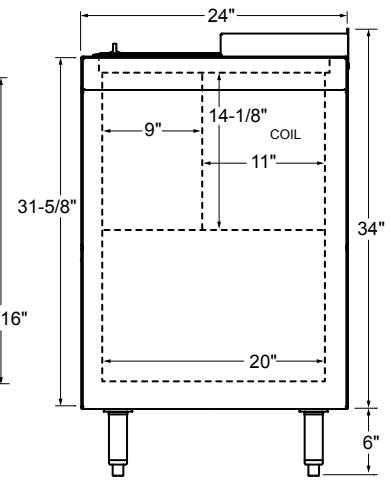
MF36*

NOTE: Shelves are optional and are recommended for chilling glassware

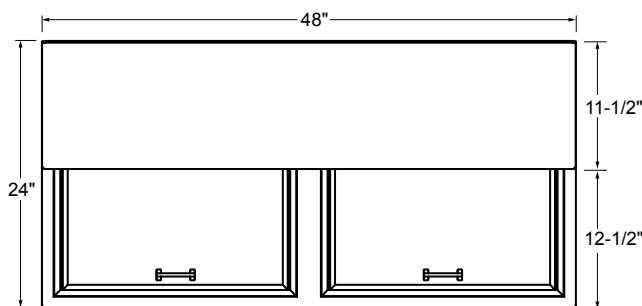
Two shelf configurations:
 ** Thirds
 *** Halves



FRONT ELEVATION



SIDE ELEVATION
MF36*, MF48*

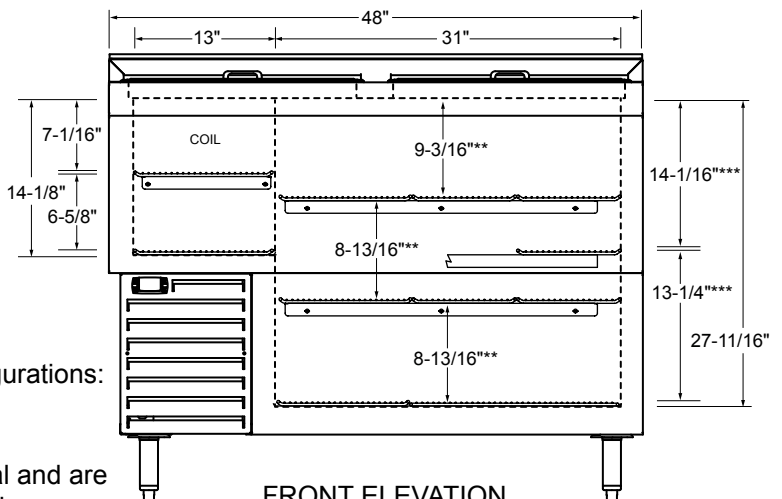


PLAN VIEW

MF48*

NOTE: Shelves are optional and are recommended for chilling glassware

Two shelf configurations:
 ** Thirds
 *** Halves



FRONT ELEVATION

