



Profit from the Eagle Advantage®

Specification Sheet

Short Form Specifications

Eagle (One-, Two-, Three-, Four-Compartment) Deep-Drawn Seamless Welded-In Sink, model _____.
Sinks are heavy gauge type 304 stainless steel. 1" outside flanges. On units of two or more bowls, space is 2" between bowls. Provided with 3/4" basket drain.



Options / Accessories

- P-trap
- Tail piece
- Lever drains

EAGLE GROUP
100 Industrial Boulevard, Clayton, DE 19938-8903 USA
Phone: 302-653-3000 • Fax: 302-653-2065
www.eaglegrp.com • www.eaglehmc.com

Foodservice Division: Phone 800-441-8440
MHC Division: Phone 800-637-5100

For custom configuration or fabrication needs, contact our **SpecFAB® Division**.
Phone: 302-653-3000 • Fax: 302-653-2065 • e-mail: quotes@eaglegrp.com

Spec sheets available for viewing, printing or downloading from our online literature library at www.eaglegrp.com

Eagle Foodservice Equipment, Eagle MHC, and SpecFAB® are divisions of Eagle Group. ©2020 by the Eagle Group

Item No.: _____
Project No.: _____
S.I.S. No.: _____

Seamless Welded-In Sinks with Deep-Drawn Construction

MODELS:

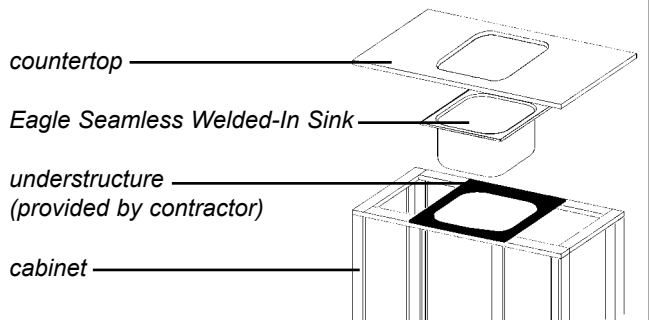
- | | | |
|---|---|---|
| <input type="checkbox"/> FDI-10-14-5-1 | <input type="checkbox"/> FDI-10-14-9.5-2 | <input type="checkbox"/> FDI-16-19-13.5-3 |
| <input type="checkbox"/> FDI-10-14-9.5-1 | <input type="checkbox"/> FDI-12-14-9.5-2 | <input type="checkbox"/> FDI-18-24-13.5-3 |
| <input type="checkbox"/> FDI-12-14-9.5-1 | <input type="checkbox"/> FDI-14-16-9.5-2 | <input type="checkbox"/> FDI-22-22-13.5-3 |
| <input type="checkbox"/> FDI-12-20-6.5-1 | <input type="checkbox"/> FDI-16-19-8-2 | <input type="checkbox"/> FDI-24-24-13.5-3 |
| <input type="checkbox"/> FDI-14-16-9.5-1 | <input type="checkbox"/> FDI-16-19-13.5-2 | <input type="checkbox"/> FDI-10-14-9.5-4 |
| <input type="checkbox"/> FDI-14-16-6-1 | <input type="checkbox"/> FDI-18-24-13.5-2 | <input type="checkbox"/> FDI-12-14-9.5-4 |
| <input type="checkbox"/> FDI-16-19-8-1 | <input type="checkbox"/> FDI-22-22-13.5-2 | <input type="checkbox"/> FDI-14-16-9.5-4 |
| <input type="checkbox"/> FDI-16-19-13.5-1 | <input type="checkbox"/> FDI-24-24-13.5-2 | <input type="checkbox"/> FDI-16-19-8-4 |
| <input type="checkbox"/> FDI-18-24-13.5-1 | <input type="checkbox"/> FDI-10-14-9.5-3 | <input type="checkbox"/> FDI-16-19-13.5-4 |
| <input type="checkbox"/> FDI-20-20-5-1 | <input type="checkbox"/> FDI-12-14-9.5-3 | <input type="checkbox"/> FDI-18-24-13.5-4 |
| <input type="checkbox"/> FDI-22-22-13.5-1 | <input type="checkbox"/> FDI-14-16-9.5-3 | <input type="checkbox"/> FDI-22-22-13.5-4 |
| <input type="checkbox"/> FDI-24-24-13.5-1 | <input type="checkbox"/> FDI-16-19-8-3 | <input type="checkbox"/> FDI-24-24-13.5-4 |

Design and Construction Features

- For NSF-approved welded fabrication.
- Deep-drawn seamless construction.
- Large radius bowl construction.
- Outside flanges are 1" (25mm) on all units.
- On units with two or more sink bowls, space between bowls is 2" (51mm).
- Type 304 stainless steel all-welded construction.

For Undermount...

An understructure is secured atop cabinet, then the sink's flanges are secured between understructure and countertop.



Certifications / Approvals



EG20.18 Rev. 02/20



Profit from the Eagle Advantage®

 Item No.: _____
 Project No.: _____
 S.I.S. No.: _____

One-Compartment Sinks

model #	inside bowl dimensions width x length x depth		overall dimensions width x length		gauge	drain diameter		weight	
	in.	mm	in.	mm		in.	mm	lbs.	kg
FDI-10-14-5-1	14" x 10" x 5"	356 x 254 x 127	16" x 12"	406 x 305	20	3 1/2"	89	9	4.1
FDI-10-14-9.5-1	14" x 10" x 9 1/2"	356 x 254 x 241	16" x 12"	406 x 305	18	3 1/2"	89	11	5.0
FDI-12-14-9.5-1	14" x 12" x 9 1/2"	356 x 305 x 241	16" x 14"	406 x 356	20	3 1/2"	89	13	5.8
FDI-12-20-6.5-1	20" x 12" x 6 1/2"	508 x 305 x 165	22" x 14"	559 x 356	20	2"	51	14	6.4
FDI-14-16-9.5-1	16" x 14" x 9 1/2"	406 x 356 x 241	18" x 16"	457 x 406	20	3 1/2"	89	14	6.4
FDI-14-16-6-1	16" x 14" x 6"	406 x 356 x 152	18" x 16"	457 x 406	20	3 1/2"	89	14	6.4
FDI-16-19-8-1	20" x 16" x 8"	508 x 406 x 203	21 1/4" x 18"	552 x 457	18	3 1/2"	89	23	10.4
FDI-16-19-13.5-1	20" x 16" x 13 1/2"	508 x 406 x 343	21 1/4" x 18"	552 x 457	18	3 1/2"	89	25	11.3
FDI-18-24-13.5-1	24" x 18" x 13 1/2"	610 x 457 x 343	26" x 20"	660 x 508	18	3 1/2"	89	37	16.8
FDI-20-20-5-1	20" x 20" x 5"	508 x 508 x 127	22" x 22"	559 x 559	20	3 1/2"	89	19	8.6
FDI-22-22-13.5-1	22" x 22" x 13 1/2"	559 x 559 x 343	24" x 24"	610 x 610	18	3 1/2"	89	39	17.6
FDI-24-24-13.5-1	24" x 24" x 13 1/2"	610 x 610 x 343	26" x 26"	660 x 660	18	3 1/2"	89	41	18.6

Two-Compartment Sinks

model #	inside bowl dimensions width x length x depth		overall dimensions width x length		gauge	drain diameter		weight	
	in.	mm	in.	mm		in.	mm	lbs.	kg
FDI-10-14-9.5-2	14" x 10" x 9 1/2"	356 x 254 x 241	16" x 24"	406 x 610	18	3 1/2"	89	19	8.6
FDI-12-14-9.5-2	14" x 12" x 9 1/2"	356 x 305 x 241	16" x 28"	406 x 711	20	3 1/2"	89	21	9.5
FDI-14-16-9.5-2	16" x 14" x 9 1/2"	406 x 356 x 241	18" x 32"	457 x 813	20	3 1/2"	89	25	11.3
FDI-16-19-8-2	20" x 16" x 8"	508 x 406 x 203	21 1/4" x 36"	552 x 914	18	3 1/2"	89	43	19.5
FDI-16-19-13.5-2	20" x 16" x 13 1/2"	508 x 406 x 343	21 1/4" x 36"	552 x 914	18	3 1/2"	89	50	22.7
FDI-18-24-13.5-2	24" x 18" x 13 1/2"	610 x 457 x 343	26" x 40"	660 x 1016	18	3 1/2"	89	73	33.1
FDI-22-22-13.5-2	22" x 22" x 13 1/2"	559 x 559 x 343	24" x 48"	610 x 1219	18	3 1/2"	89	75	34.0
FDI-24-24-13.5-2	24" x 24" x 13 1/2"	610 x 610 x 343	26" x 52"	660 x 1321	18	3 1/2"	89	81	36.7

Three-Compartment Sinks

model #	inside bowl dimensions width x length x depth		overall dimensions width x length		gauge	drain diameter		weight	
	in.	mm	in.	mm		in.	mm	lbs.	kg
FDI-10-14-9.5-3	14" x 10" x 9 1/2"	356 x 254 x 241	16" x 36"	406 x 914	18	3 1/2"	89	27	12.2
FDI-12-14-9.5-3	14" x 12" x 9 1/2"	356 x 305 x 241	16" x 42"	406 x 1067	20	3 1/2"	89	30	13.6
FDI-14-16-9.5-3	16" x 14" x 9 1/2"	406 x 356 x 241	18" x 48"	457 x 1219	20	3 1/2"	89	36	16.3
FDI-16-19-8-3	20" x 16" x 8"	508 x 406 x 203	21 1/4" x 54"	552 x 1372	18	3 1/2"	89	63	28.6
FDI-16-19-13.5-3	20" x 16" x 13 1/2"	508 x 406 x 343	21 1/4" x 54"	552 x 1372	18	3 1/2"	89	75	34.0
FDI-18-24-13.5-3	24" x 18" x 13 1/2"	610 x 457 x 343	26" x 60"	660 x 1524	18	3 1/2"	89	101	45.8
FDI-22-22-13.5-3	22" x 22" x 13 1/2"	559 x 559 x 343	24" x 72"	610 x 1829	18	3 1/2"	89	113	51.3
FDI-24-24-13.5-3	24" x 24" x 13 1/2"	610 x 610 x 343	26" x 78"	660 x 1981	18	3 1/2"	89	123	55.8

Four-Compartment Sinks

model #	inside bowl dimensions width x length x depth		overall dimensions width x length		gauge	drain diameter		weight	
	in.	mm	in.	mm		in.	mm	lbs.	kg
FDI-10-14-9.5-4	14" x 10" x 9 1/2"	356 x 254 x 241	16" x 48"	406 x 1219	18	3 1/2"	89	35	15.9
FDI-12-14-9.5-4	14" x 12" x 9 1/2"	356 x 305 x 241	16" x 56"	406 x 1422	20	3 1/2"	89	39	17.6
FDI-14-16-9.5-4	16" x 14" x 9 1/2"	406 x 356 x 241	18" x 64"	457 x 1626	20	3 1/2"	89	47	21.3
FDI-16-19-8-4	20" x 16" x 8"	508 x 406 x 203	21 1/4" x 72"	552 x 1829	18	3 1/2"	89	83	37.6
FDI-16-19-13.5-4	20" x 16" x 13 1/2"	508 x 406 x 343	21 1/4" x 72"	552 x 1829	18	3 1/2"	89	100	45.4
FDI-18-24-13.5-4	24" x 18" x 13 1/2"	610 x 457 x 343	26" x 80"	660 x 3032	18	3 1/2"	89	129	58.5
FDI-22-22-13.5-4	22" x 22" x 13 1/2"	559 x 559 x 343	24" x 96"	610 x 2438	18	3 1/2"	89	151	68.6
FDI-24-24-13.5-4	24" x 24" x 13 1/2"	610 x 610 x 343	26" x 104"	660 x 2642	18	3 1/2"	89	163	73.9

Specifications subject to change without prior notice.

EAGLE GROUP

100 Industrial Boulevard, Clayton, DE 19938-8903 USA

Phone: 302-653-3000 • Fax: 302-653-2065

www.eaglegrp.com • www.eaglehmc.com

Foodservice Division: Phone 800-441-8440

MHC Division: Phone 800-637-5100

Printed in U.S.A.

©2020 by Eagle Group

Rev. 02/20

Spec sheets available for viewing, printing or downloading from our online literature library at www.eaglegrp.com

Although every attempt has been made to ensure the accuracy of the information provided, we cannot be held responsible for typographical or printing errors. Information and specifications are subject to change without notice. Please confirm at time of order.