

Quickly Converts From Cafeteria Style To Self Serve Style

Item #: _____ Qty #: _____
 Model #: _____
 Project #: _____



DSG-12G-72 Glass Positioned For Self-Serve Style

DSG-12G-72 Glass Positioned For Cafeteria Style

FEATURES:

- Bottom front glass locks in place at 3 fixed positions
- Entire glass front rotates for easy cleaning
- Stainless steel 1" diameter Posts
- Includes Two 18" Wide Glass Side Panels
- 1/4" Thick Heat-Tempered Glass Side Panels
- 3/8" Thick Heat-Tempered Glass Fronts
- 3/8" Thick Heat-Tempered Glass Top

CONSTRUCTION:

All TIG welded
 Exposed stainless steel surfaces polished to a satin finish

MATERIAL:

1/4" Thick Heat-Tempered Side Glass
 3/8" Thick Heat-Tempered Glass Fronts and Top
 1" Posts - Stainless Steel
 Chamber Lock™ Sleek Shield Assemblies - Anodized Aluminum.
 Finish - Aluminum components are anodized to a satin finish.
 Stainless components polished.



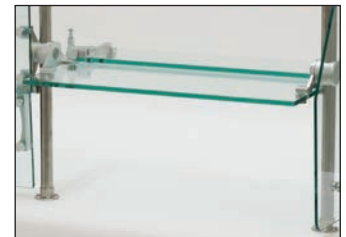
Bottom Glass Flips All The Way Up To Become A Self-Serve Unit



Bottom Glass Can be Used As a Shelf



Easy To Use Mechanism For Changing Front Glass Positions



Entire Glass Shield Rotates For Easy Cleaning

L	12" WIDE	Approx. Wt.	15" WIDE	Approx. Wt.	18" WIDE	Approx. Wt.	Approx. Cubes
36"	DSG-12G-36	139 lbs.	DSG-15G-36	143 lbs.	DSG-18G-36	147 lbs.	18
48"	DSG-12G-48	179 lbs.	DSG-15G-48	182 lbs.	DSG-18G-48	187 lbs.	23
60"	DSG-12G-60	228 lbs.	DSG-15G-60	235 lbs.	DSG-18G-60	242 lbs.	29
72"	DSG-12G-72	279 lbs.	DSG-15G-72	266 lbs.	DSG-18G-72	275 lbs.	34
84"	DSG-12G-84†	298 lbs.	DSG-15G-84†	305 lbs.	DSG-18G-84†	316 lbs.	39
96"	DSG-12G-96†	330 lbs.	DSG-15G-96†	346 lbs.	DSG-18G-96†	357 lbs.	44
108"	DSG-12G-108†	373 lbs.	DSG-15G-108†	383 lbs.	DSG-18G-108†	397 lbs.	49
120"	DSG-12G-120†	412 lbs.	DSG-15G-120†	424 lbs.	DSG-18G-120†	439 lbs.	55
132"	DSG-12G-132†	453 lbs.	DSG-15G-132†	467 lbs.	DSG-18G-132†	483 lbs.	60
144"	DSG-12G-144††	495 lbs.	DSG-15G-144††	511 lbs.	DSG-18G-144††	528 lbs.	65

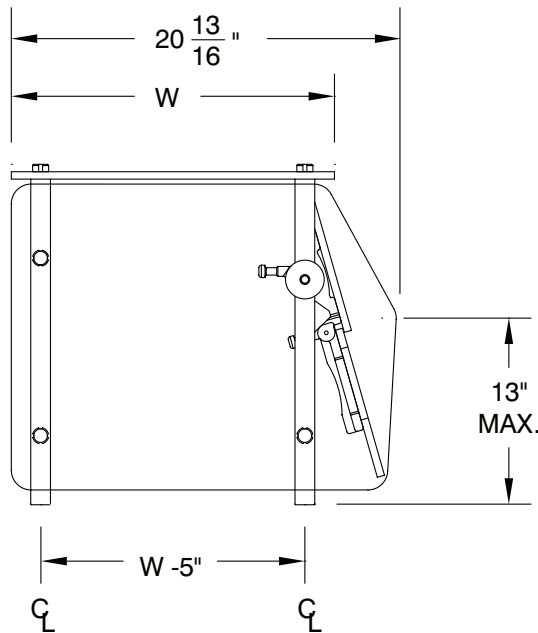
† Requires a single pair of center legs †† Requires two pair of center legs

DETAILS and SPECIFICATIONS

TOL ± .500"

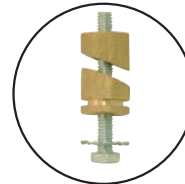
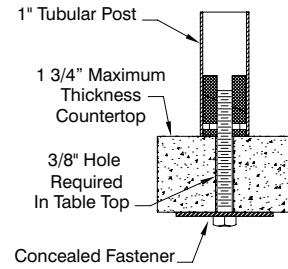
ALL DIMENSIONS ARE TYPICAL

DSG-G SERIES - GLASS TOP



Standard Concealed Mounting Hardware

Requires access below counter for installation.



Brass Expander Table Mounting Hardware Included. For traditional undermount installation (1" tubing only)

