



NOR-LAKE, INCORPORATED
727 Second Street
Hudson, Wisconsin 54016

800-955-5253
715-386-2323
866-961-5253 Parts
800-388-5253 Service
715-386-6149 FAX
www.norlake.com

FAST-TRAK® WALK-INS



Standard Coolers, Freezers and Combination Cooler/Freezers In Stock for 5 DAY SHIPMENT

STANDARD FEATURES

- Unlimited lengths in 1' increments
- Available in widths of 6', 7', 8', 9', 10', 11' & 12'
- Heights: 6'7", 7'7" and 8'7" with floor, 7'4" and 8'4" floorless for single compartment and combinations
- Heights: 7'7" and 8'7" combination with floor freezers and less floor coolers with 4-3/8" foam sealers
- Indoor or outdoor models
- Split Pak™ Pre-Assembled Remote Refrigeration Systems (ordered separately)
- Temperatures: +35°F, -10°F, -20°F
- Full 4" thick panels foamed-in-place with EPA-compliant polyurethane insulation
- 26 gauge corrosion resistant stucco embossed coated steel on all surfaces except interior floor
- Smooth aluminum interior floor (models with floor)
- Floorless models supplied with NSF listed vinyl sealers
- 26", 30" or 36" wide self-closing doors with Fast-Trak® door frame
- Deadbolt locking handle with independent key/pad lock feature and inside safety release
- Two heavy duty cam-lift hinges per door, top hinge field adjustable with locking set screw
- Spring loaded hinge
- Spring actuated door closer
- Magnetic gasket
- Digital thermometer and light switch
- Floor double sweep gasket
- Perimeter door heater wire
- Heated air vents standard in freezer door sections
- High output low profile LED light positioned above door to prevent interference with shelving or product

- NSF, UL flame spread 25 or less for all foam cores on all panels; UL and CSA electrical listing on door sections
- UL & C-UL electrical listing on refrigeration systems **
- City of Houston listed
- CN UL flame spread listed
- California State listed
- Oregon State listed
- USDA accepted
- 15 year panel warranty
- 18 months parts and labor warranty

OPTIONAL FEATURES**

- Outdoor membrane roof systems
- Door rain hoods
- Interior and/or exterior 30" high stainless steel or 1/8" aluminum diamond tread door kick plates
- Exterior ramp for floor models
- Interior ramps (30" & 36" wide) for floor models
- Leak detector/alarm (may be a requirement in some areas)
- Extra LED lights (shipped loose)
- Secure Guard™ Lock high security locking system
- Strip curtains (shipped loose)
- Non-skid floor strips (shipped loose)
- Shelving systems
- 1-5/8" screed for use with 5/8" tile after walk-in installation
- 14" x 24" viewport

** Most options are available two weeks from receipt of order. Please contact us for specific questions.

*** C-UL is Underwriters Laboratories Safety Certification Mark which indicates that UL has tested the equipment to applicable CSA Standards.

*** UL Sanitation is Underwriters Laboratories Sanitation Mark which indicates that UL has tested the equipment to applicable NSF Standards.

WALK-IN SPECIFICATIONS

Fast-Trak® walk-ins are built of modular panels, and are insulated with foamed-in-place EPA-compliant polyurethane insulation. Each panel is designed to ensure ease of installation, long term reliability and high insulating efficiency.

A. All panels are manufactured with male and female mating rails to ensure proper alignment during installation. The polyurethane insulation wraps around the return bend metal seams on both section to create a lightweight panel of exceptional strength and durability. All panels are a full four (4) inches thick and provide a superior insulating value.

Insulation:

Panels to be four (4) inches thick, metal clad and foamed-in-place with EPA-compliant polyurethane insulation.

The R-values for 4" HFO panels are:

Cooler:

Walls/Ceilings	R-value 25
Doors	R-value 25

Freezer:

Walls/Ceilings	R-value 32
Doors	R-value 32
Floors	R-value 28

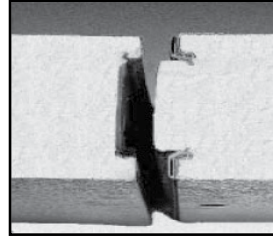
B. The foamed-in-place cam locking fasteners ensure an airtight seal for maximum energy efficiency.

C. Fast-Trak® panel gaskets around the outer perimeter of the panel are continuous, without cuts or breaks at corners. The Nor-Lake patented gasket design provides a foamed-in-place gasket as an integral part of the panel. Gaskets cannot fall off or pull off during shipment or installation.

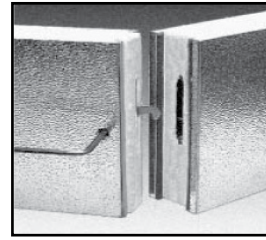
D. Panels lock together tightly to assure an energy efficient walk-in.

E. Edge caps for ends of floor and ceiling panels are foamed-in-place rather than overlapped or mechanically fastened. Edge caps cannot come loose, and they stay in place through the life of the walk-in.

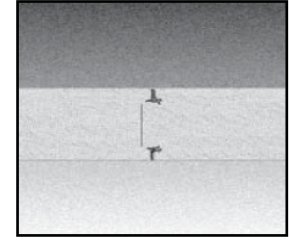
F. Panel Finishes: Interior and exterior complete to be 26 gauge corrosion resistant stucco embossed coated steel. Models supplied with a floor will include a smooth aluminum interior floor surface.



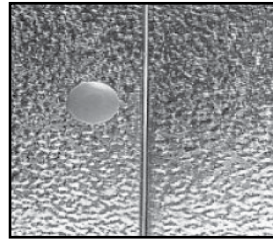
A.



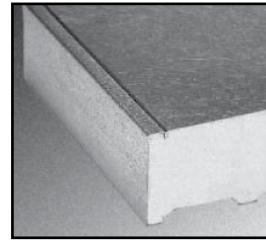
B.



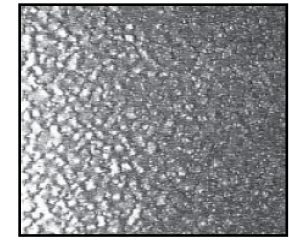
C.



D.

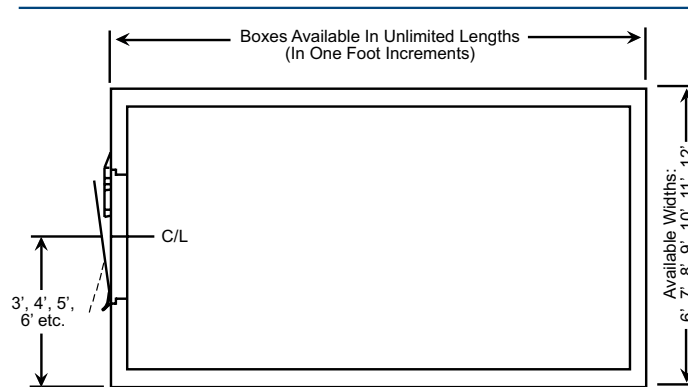


E.

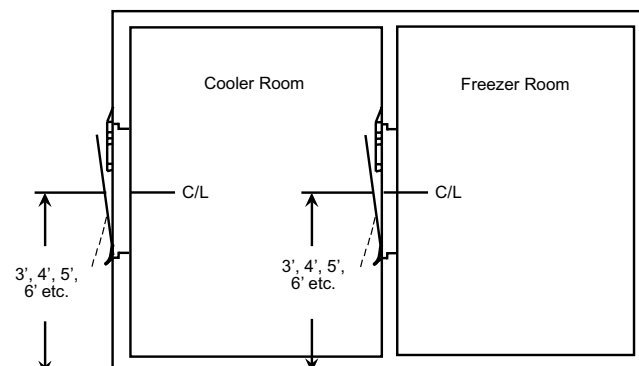


F.

Fast-Trak® Walk-ins Available in Both Single Compartment Walk-ins or Cooler/Freezer Combinations



Note: The Walk-In Door Can Be Located On Any Wall.



Note: The Partition Door Must Open Into The 35" Compartment.

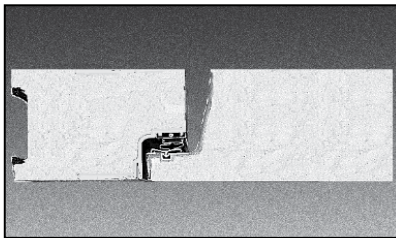
FAST-TRAK® WALK-INS

These doors are designed and certified for use in walk-in cooler applications.

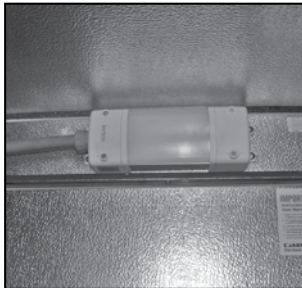
Door Model Number	Energy Consumption (kWh/day)	Door Surface Area (sq ft)	Electrical	Watts	Amps
KL26X59	2.30	12.00	120/60/1	97.73	0.81
KL26X66	2.37	13.40	120/60/1	100.80	0.84
KL26X78	2.49	15.80	120/60/1	106.07	0.88
KL30X66	2.46	15.27	120/60/1	102.56	0.85
KL30X78	2.60	18.00	120/60/1	107.80	0.90
KL36X66	2.60	18.06	120/60/1	105.20	0.88
KL36X78	2.76	21.29	120/60/1	110.50	0.92

These doors are designed and certified for use in walk-in freezer applications.

Door Model Number	Energy Consumption (kWh/day)	Door Surface Area (sq ft)	Electrical	Watts	Amps
KL26X59	6.48	12.00	120/60/1	189.69	1.58
KL26X66	6.68	13.40	120/60/1	196.07	1.63
KL26X78	7.01	15.80	120/60/1	207.07	1.73
KL30X66	6.94	15.27	120/60/1	199.75	1.66
KL30X78	7.32	18.00	120/60/1	210.80	1.76
KL36X66	7.33	18.06	120/60/1	205.25	1.71
KL36X78	7.78	21.29	120/60/1	216.30	1.80



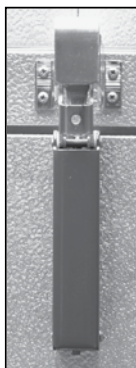
DOORS FEATURE A STEPPED PROFILE DESIGN



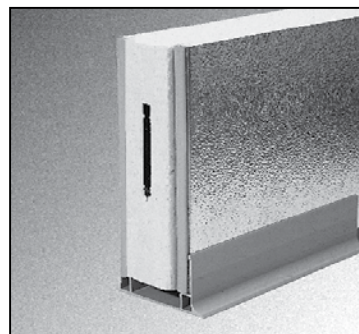
ABOVE DOOR LED LIGHT FIXTURE



DIGITAL THERMOMETER/ LIGHT SWITCH



SPRING ACTUATED DOOR CLOSER



FLOORLESS MODELS ARE SUPPLIED WITH A PATENTED VINYL FLOOR SEALER



DEADBOLT LOCKING HANDLE

DOOR

Door sections manufactured at Nor-Lake are factory tested to assure proper fit, performance and alignment. All doors feature a stepped profile design that serves as a barrier to air flow which results in an energy efficient door system.

Each Fast-Trak® walk-in compartment is equipped with a 26", 30" or 36" wide door opening. The height of the door opening varies with the series of Fast-Trak® walk-in ordered. The 45 Series has a 59" high door, the Standard Series (6'7" high) has a 66" high door opening and the 74 and 77 Series Fast-Trak® walk-ins have a 78" high door opening. The door is self-closing, flush mounted, infitting and constructed to incorporate heavy duty, molded ABS breaker which is permanently foamed-in-place.

Doors are available with right or left side hinges and include two field adjustable cam-lift hinges with locking set screw, top hinge spring loaded, spring actuated door closer, NL9800 deadbolt locking handle with independent key/padlock feature and inside safety release. The doors are pre-hung in a four foot wide frame panel which is equipped with replaceable perimeter heater wire, magnetic stainless steel trim, digital thermometer, above door LED light fixture and switch with exterior pilot indicator light.

The door section is completely pre-wired within concealed conduit inside the door frame panel. 120/60/1 electrical is field wired to a junction box which is surface mounted on the interior frame above the LED light fixture. Door sections are 4" thick, metal clad and foamed-in-place with EPA-compliant polyurethane insulation.

Hinges and door handle are mounted to 1/2" synthetic insulated tapping plates. Each door section is complete with a fiberglass reinforced plastic heated threshold.

FLOOR CONSTRUCTION

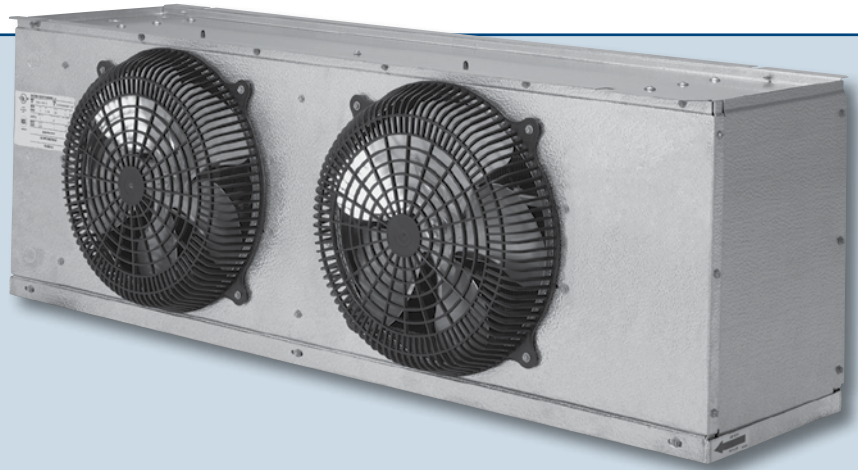
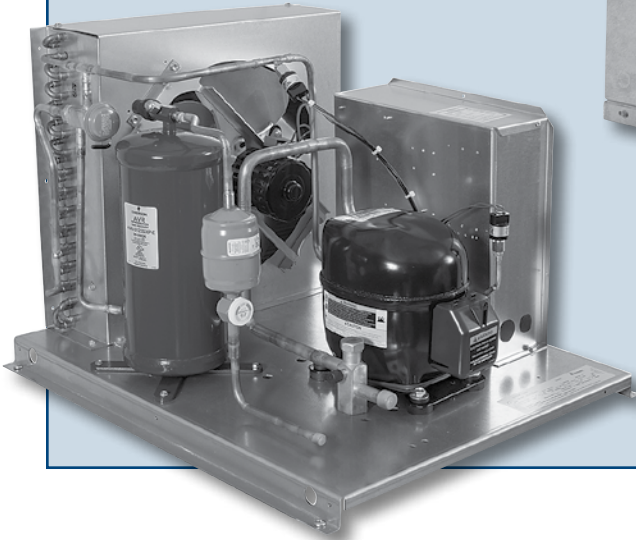
Floor panels (when supplied) are similar in construction to the wall panels except they are made to withstand uniformly distributed floor loads of up to 800 pounds per square foot. The interior floor metal is smooth aluminum.

The 74 Series, floorless models, are supplied with a patented vinyl floor sealer to stop conductivity at floor level. This unique sealer sits flat on existing floors and fits tightly against the interior/exterior wall panels. The walk-in wall panel is supported on the shoulder of the sealer so the foam edge is free of compressing weight. The vinyl floor sealer is NSF listed.

FAST-TRAK® WALK-INS

STANDARD SPLIT-PAK™ REMOTE REFRIGERATION SYSTEMS

Energy efficient EC motors are standard on Split-Pak evaporator coils.



Split-Pak condensing units are standard with generously-sized condensers for maximum performance in harsh environments. Each unit is pre-piped and pre-wired at the factory for convenient installation.

- Systems composed of Split-Pak condensing unit and evaporator coil sized to fit requirements
- All components are pre-wired and factory assembled on a galvanized steel angle leg base
- Horsepower ranges from 1/2 to 6 H.P.
- Condensing units are provided with factory pre-mounted and wired time clocks in both medium and low temp versions
- Evaporator coils are ready to mount in position and are available in air (off cycle) defrost for coolers and electric defrost for freezers
- Each coil is also furnished with a pre-installed expansion valve and room thermostat mounted and wired
- Electric defrost coils feature defrost termination-fan delay controls and drain line heaters
- Standard energy efficient EC motors

REMOTE REFRIGERATION SYSTEM SPECIFICATIONS

Remote refrigeration systems available for this program are limited to the Split-Pak™ condensing units and evaporator coils on pp. 5-6 only. Condensing units are factory pre-wired and pre-assembled.

All units are provided with matching evaporator coils. Remote 2 H.P. through 6 H.P. units are available with either one (1) or two (2) matching evaporator coils.

Remote 1/2 and 3/4 H.P. units are available in 230 volt, 60 cycle, one phase only. Units ranging from 1 to 4 H.P. are available in 230 volt, 60 cycle, one phase or 208/220 volt, 60 cycle, three phase. Five and 6 H.P. units are available in 208/220 volt, 60 cycle, three phase only.

Remote condensing units under this program will be provided with weather kits containing a weather hood with unit base and a low ambient kit.

REMOTE REFRIGERATION SYSTEM CONDENSING UNIT SPECIFICATIONS

MEDIUM TEMP R-448A/R-449A CONDENSING UNITS

(Dedicated medium temp outdoor condensing units meet the DOE requirement of a minimum AWEF rating of 7.61 Btu/W-h).

COND. UNIT MODEL*	H.P.	COMPRESSOR MODEL	BTUH @ 25°F SUCTION TEMP. 90°F AMBIENT	UNIT CONNECTION SIZES		BASE SIZE†	RECEIVER PUMP DOWN CAP. @ 90%	SHIP WT. (LB/KG)	MCA††	MOP††	RLA††	LRA††
				LIQUID	SUCTION							
HERMETIC												
MHMD005AB	0.5	RST45C1E-CAV	5,701	3/8	5/8	M1	8.1	180/82	18.8	20	4.6	26.5
MHMD007AB	0.75	RST55C1E-CAV	6,958	3/8	5/8	M1	8.1	180/82	18.8	20	6.1	33.7
MHMD010AB	1	RST70C1E-PFV	8,658	3/8	7/8	M1	8.1	180/82	18.8	20	6.9	46
MHMD010AC	1	RST70C1E-TA5	8,975	3/8	7/8	M1	8.1	180/82	18.8	20	4.9	36
SCROLL												
MSMD015AB	1.5	ZS11KAE-PFV	12,768	1/2	7/8	M2	12	240/109	25	30	11.3	55
MSMD015AC	1.5	ZS11KAE-TF5	12,884	1/2	7/8	M2	12	240/109	19.1	20	9.3	58
MSMD017AB	1.75	ZS13KAE-PFV	14,330	1/2	7/8	M2	12	240/109	25	30	10.8	56
MSMD017AC	1.75	ZS13KAE-TF5	14,469	1/2	7/8	M2	12	240/109	18.8	20	8.7	58
MSMD020AB	2	ZS15KAE-PFV	16,884	1/2	7/8	M2	12	240/109	31.3	35	14.1	68
MSMD020AC	2	ZS15KAE-TF5	17,060	1/2	7/8	M2	12	240/109	25	30	9.6	58
MSMD025AB	2.5	ZS19KAE-PFV	19,376	1/2	7/8	M2	12	240/109	31.8	35	16.2	75
MSMD025AC	2.5	ZS19KAE-TF5	19,353	1/2	7/8	M2	12	240/109	31.3	35	12.3	73

LOW TEMP R-448A/R-449A SCROLL CONDENSING UNITS

COND. UNIT MODEL*	H.P.	COMPRESSOR MODEL	BTUH @ -20°F SUCTION TEMP. 90°F AMBIENT	UNIT CONNECTION SIZES		BASE SIZE**	RECEIVER PUMP DOWN CAP. @ 90%	SHIP WT. (LB/KG)	MCA***	MOP***	RLA***	LRA***
				LIQUID	SUCTION							
MSLD010AB	1	ZF03KAE-PFV	2,949	3/8	7/8	M1	8.1	180/82	12.5	15	6.1	42.3
MSLD010AC	1	ZF03KAE-TF5	2,921	3/8	7/8	M1	8.1	180/82	9.1	15	4.1	31.7
MSLD020AB	2	ZF06K4E-PFV	7,164	3/8	7/8	M2	12	240/109	25	30	13.6	61
MSLD020AC	2	ZF06K4E-TF5	6,793	3/8	7/8	M2	12	240/109	18.8	20	8.3	55
MSLD025AB	2.5	ZF08K4E-PFV	8,946	3/8	7/8	M3	17.7	250/114	32.6	35	16.4	73
MSLD025AC	2.5	ZF08K4E-TF5	8,699	3/8	7/8	M3	17.7	250/114	25	30	8.7	63
MSLD035AB	3.5	ZF11K4E-PFV	11,759	3/8	7/8	M3	17.7	250/114	38	45	20.7	109
MSLD035AC	3.5	ZF11K4E-TF5	11,958	3/8	7/8	M3	17.7	250/114	31.3	35	10.9	88
MSLD050AC	5	ZF15K4E-TF5	17,523	1/2	7/8	M5	17.7	250/114	38	40	17	123

NOTES:

- 448A/449A compressors are shipped with P.O.E. oil.
- All "M" units include low ambient kit (crankcase heater, head pressure control valve) as standard feature.

***VOLTAGE KEY:**

"B" suffix = 208-230 or 230 volt, 60 cycle, one phase
 "C" suffix = 200-230 or 208-230 volt, 60 cycle, three phase

** See p. 7 for unit base drawings.

*** Electrical ratings for condensing unit only. See National Electrical Code if units are combined on a single circuit.

FAST-TRAK® WALK-INS

REMOTE REFRIGERATION SYSTEM EVAPORATOR COIL SPECIFICATIONS

Each coil is furnished with a pre-installed expansion valve and room thermostat mounted and wired

MEDIUM TEMP

EVAPORATOR MODEL	UNIT PART NO.	BTUH @ 25°F SUCTION TEMP.	NO. FANS	DIMENSIONS			SHIP WT. (LB/KG)	FAN AMPS
				L	W	H		
E1MD0060A-TA2	WL6A052SEAS	6,000	1	27	16	17	44/20	.8
E1MD0078A-TA2	WL6A066SEAS	7,800	1	27	16	17	47/21	0.8
E1MD0085A-TA2	WL6A073SEAS	8,500	2	44	16	17	52/24	1.6
E1MD0109A-TA2	WL6A094SEAS	10,900	2	44	16	17	55/25	1.6
E1MD0136A-TA2	WL6A117SEAS	13,600	2	44	16	17	58/26	1.6
E1MD0163A-TA2	WL6A141SEAS	16,300	3	60	16	17	72/33	2.4

LOW TEMP

EVAPORATOR MODEL	UNIT PART NO.	BTUH @ 25°F SUCTION TEMP.	NO. FANS	DIMENSIONS			SHIP WT. (LB/KG)	FAN AMPS	DEFROST AMPS
				L	W	H			
E1LD0049B-TE2	WL6E042DEAS	4,900	1	27	16	17	44/20	0.5	4.9
E1LD0076B-TE2	WL6E066DEAS	7,600	2	44	16	17	52/24	1	9.8
E1LD0088B-TE2	WL6E077DEAS	8,800	2	44	16	17	55/25	1	9.8
E1LD0106B-TE2	WL6E090DEAS	10,600	2	44	16	17	58/26	1	9.8
E1LD0124B-TE2	WL6E105DEAS	12,400	2	44	16	17	62/28	1	9.8

NOTES:

• Medium temp evaporator coils based on 12° T.D. Low temp coils based on 10° T.D.

• VOLTAGE KEY:

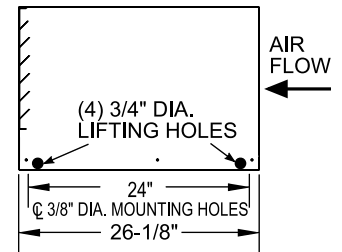
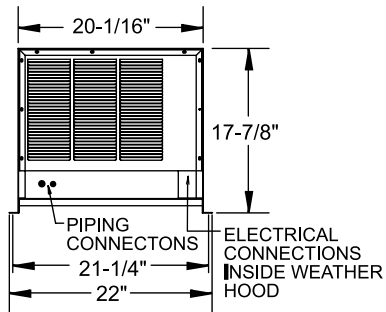
“A” suffix = 115 volt, 60 cycle, one phase

“B” suffix = 208-230 volt, 60 cycle, one phase

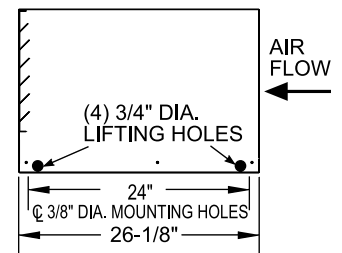
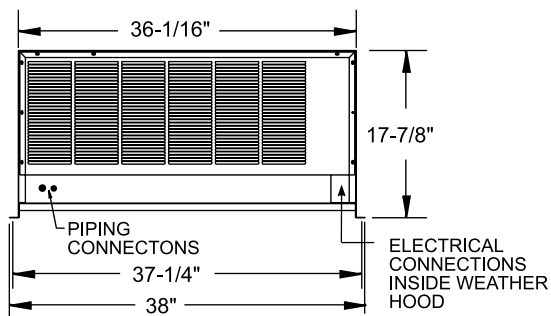
FAST-TRAK[®] WALK-INS

REMOTE CONDENSING UNIT BASE SPECIFICATIONS

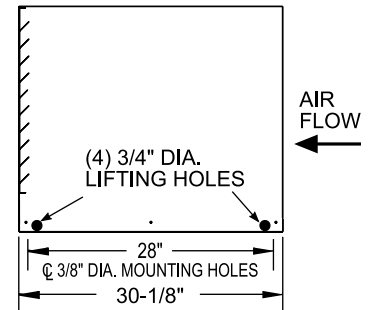
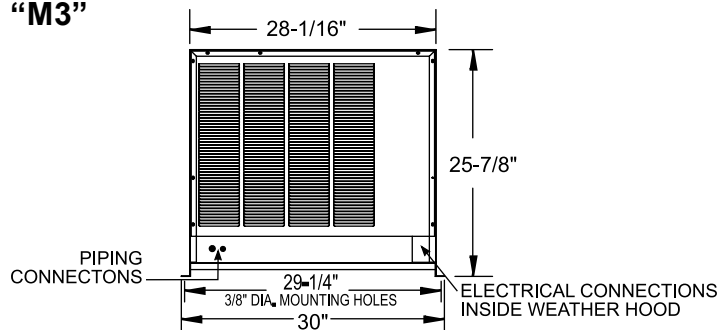
BASE "M1"



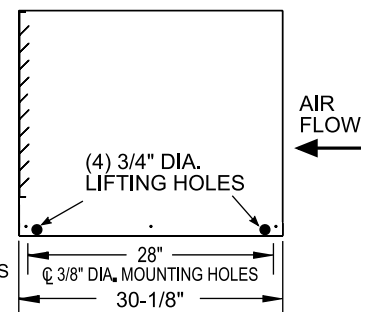
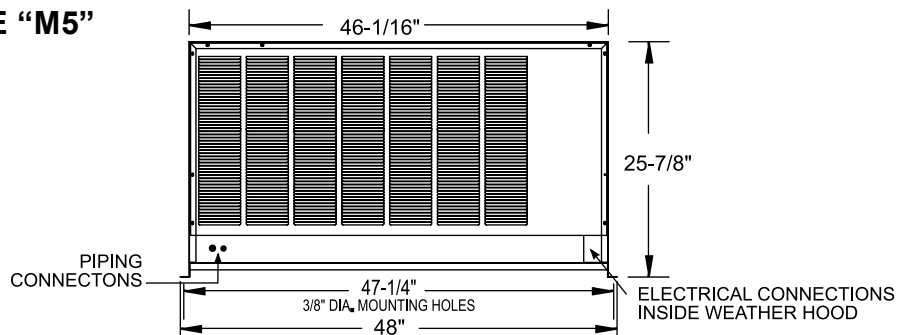
BASE "M2"



BASE "M3"



BASE "M5"



Revision Date: 11/20
Part Number: 101627

All specifications subject to change without notice.
©2020 Nor-Lake, Inc. All rights reserved.