

GRANITE FROST-TOP DROP-IN MODULE REF: DIF1-4

GRANITE-TOP FROST-TOP DROP IN REF: DIF1 – DIF4



DIF1
Shown with
Absolute Black Granite

Rotisol's line of Granite Frost Top Drop-Ins provides the most attractive way of displaying and maintaining your cold products for hours. It is ideal for buffet lines, salad bars, sandwich, or desert stations.

Thanks to our unique patented system, the cold is uniformly diffused across the entire surface of the granite slab. Our thermostat control allows the unit to maintain the temperature at the required 32°F.

The drop-in can be installed on any counter. The control panel is connected with a cord so that it can be placed in the most convenient location. The drop-in is fully insulated and is provided with a factory bracket either located on the top or the bottom for flush finish! Units come with no groove.

Rotisol granite tops are available in Absolute Black or Sarde White (white with grey and black flecks), whichever best compliments your display area. Other colors and types of stone can be used, but are not supplied by Rotisol.

STANDARD FEATURES

- All Stainless Steel
- 40" power cord length allows flexibility in placement of controls
- Control panel with regulated temperature digital settings and on/off switch
- Remote control panel
- Granite : black absolute

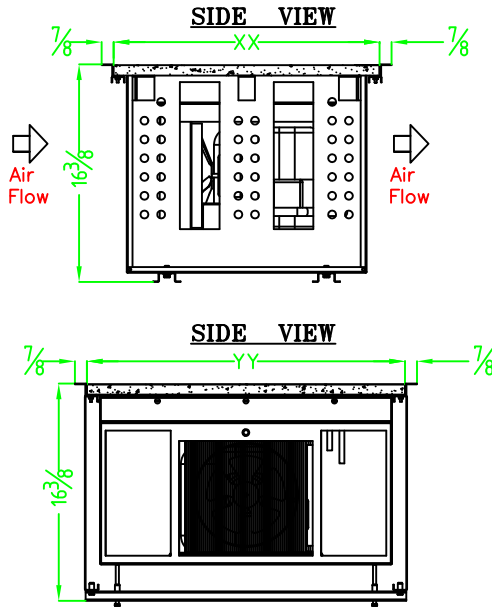
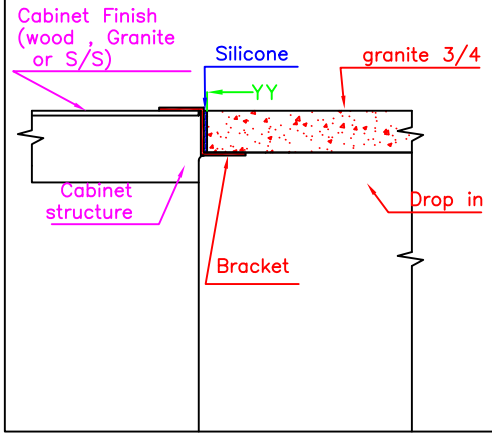
MODELS	OPTIONS	FINISH
<input type="checkbox"/> DIF1 : 24" x 20" x 6"	<input type="checkbox"/> Granite color – Absolute Black or Gray Sarde	<input type="checkbox"/> Stainless Steel with Granite top
<input type="checkbox"/> DIF2: 30" x 20" x 6"	<input type="checkbox"/> Installation configurations: <ul style="list-style-type: none"> • Bottom bracket to allow unit to be flush with the item next to it • Top bracket in SS 	CONNECTION <input checked="" type="checkbox"/> Electrical <input checked="" type="checkbox"/> Single Phase
<input type="checkbox"/> DIF3 : 30" x 24" x 6"		
<input type="checkbox"/> DIF4 : 36" x 24" x 6"		



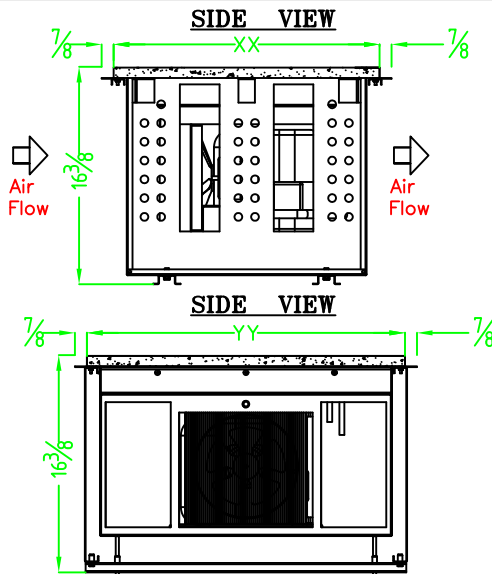
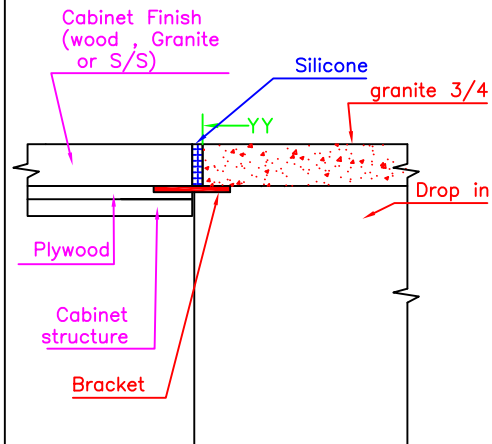
Rotisol-France, Inc Tel/ (800) 651-5969 - (310) 671-7254 Fax/ (310) 671-8171 341 North Oak Street, Los Angeles, CA 90302
www.rotisolusa.com info@rotisolusa.com

SPECIFICATION GRANITE COLD DROP IN

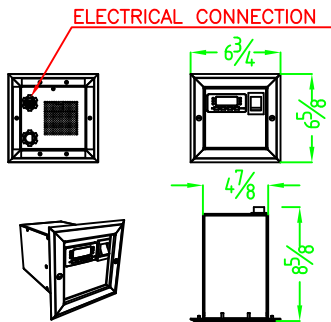
TOP BRACKET DETAIL



BOTTOM BRACKET DETAIL Flush



PANEL CONTROL



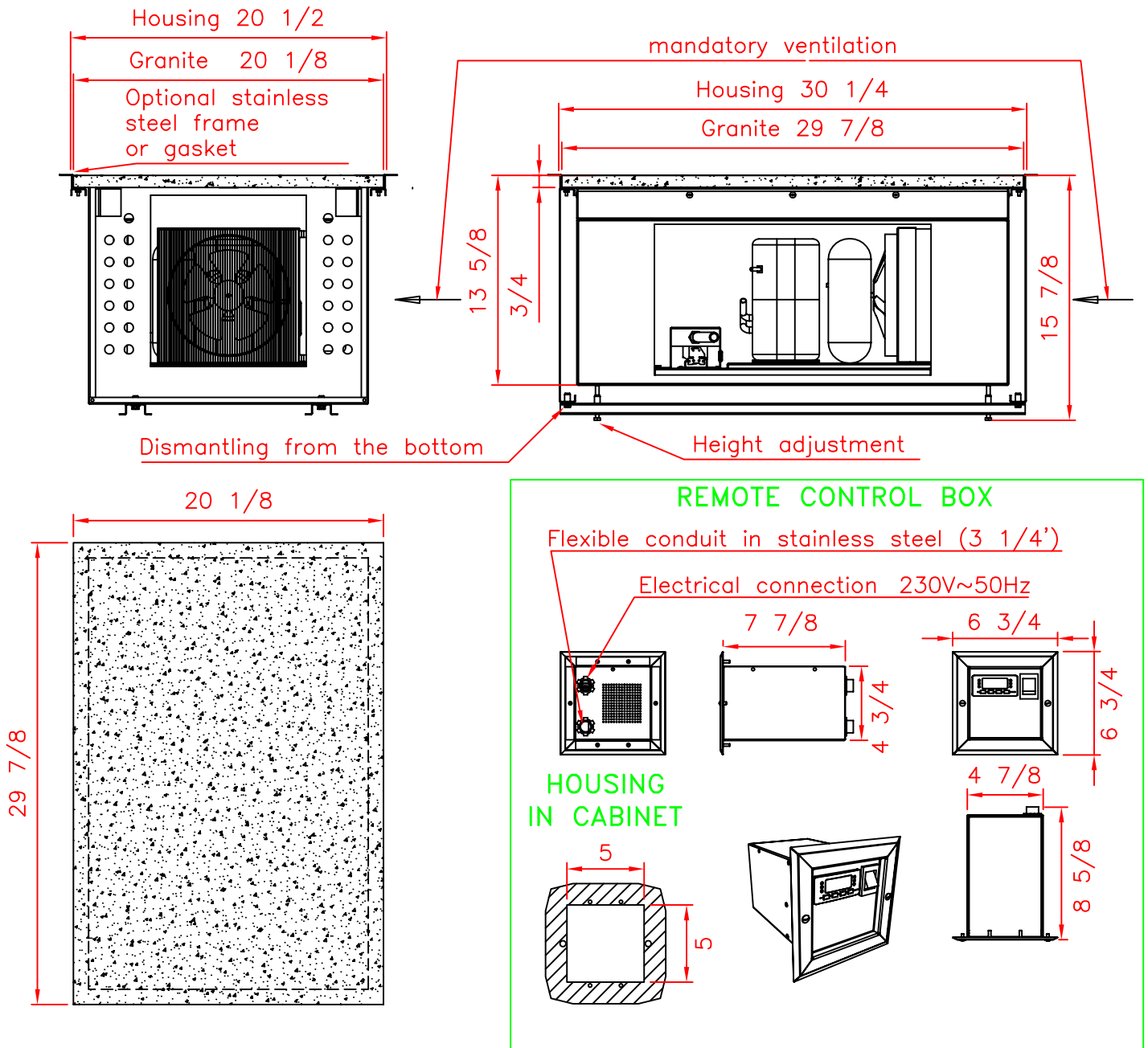
DIMENSION	DIF 1	DIF 2	DIF 3	DIF 4	ELECTRICAL CONNECTION	
SIDE-XX	20	20	24	24	DIF 1	0.3 KW - 208/230 V - 1Ph/G - 1.5 Amps
SIDE-YY	24	30	36	30	DIF 2	0.3 KW - 208/230 V - 1Ph/G - 1.5 Amps
HEIGHT	16 3/8	16 3/8	16 3/8	16 3/8	DIF 3	0.4 KW - 208/230 V - 1Ph/G - 2 Amps
DIM. WITH BRACKET					DIF 4	0.4 KW - 208/230 V - 1Ph/G - 2 Amps
WEIGHT						
SIDE	21 3/4	21 3/4	25 3/4	25 3/4	DIF 1	141 Lbs - with granite & no packing
SIDE	23 3/4	31 3/4	37 3/4	37 3/4	DIF 2	165 Lbs - with granite & no packing
HEIGHT	16 3/8	16 3/8	16 3/8	16 3/8	DIF 3	209 Lbs - with granite & no packing
CUT OUT						
SIDE	20 1/2	20 1/2	24 1/2	24 1/2	DIF 4	239 Lbs - with granite & no packing
SIDE	24 1/2	30 1/2	36 1/2	36 1/2	NOTE	
HEIGHT	N/A	N/A	N/A	N/A	- 1 Electrical cable : 40" length (from panel control) - Nerra plug not provided	
Panel control	5	5	5	5	- electrical cable between drop in and panel control is 40" in length	

WARRANTY CONDITIONS :

Rotisol warrants its equipment to be free from defects in material and workmanship. The warranty covers parts for one year and labor for 6 months. Repairs must be performed by an authorized service company and it is the responsibility of the customer to return the defective parts to Rotisol France, inc. within 15 days(otherwise), the warranty will not be honored). The shipping charges for replacement parts, other than ground, will be at the customer's expense. this warranty does not cover granite top , neither does it cover a mechanical parts. this warranty does not apply to damages by accident, incorrect line voltage, fire, water, or other acts or god.

Technical data

COLD STORAGE MODULE INSERT "DROP-IN"
SLAB TEMPERATURE MAINTENANCE REFRIGERATED
IN GRANITE INTEGRABLE REF.: DIF2



SPECIFICATIONS

Weight: 154 Lbs
 Made of stainless steel and aluminium, granite top adjustable in height.
 Control panel with a flexible tube distance of $3 \frac{1}{4}'$ max to be included in cabinet with electronic display and control temperature.
 Electrical connection: 230V~50Hz, power cord length $6 \frac{1}{2}'$.
Electrical power: 300 W
 OPTIONAL ACCESSORIES: Frame stainless plate granite

All this information are the property of Rotisol. Reproduction partial or in totality are prohibited without authority prior written of company Rotisol