



STAINLESS STEEL

# FABRICATED FLOOR MOP SINKS

Item #: \_\_\_\_\_ Qty #: \_\_\_\_\_  
 Model #: \_\_\_\_\_  
 Project #: \_\_\_\_\_



**Standard Mop Sink**  
9-OP-20 Shown



**Drop Front Mop Sink**  
9-OP-40DF Shown



Notched Out Front Allows Ease of Emptying Mop Bucket



Fabricated Bowls are Welded Together at the Seams

\* NSF Compliant

**FEATURES:**

Floor mounted unit eliminates the need of lifting heavy containers.  
 Tile edge furnished on the rear.  
 Bowls rectangular in design for increased capacity.  
**K-16** 3-1/2" Free Flow Drain. Connects to a 2" drain pipe.

**-DF models** feature a notched out front which allows for ease of emptying mop bucket).

**CONSTRUCTION:**

All TIG welded.  
 Welded areas blended to match adjacent surfaces and to a satin finish.

**MATERIAL:**

16 Gauge type "304" series stainless steel sink bowl & Apron.

	Model #	Bowl Size (A x B x C)	O.A. Dimension (W x L x H)	Drain Distance (E)	Drain Distance (F)	Approx. Wt.	Approx. Cu.
<b>STANDARD</b>	<b>9-OP-20*</b>	16" x 20" x 6"	21" x 25" x 10"	10-1/2"	12-1/2"	33 lbs.	4
	<b>9-OP-28*</b>	20" x 28" x 6"	25" x 33" x 10"	12-1/2"	16-1/2"	47 lbs.	7
	<b>9-OP-40*</b>	16" x 20" x 12"	21" x 25" x 16"	10-1/2"	12-1/2"	45 lbs.	6
	<b>9-OP-48*</b>	20" x 28" x 12"	25" x 33" x 16"	12-1/2"	16-1/2"	62 lbs.	9
<b>LARGE BOWL</b>	<b>9-OP-44</b>	24" x 24" x 12"	29" x 29" x 16"	14-1/2"	14-1/2"	70 lbs.	9
	<b>9-OP-33</b>	24" x 36" x 12"	29" x 41" x 16"	14-1/2"	20-1/2"	80 lbs.	12
	<b>9-OP-34</b>	24" x 48" x 12"	29" x 53" x 16"	14-1/2"	26-1/2"	90 lbs.	15
<b>DROP FRONT</b>	<b>9-OP-40DF</b>	16" x 20" x 12"	18-1/2" x 25" x 16"	10-1/2"	12-1/2"	85 lbs.	9
	<b>9-OP-48DF</b>	20" x 28" x 12"	22-1/2" x 33" x 16"	12-1/2"	16-1/2"	110 lbs.	15

## MOP SINK ACCESSORIES

### 16" High Side & Back Splashes for 9-OP Series Mop Sinks Splashes on All 3 Sides

Model #	Fits Units:	Model #	Fits Units:
<b>K-298</b>	9-OP-20 9-OP-40	<b>K-298D</b>	9-OP-40DF
<b>K-299</b>	9-OP-28 9-OP-48	<b>K-299D</b>	9-OP-48DF
<b>K-300</b>	9-OP-44	-	-

### Splash on Left or Right & Back

Model #	Fits Units:	Model #	Fits Units:
<b>K-288LorR</b>	9-OP-20 9-OP-40	<b>K-288LDorRD</b>	9-OP-40DF
<b>K-290LorR</b>	9-OP-28 9-OP-48	<b>K-290LDorRD</b>	9-OP-48DF
<b>K-291LorR</b>	9-OP-44	-	-



Left & Right Splashes Shown

- K-16** Replacement drain for floor mop sinks
- K-240** Service Faucet\*
- K-242** 23" wide mop hanger
- K-243** Stainless steel mop drainage tray
- K-244** Hose and hanger
- K-245** 8" x 24" utility shelf
- K-246** 8" x 36" utility shelf



**K-243**



**K-240**



**K-245**



**K-242**



**K-16**



**K-244**

\*Does not meet Federal Lead Free Standards as it is not intended for potable water.

Customer Service Available To Assist You **1-800-645-3166** 8:30 am - 7:00 pm E.S.T.

For Orders & Customer Service:

Email: customer@advancetabco.com or Fax: 631-242-6900

For Smart Fabrication™ Quotes:

Email: smartfab@advancetabco.com or Fax: 631-586-2933

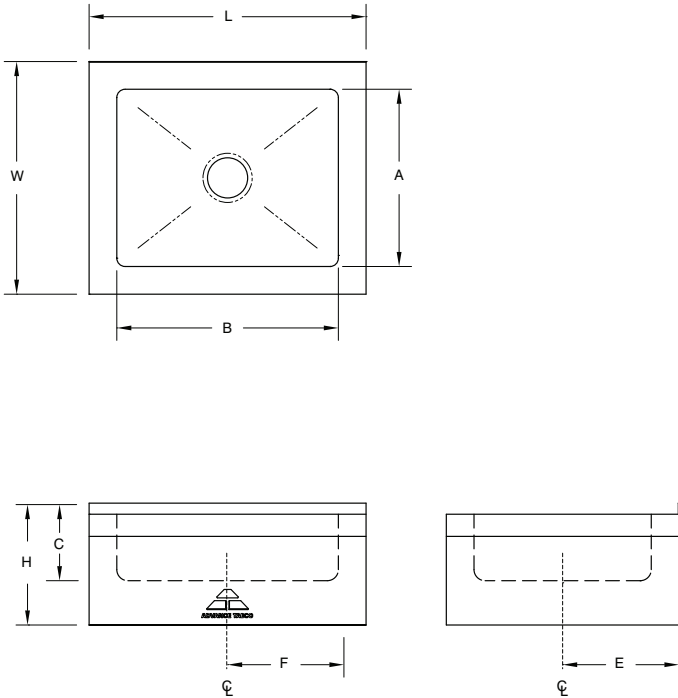


# DIMENSIONS and SPECIFICATIONS

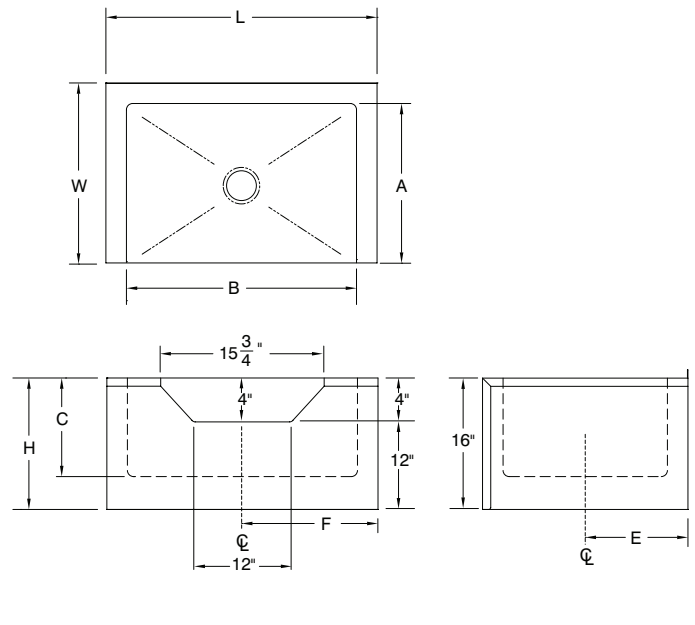
TOL Overall:  $\pm .500''$   
 Interior:  $\pm .250''$

ALL DIMENSIONS ARE TYPICAL

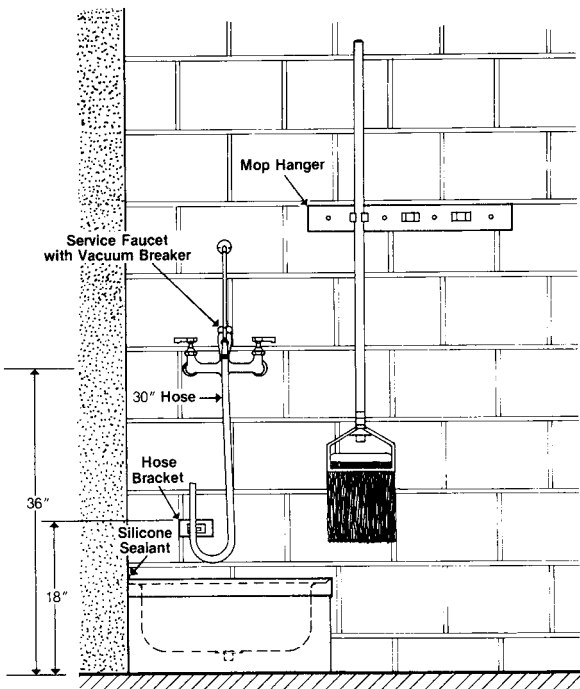
## STANDARD MOP SINK



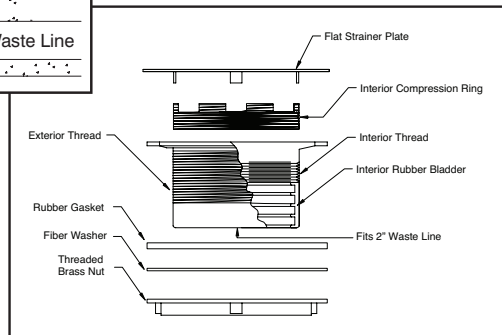
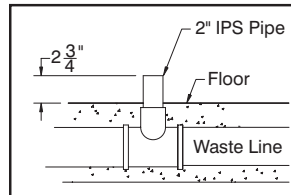
## DROP FRONT MOP SINK



## SUGGESTED INSTALLATION



## MOP SINK DRAIN ASSEMBLY



## K-243 MOP DRAINAGE TRAY

13 lbs.

