



DIRECT STEAM TRI-LEG KETTLE



MODEL	CAPACITY	
DL-20	20 Gallon	76 Liter
DL-30	30 Gallon	114 Liter
DL-40	40 Gallon	152 Liter
DL-60	60 Gallon	227 Liter
DL-80	80 Gallon	303 Liter
DL-100	100 Gallon	379 Liter

OPERATION SHALL BE BY:

Direct steam at a minimum of 5 PSI (34 kPa) and a maximum of 30 PSI (206 kPa).

OPTIONAL ITEMS AT EXTRA COST:

- 50 PSI (345kPa) high pressure operation for higher cooking temperature (HP-50)
- 3" (76 mm) draw-off valve (TVS-3) with perforated strainer (TPS-)
- Etched gallon markings (GM-)
- Etched litre markings (LM-)
- Single pantry faucet with swing spout (SF-18)
- Double pantry faucet with swing spout (DF-18)
- Two piece hinged stainless steel cover (2PHC-, 40 gallon & up)
- Triple basket assembly (TBA-)
- Steam trap assembly consisting of steam trap, steam control valve, check valve and line strainer (STA-1)
- Solid stainless steel disc for draw-off valve (TSS-)
- Strainer hook (SH)
- Graduated measuring strip (CMS-)
- Kettle heat shield (KHS-)

SPECIFICATIONS:

Shall be a Crown Model _____, direct steam connected tri-leg kettle. A double wall kettle interior shall form a steam jacket around the lower 2/3 of the kettle. The bottom of the kettle shall be of hemispherical design for superior heat circulation.

Unit shall be mounted on stainless steel tubular tri-legs. Each leg shall be fitted with a 4 hole, adjustable, flanged foot for securing to the floor.

Construction shall be all welded satin finish stainless steel, type 304. The liner shall be standard 316 for high acid content cooking.

Convenience features shall include 2" (50mm) sanitary draw-off valve with perforated strainer and a spring assist hinged counterbalanced stainless steel domed cover. Includes faucet bracket.

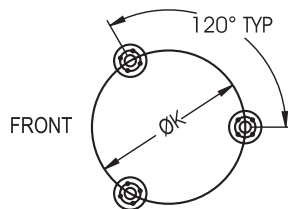
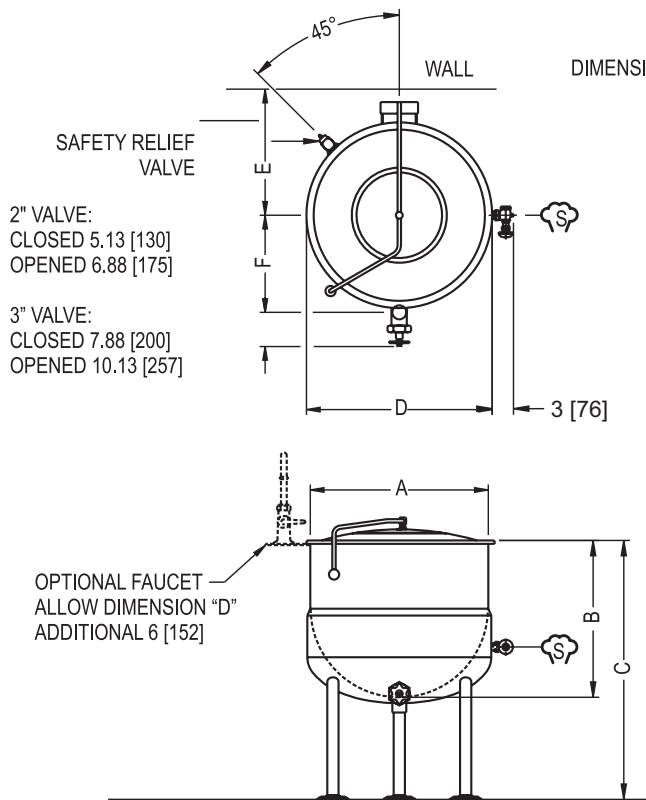
Job _____
Item# _____



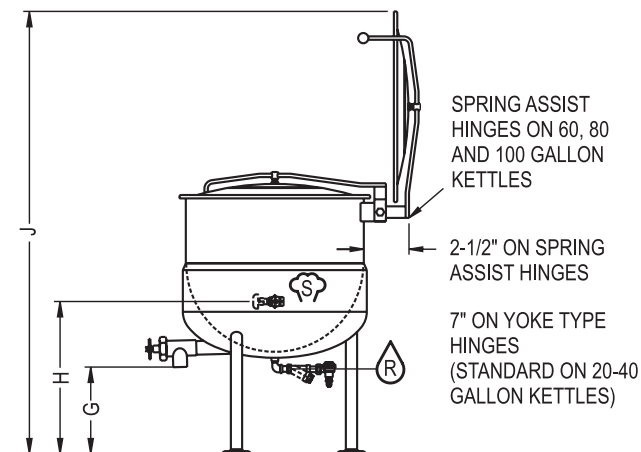
Models: DL-20 DL-30 DL-40 DL-60 DL-80 DL-100

MODEL	SHIPPING WEIGHT	MINIMUM CLEAR- ANCE	
DL-20	155 lbs. [70 kg]	SIDES	3 [76]
DL-30	180 lbs. [82 kg]		
DL-40	190 lbs. [86 kg]		
DL-60	265 lbs. [120 kg]	BACK	5 [13]
DL-80	308 lbs. [140 kg]		
DL-100	360 lbs. [163 kg]		

DIMENSIONS ARE IN INCHES [MM].



FLANGED FOOT DETAIL
4 EQUALLY SPACED
Ø7/16" [11mm] HOLES
ON 3 [76] B.C.



DIMENSIONS

MODEL	CAPACITY	UNITS	A	B	C	D	E	F(2")	F(3")	G(2")	G(3")	H	J	K
DL-20	20 gallons (76 liters)	in (mm)	21" (533)	18" (457)	37" (940)	22.75" (578)	13.75" (349)	14.25" (362)	14.38" (365)	17" (432)	16.5" (419)	25.75" (654)	59.75" (1518)	17.5" (445)
DL-30	30 gallons (114 liters)	in (mm)	24" (610)	20" (508)	37" (940)	25.88" (657)	15.25" (387)	15.38" (391)	16.38" (416)	15" (381)	14.5" (368)	26.25" (667)	62.88" (1597)	20.5" (521)
DL-40	40 gallons (152 liters)	in (mm)	26" (660)	22.5" (572)	37" (940)	27.88" (708)	16.38" (416)	16.13" (410)	17.38" (441)	12.5" (305)	12" (305)	23.75" (603)	64.88" (1648)	22.5" (572)
DL-60	60 gallons (227 liters)	in (mm)	29.5" (749)	26" (660)	40.5" (1029)	31.38" (822)	18.13" (460)	17.63" (448)	19.13" (486)	12.5" (305)	12" (305)	24.63" (625)	72.88" (1851)	25.75" (654)
DL-80	80 gallons (303 liters)	in (mm)	33" (838)	28" (711)	40.5" (1029)	34.75" (883)	19.88" (505)	19.38" (492)	19.13" (486)	12.5" (305)	10" (254)	25.75" (654)	75.25" (1911)	29.25" (743)
DL-100	100 gallons (379 liters)	in (mm)	35.5" (902)	30" (762)	44.5" (1130)	37.25" (946)	21.13" (537)	20.13" (511)	19.13" (486)	12.5" (305)	12" (305)	26.5" (673)	81.75" (2076)	31.75" (806)

SERVICE CONNECTIONS

- ☁ - STEAM SUPPLY: 3/4" IPS (19 mm) 5-30 PSI (34-206 kPa). Optional 5-45 PSI (34-310 kPa).
- Ⓡ - CONDENSATE RETURN: 1/2" IPS (13 mm)

**INTENDED FOR COMMERCIAL USE ONLY.
NOT FOR HOUSEHOLD USE.**



70 Oakdale Road, Toronto ON, Canada M3N 1V9
(919) 762-1000 www.crownsteamgroup.com