



DIRECT STEAM FULL TRI-LEG KETTLE



MODEL	CAPACITY	
DL-20F	20 Gallon	76 Liter
DL-30F	30 Gallon	114 Liter
DL-40F	40 Gallon	152 Liter
DL-60F	60 Gallon	227 Liter

OPERATION SHALL BE BY:

Direct steam at a minimum of 5 PSI (34 kPa) and a maximum of 35 PSI (241 kPa).

OPTIONAL ITEMS AT EXTRA COST:

- 50 PSI (345kPa) high pressure operation for higher cooking temperature (HP-50)
- 3" (76 mm) draw-off valve with perforated strainer (TPS-)
- Triple basket assembly (TBA-)
- Steam trap assembly consisting of steam trap, steam control valve, check valve and line strainer (STA-1)
- Solid stainless steel disc for draw-off valve (TSS-)
- Strainer hook (SH)
- Graduated measuring strip (CMS-)
- Kettle heat shield (KHS-)

SPECIFICATIONS:

Shall be a Crown model _____, direct steam connected tri-leg kettle. A double wall kettle interior shall form a steam jacket around the lower 2/3 of the kettle. The bottom of the kettle shall be of hemispherical design for superior heat circulation.

Unit shall be mounted on stainless steel tubular tri-legs. Each leg shall be fitted with a 4 hole, adjustable, flanged foot for securing to the floor.

Construction shall be all welded satin finish stainless steel, type 304. The interior liner shall be standard type 316 stainless steel for high acid content cooking. Faucet bracket standard.

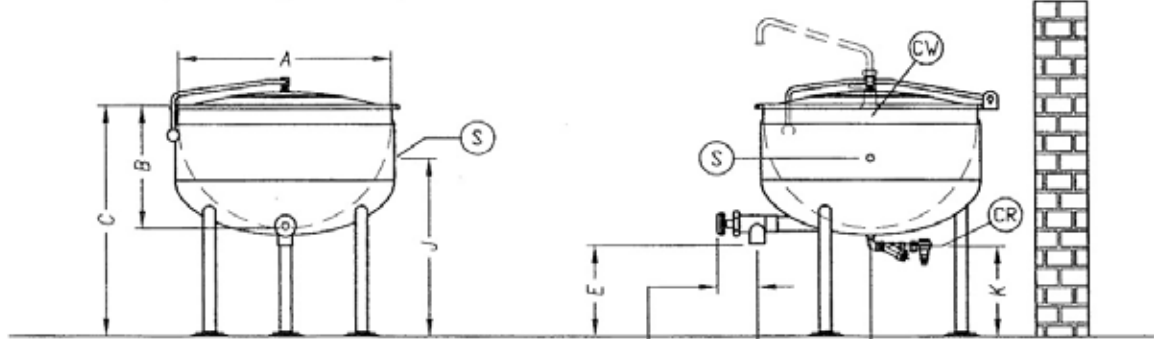
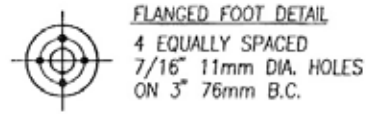
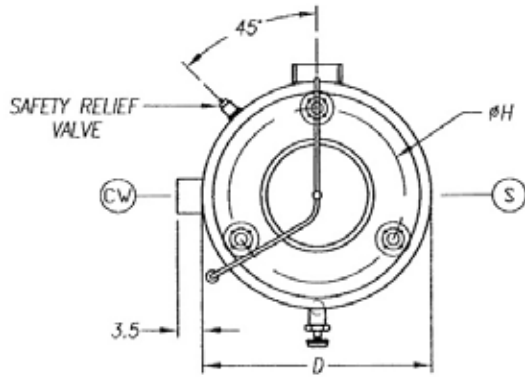
Convenience features shall include a spring assist hinged stainless steel cover and a 2" (50mm) sanitary draw-off valve with perforated strainer

Job _____
Item# _____



Models: DL-20F DL-30F DL-40F DL-60F

MODEL	SHIPPING WEIGHT	MINIMUM CLEAR-ANCE	
		SIDES	BACK
DL-20F	175 lbs. [79 kg]	3 [76]	.5 [13]
DL-30F	240 lbs. [109 kg]		
DL-40F	280 lbs. [127 kg]		
DL-60F	320 lbs. [145 kg]		



NOTE:
DIMENSIONS E AND F ARE BASED ON
2" DRAW-OFF VALVE.

CLOSED 5.5"(140mm)
OPENED 7.5"(191mm)
BASED ON 2" TANGENT DRAW-OFF

DIMENSIONS

MODEL	CAPACITY	UNITS	A	B	C	D	E	F	G	H	J	K	L
DL-20F	20 gallons (76 liters)	in (mm)	26" (660)	15.75" (400)	37" (940)	27.5" (699)	19" (483)	14.25" (362)	16" (406)	22.88" (581)	30.63" (1518)	18.75" (476)	64.5" (1638)
DL-30F	30 gallons (114 liters)	in (mm)	29" (749)	17.5" (445)	37" (940)	31" (787)	17.25" (438)	16" (406)	17.75" (451)	25" (635)	29.69" (754)	17" (432)	68" (1727)
DL-40F	40 gallons (152 liters)	in (mm)	33" (838)	19.25" (489)	37" (940)	34.50" (876)	15.5" (394)	18" (457)	19.5" (495)	29.88" (759)	29.13" (740)	15.25" (387)	71.5" (1816)
DL-60F	60 gallons (227 liters)	in (mm)	35.5" (902)	20.5" (521)	40.5" (1029)	37" (940)	17.75" (451)	17.5" (445)	20.75" (527)	32.38" (827)	32.13" (1851)	17.5" (445)	77.5" (1969)

SERVICE CONNECTIONS

- STEAM SUPPLY: 3/4" IPS (19 mm) 5-30 psi (34-205 kpa). Optional 5-45 psi (34-310 kpa).

- CONDENSATE RETURN: 1/2" IPS (13 mm)

**INTENDED FOR COMMERCIAL USE ONLY.
NOT FOR HOUSEHOLD USE.**



70 Oakdale Road, Toronto ON, Canada M3N 1V9
(919) 762-1000 www.crownsteamgroup.com