



Profit from the Eagle Advantage®

Specification Sheet

Short Form Specifications

Eagle Plate Display Shelving. Reverse mat black epoxy wire shelf (model PDS1827BL) comes with one pair of truss rails and one pair of truss assemblies. Shelf features a 1" ledge on all sides. Note: Posts sold separately.



four plate display shelves and posts shown assembled

Options / Accessories

- Dividers
- Hooks

Item No.:	_____
Project No.:	_____
S.I.S. No.:	_____

Plate Display Shelving

MODELS:

- PDS1872BL
- P33-BL
- P54-BL
- P63-BL
- P74-BL
- P86-BL

Design and Construction Features

- Assembly is a simple two-step exercise:
 - 1) Snap the split sleeves onto a numbered post (sold separately) over the number of your choice;
 - 2) Slide a shelf collar or rail collar over the split sleeves. A positive lock between collar and post is created without the use of any tools.
- Open-wire construction promotes higher visibility, allows light to pass through the shelves, permits greater air circulation which helps reduce moisture and dust build-up, and increases the effectiveness of fire-suppression systems.
- Tapered split sleeves, made of high-temperature-resistant ABS plastic, create a positive lock that becomes stronger as the load increases.
- 18" x 72" (457 x 1829mm) reverse mat wire shelves feature built-in 1" (25mm)-high ledges on all four sides.
- Pair of end-to-end truss rails and front-to-back truss assemblies come with each reverse mat shelf.
- Truss rails, attached to truss assemblies that connect to front and rear posts, support top of displayed plates while bottom of plates rest behind front ledges of wire shelves.
- Posts available in heights ranging from 33" to 86" (838 to 2184mm).
- Black epoxy finish is applied to wire shelves, truss rails, and truss assemblies.

EAGLE GROUP
 100 Industrial Boulevard, Clayton, DE 19938-8903 USA
 Phone: 302-653-3000 • Fax: 302-653-2065
 www.eaglegrp.com

Foodservice Division: Phone 800-441-8440
MHC/Retail Display Divisions: Phone 800-637-5100

For custom configuration or fabrication needs, contact our **SpecFAB® Division**.
 Phone: 302-653-3000 • Fax: 302-653-3091 • e-mail: specfab@eaglegrp.com



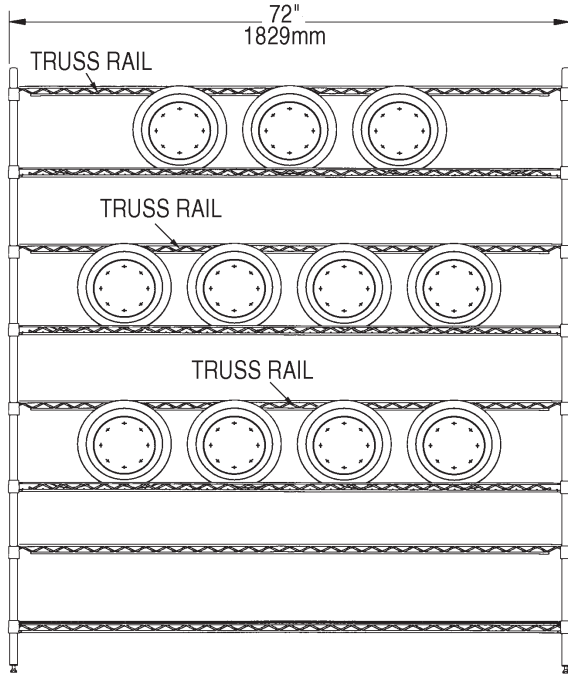
EG01.37 Rev. 09/08

Spec sheets available for viewing, printing or downloading from our online literature library at www.eaglegrp.com

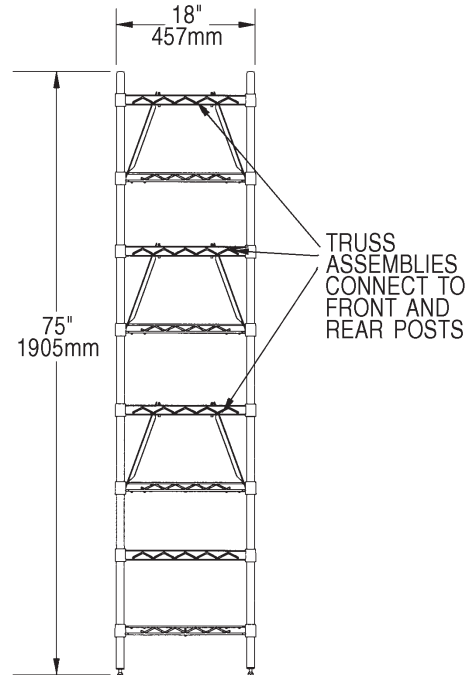


Item No.: _____
 Project No.: _____
 S.I.S. No.: _____

Plate Display Shelving



FRONT VIEW



SIDE VIEW

(Note: Plate display shelves shown with posts in assembled unit)

Reverse Mat Shelf for Plate Display Shelving

Black epoxy finish. Each shelf comes with one pair of end-to-end truss rails and one pair of front-to-back truss assemblies.

model #	width		length		weight	
	in.	mm	in.	mm	lbs.	kg
PDS1872BL	18"	457	72"	1829	30	13.6

Posts for Plate Display Shelving

Black epoxy finish. Posts are numbered in increments of 1" (25mm) to ensure fast and level assembly. Leveling feet are included to help compensate for uneven floor surfaces.

model #	post height		weight	
	in.	mm	lbs.	kg
P33-BL	33"	838	2.0	0.9
P54-BL	54"	1372	3.0	1.4
P63-BL	63"	1600	3.5	1.8
P74-BL	74"	1880	4.0	1.8
P86-BL	86"	2184	5.0	2.3

Shelves and posts sold separately.

EAGLE GROUP

100 Industrial Boulevard, Clayton, DE 19938-8903 USA

Phone: 302-653-3000 • Fax: 302-653-2065

www.eaglegrp.com

Foodservice Division: Phone 800-441-8440

MHC/Retail Display Divisions: Phone 800-637-5100

Printed in U.S.A.
 ©2008 by Eagle Group

Rev. 09/08

Spec sheets available for viewing, printing or downloading from our online literature library at www.eaglegrp.com

Although every attempt has been made to ensure the accuracy of the information provided, we cannot be held responsible for typographical or printing errors. Information and specifications are subject to change without notice. Please confirm at time of order.