



STAINLESS STEEL  
**HAND SINKS**  
**12" WIDE SPACE-SAVER UNITS**  
 Conforms To NSF 61/9 Lead Free Requirements



7-PS-22



7-PS-23



7-PS-53

*WITH SOAP & TOWEL DISPENSERS*



7-PS-84



7-PS-83



7-PS-73

Item #:	Qty #:
Model #:	
Project #:	

**FEATURES:**

One piece 9" x 9" x 5" **Deep Drawn** sink bowl design.  
 All sink bowls have a large liberal radii with a minimum dimension of 1" and are square in design.  
 2" stainless steel drain with strainer plate.  
 Units with towel dispensers use standard C-fold towels.

**Specific Features:**

- 7-PS-22** - 4" O.C. K-22 deck mounted faucet with aerator.
- 7-PS-83** - 4" O.C. K-22 deck mounted faucet with aerator. Liquid soap & towel dispenser with hinged towel box.
- 7-PS-23** - 4" O.C. K-123 splash mounted faucet with aerator.
- 7-PS-84** - 4" O.C. K-123 splash mounted faucet with aerator. Liquid soap & towel dispenser with hinged towel box.
- 7-PS-53** - 4" O.C. K-175 splash mounted electronic faucet with aerator.
- 7-PS-73** - 4" O.C. K-123 splash mounted faucet with aerator. Liquid soap & towel dispenser with hinged towel box.
- 7 3/4" high Side Splashes (from top of deck).

**CONSTRUCTION:**

All TIG welded.  
 Welded areas blended to match adjacent surfaces and to a satin finish.  
 Die formed Countertop Edge with a No-Drip offset.  
 One sheet of stainless steel - No Seams.

**MATERIAL:**

Heavy gauge type 304 series stainless steel.  
 Wall mounting bracket is stainless steel and of offset design.  
 All fittings are brass / chrome plated unless otherwise indicated.

**MECHANICAL:**

Faucet supply is 1/2" IPS male thread hot and cold.  
**Faucet Flow Rate:** 1.0 GPM/3.8 LPM aerator. 60 PSI.  
 Drains are 1-1/2" IPS.

**⚠ WARNING:**

Equipment that includes a faucet may expose you to chemicals, including lead, that are known to the State of California to cause cancer or birth defects or other reproductive harm. For more Info., visit [www.p65warnings.ca.gov](http://www.p65warnings.ca.gov).



**Customer Service Available To Assist You 1-800-645-3166 8:30 am - 7:00 pm E.S.T.**

For Orders & Customer Service:

Email: [customer@advancetabco.com](mailto:customer@advancetabco.com) or Fax: 631-242-6900

For Smart Fabrication™ Quotes:

Email: [smartfab@advancetabco.com](mailto:smartfab@advancetabco.com) or Fax: 631-586-2933

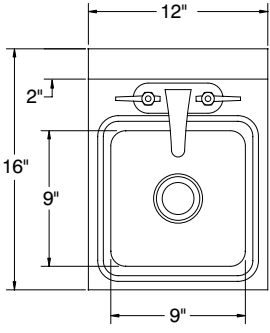
# DIMENSIONS and SPECIFICATIONS

TOL Overall: ± .500" Interior: ± .250"

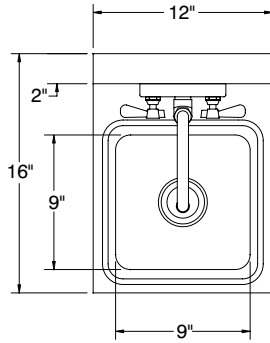
FITTINGS SUPPLIED AS SHOWN

ALL DIMENSIONS ARE TYPICAL

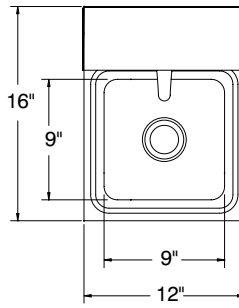
TOP VIEW FOR 7-PS-22



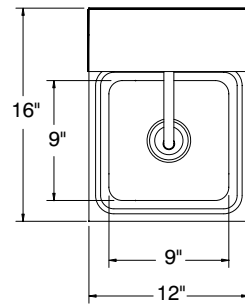
TOP VIEW FOR 7-PS-23



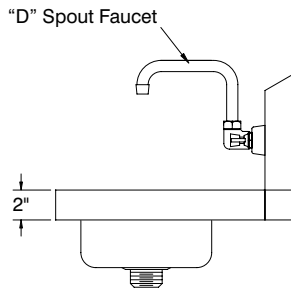
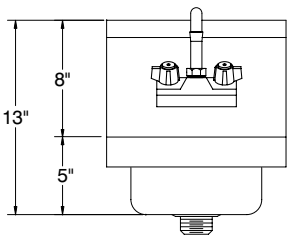
TOP VIEW FOR 7-PS-83



TOP VIEW FOR 7-PS-73 & 7-PS-84

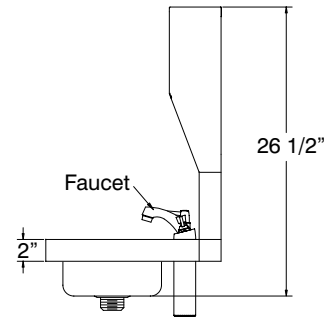
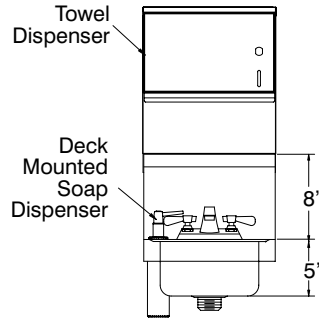


7-PS-23



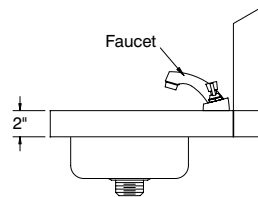
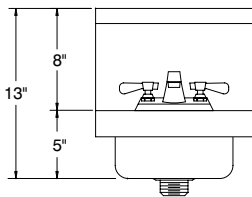
12 lbs.

7-PS-83



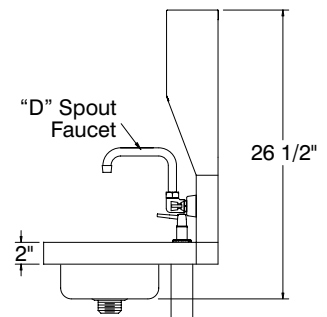
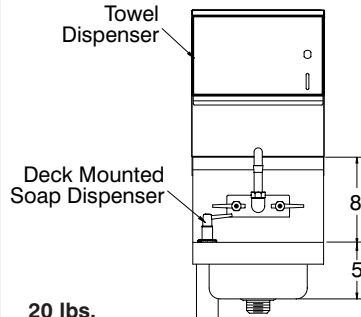
20 lbs.

7-PS-22



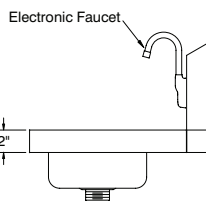
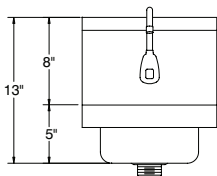
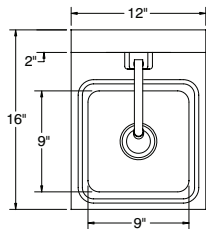
12 lbs.

7-PS-84



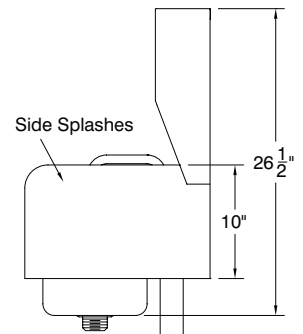
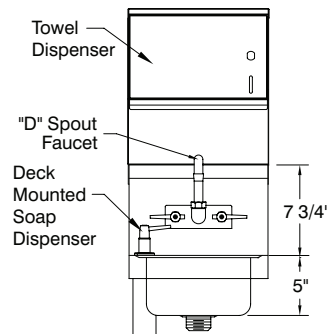
20 lbs.

7-PS-53



12 lbs.

7-PS-73



31 lbs.

