



4184 E. Conant St.
 Long Beach, CA 90808
 Tel. 800-500-3519
 Fax. 310-900-1066
 www.turboairinc.com

Project :	
Model # :	
Item # :	Qty :
Available W/H :	
Approval :	

Compartment Sinks (No Drain Board)

HIGH QUALITY 304 STAINLESS STEEL

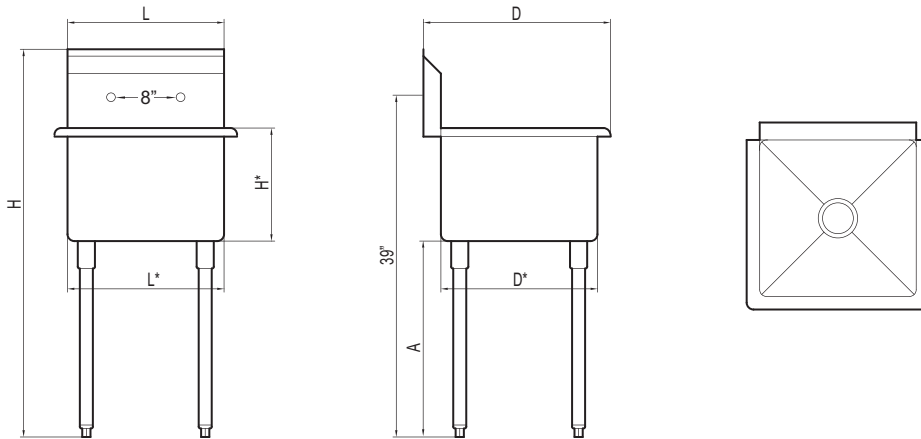
**Model : TSA-1MOP
 TSA-1-N / TSB-1-N / TSC-1-N**

≡ FEATURES & BENEFITS ≡

- Entire assembly is fused, shielded and polished providing a one-piece seamless sink unit
- Welded areas are high-speed belt blended to match adjacent surfaces with the continuity of a satin finish
- All sink compartments are covered on a full 5/8" radius and constructed using state of the art seamless welding techniques
- Die-stamped creased drain boards for positive drainage
- Swirl away bowl drainage
- Galvanized legs and gussets are standard on all models
- Our strainers are built with brass nuts instead of aluminum (standard)
- Adjustable ABS bullet feet
- Crating service available
- Stainless steel legs available (optional)



* Faucet sold separately



(unit : inch)

Model	Ga.	Bowl Size (L* x D* x H*)	Length	Depth	Height	Leg(A)	# of Faucet Accepted	Net Weight* (lbs.)
TSA-1MOP	18	18 x 18 x 13	21	21 1/2	44 1/2	22 1/2	1	30
TSA-1-N	18	18 x 18 x 13	21	21 1/2	44 1/2	22 1/2	1	30
TSB-1-N	16	24 x 24 x 14	27	27 1/2	44 1/2	19 1/2	1	51
TSC-1-N	18	18 x 21 x 14	21	24 1/2	44 1/2	19 1/2	1	43

Ver.20200922

Information and specifications are subject to change without notice.

* All net weights are approximated. Crafting fee will be added for shipping via common carriers (Please confirm at the time of the purchase).

