



Profit from the Eagle Advantage®

Specification Sheet

Short Form Specifications

Eagle Trimming Table, model _____. Top to be all-welded 1½" square stainless steel tubular frame. 4" high removable backplash; 12" stainless steel deck, removable for cleaning; and ½" thick removable polymer top. Unit to conform to USDA and NSF requirements. 1½" O.D. stainless steel tubular legs with stainless steel crossrails and adjustable bullet feet.



trimming table

Options / Accessories

- Casters*
- Stainless steel bullet feet
- Undershelf **
- All-welded construction ***
- Boat rack
- Drawer assemblies**** / Drawer support angles ****

* For optional 4" resilient-tread casters, add suffix "-CA". Example: TB3072S-CA
For optional 5" resilient-tread casters, add suffix "-CAH". Example: TB3072S-CAH

** For optional stainless steel undershelf, add suffix "-US". Example: TB3072S-US

*** For optional all-welded construction, add suffix "-AW". Example: TB2436S-AW

**** See spec sheet #EG10.13 for Drawer Assemblies available.

For optional Drawer Assemblies, Drawer Support Angles are required:

- For 30"-wide tables with backplash, order model #609539 drawer supports.

- For 36"-wide tables with backplash, order model #609543 drawer supports.

EAGLE GROUP

100 Industrial Boulevard, Clayton, DE 19938-8903 USA

Phone: 302-653-3000 • Fax: 302-653-2065

www.eaglegrp.com

Foodservice Division: Phone 800-441-8440

MHC/Retail Display Divisions: Phone 800-637-5100

For custom configuration or fabrication needs, contact our SpecFAB Division.

Phone: 302-653-3000 • Fax: 302-653-2065 • e-mail: quotes@eaglegrp.com

Item No.: _____
 Project No.: _____
 S.I.S. No.: _____

Trimming Tables

MODELS:

- | | |
|-----------------------------------|-----------------------------------|
| <input type="checkbox"/> TB3036S | <input type="checkbox"/> TB3636S |
| <input type="checkbox"/> TB3048S | <input type="checkbox"/> TB3648S |
| <input type="checkbox"/> TB3060S | <input type="checkbox"/> TB3660S |
| <input type="checkbox"/> TB3072S | <input type="checkbox"/> TB3672S |
| <input type="checkbox"/> TB3084S | <input type="checkbox"/> TB3684S |
| <input type="checkbox"/> TB3096S | <input type="checkbox"/> TB3696S |
| <input type="checkbox"/> TB30108S | <input type="checkbox"/> TB36108S |
| <input type="checkbox"/> TB30120S | <input type="checkbox"/> TB36120S |

Tabletop

- 12" (305mm) removable stainless steel deck.
- ½" (13mm)-thick removable poly top.
- 4" (102mm)-high removable stainless steel backplash.

Crossbracing

- Heavy gauge stainless steel.
- 1¼" (32mm)-diameter.
- Adjustable.
- Runs left-to-right and front-to-back.

Legs

- Heavy gauge stainless steel.
- 1½" (41mm)-diameter.
- Adjustable metal feet.

Certifications / Approvals

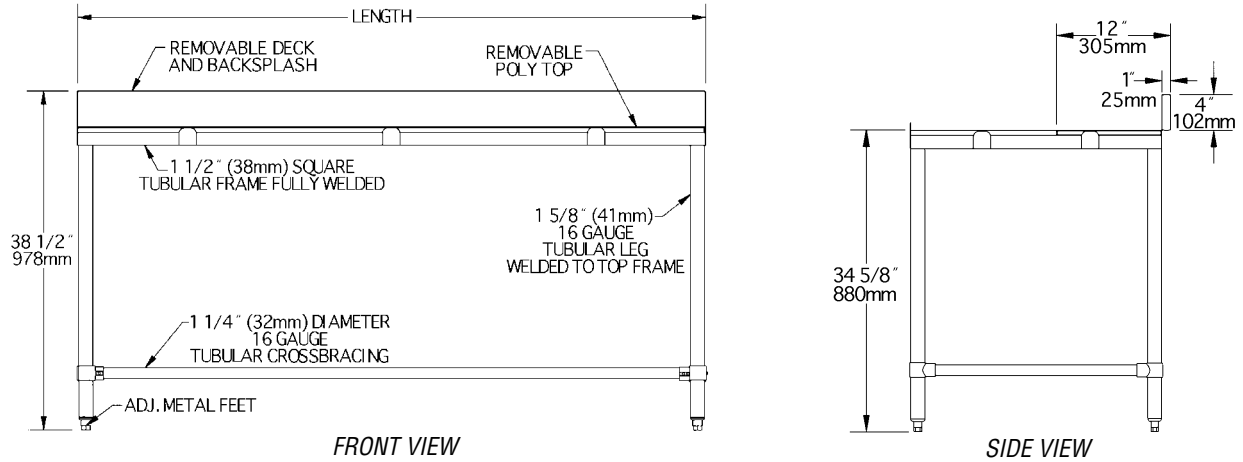


Spec sheets available for viewing, printing or downloading from our online literature library at www.eaglegrp.com



Item No.: _____
 Project No.: _____
 S.I.S. No.: _____

Trimming Tables



model #	number of polyboards per table	width		length		weight	
		in.	mm	in.	mm	lbs.	kg
TB3036S	1	30"	762	36"	914	120	54.4
TB3048S	2	30"	762	48"	1219	142	64.4
TB3060S	2	30"	762	60"	1524	164	74.4
TB3072S	2	30"	762	72"	1829	188	85.3
TB3084S	3	30"	762	84"	2134	210	95.3
TB3096S	3	30"	762	96"	2438	232	103.4
TB30108S	4	30"	762	108"	2743	254	104.3
TB30120S	4	30"	762	120"	3048	266	113.4
TB3636S	1	36"	914	36"	914	126	54.4
TB3648S	2	36"	914	48"	1219	148	64.9
TB3660S	2	36"	914	60"	1524	170	65.8
TB3672S	2	36"	914	72"	1829	192	77.1
TB3684S	3	36"	914	84"	2134	214	86.2
TB3696S	3	36"	914	96"	2438	236	102.1
TB36108S	4	36"	914	108"	2743	258	106.6
TB36120S	4	36"	914	120"	3048	280	115.7

EAGLE GROUP
 100 Industrial Boulevard, Clayton, DE 19938-8903 USA
 Phone: 302-653-3000 • Fax: 302-653-2065
 www.eaglegrp.com

Foodservice Division: Phone 800-441-8440
 MHC/Retail Display Divisions: Phone 800-637-5100

Printed in U.S.A.
 ©2017 by Eagle Group
 Rev. 01/17

Spec sheets available for viewing, printing or downloading from our online literature library at www.eaglegrp.com

Although every attempt has been made to ensure the accuracy of the information provided, we cannot be held responsible for typographical or printing errors. Information and specifications are subject to change without notice. Please confirm at time of order.