



Sleek Shields™

SELF-SERVE GLASS FOOD SHIELDS

For Advance Tabco Hot/Cold Tables

Protected By: Patent No. US 9,010,883 B2

Item #: _____ Qty #: _____
 Model #: _____
 Project #: _____



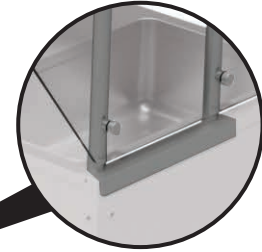
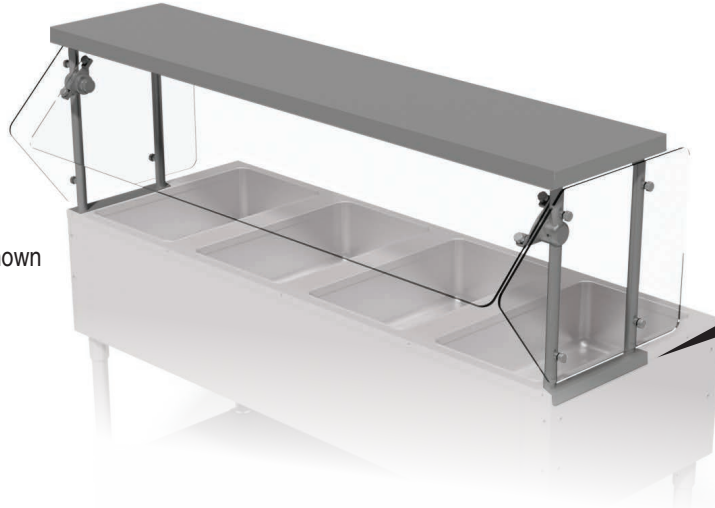
FEATURING ADVANCE TABCO'S REVOLUTIONARY
 CHAMBER LOCK™ ROTATION SYSTEM

Front Glass Locks Into Place At 15° Intervals

NSG-15-4WELL Shown



Meets Latest
 NSF Standards



Includes TA-47
 Mounting Brackets
 For In-Field Installation

FEATURES:

- Front glass locks in place at 15° intervals.
- Attractive, low profile design & easy to clean.
- 1" Stainless steel posts.
- Chamber lock™ is mounted to post in a fixed position.
- Includes two 16-3/8" high side panels.
- 1/4" Thick heat-tempered front & side glass.
- (3/8" Thick heat-tempered front glass for 4 well unit).

Includes:

- NSG Models** includes 15" wide stainless steel shelving.
- Shelves have square edges on all four sides.
- GSG Models** includes 3/8" heat-tempered glass top.
- Ships KD

MATERIAL:

- 1/4" Thick Heat-Tempered Front & Side Glass.
- (3/8" Thick Heat-Tempered Front Glass For 4 Well Unit).

NSG Models: Shelf - 18 Ga., Type 430 Stainless Steel with 1" Post - Stainless Steel.

GSG Models: Shelf - 3/8" Thick Heat-Tempered Top Glass.
 Chamber Lock™ - Anodized Aluminum.

TA-47 Mounting Brackets

Finish - Aluminum components manufactured with a standard Satin Clear Finish. Other colors available for Aluminum Components Only. Please consult factory for additional colors.

15" Wide Stainless Steel Shelf			15" Wide w/ Glass Top			Description	Approx. Wt.	Approx. Cubes
Model #	O.A. Size L x W x H	(A) Length	Model #	O.A. Size L x W x H	(A) Length			
NSG-15-2WELL	33 11/16" x 19 3/4" x 18 3/4"	31 13/16"	GSG-15-2WELL	33 11/16" x 19 3/4" x 18"	31 13/16"	Fits 2-Well Unit	109 lbs.	15
NSG-15-3WELL	49" x 19 3/4" x 18 3/4"	47 1/8"	GSG-15-3WELL	49" x 19 3/4" x 18"	47 1/8"	Fits 3-Well Unit	143 lbs.	22
NSG-15-4WELL*	64 5/16" x 19 3/4" x 18 3/4"	62 7/16"	GSG-15-4WELL*	64 5/16" x 19 3/4" x 18"	62 7/16"	Fits 4-Well Unit	186 lbs.	29
NSG-15-5WELL**	79 5/8" x 19 3/4" x 18 3/4"	77 3/4"	Not Available	-	-	Fits 5-Well Unit	215 lbs.	38
NSG-15-6WELL**	94 15/16" x 19 3/4" x 18 3/4"	93 1/16"	Not Available	-	-	Fits 6-Well Unit	247 lbs.	47

*3/8" Thick Heat-Tempered Glass Required For Front Glass **Requires a Single Center Post (Factory Print Included)

NOTE: Due to mounting requirements, food shields extend 15/16" beyond the end of the hot or cold food table on each end. Units set side by side must allow for this additional space.



Customer Service Available To Assist You 1-800-645-3166 8:30 am - 7:00 pm E.S.T.

For Orders & Customer Service:
 Email: customer@advancetabco.com or Fax: 631-242-6900

For Smart Fabrication™ Quotes:
 Email: smartfab@advancetabco.com or Fax: 631-586-2933

DIMENSIONS and SPECIFICATIONS

TOL ± .125"

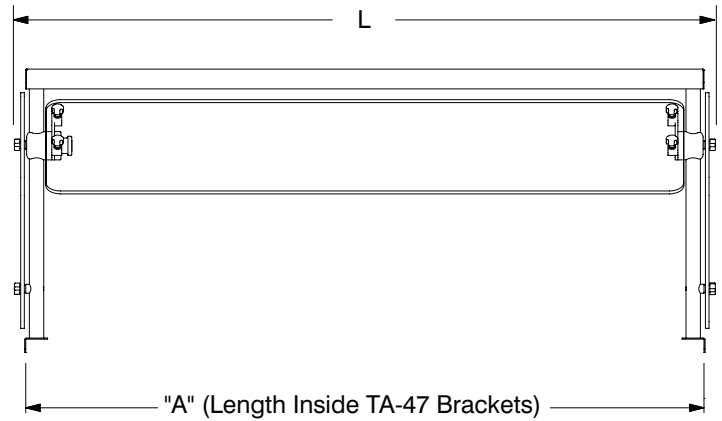
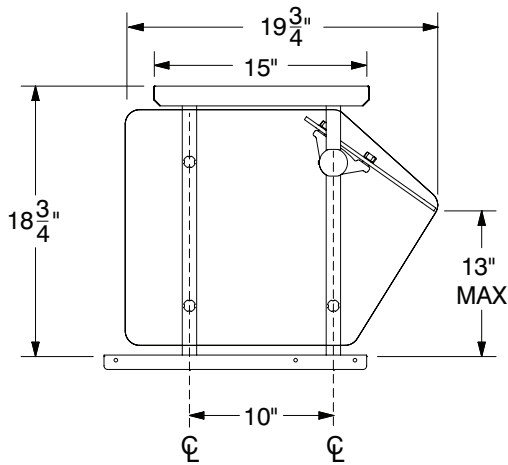
ALL DIMENSIONS ARE TYPICAL

Maximum Front Glass Opening is 13" From Table To Bottom Of Glass. NSF Requires Side Glass To Be 18" Wide Minimum.

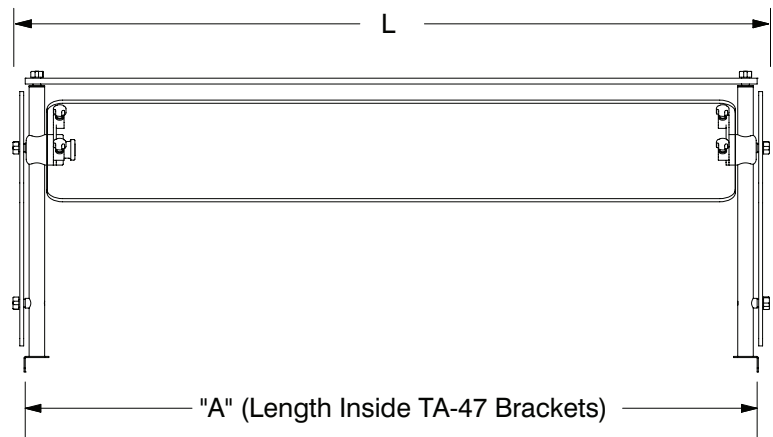
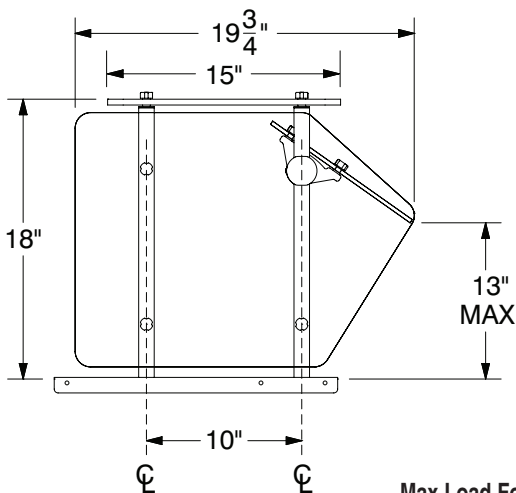
NOTE: Due to mounting requirements, food shields extend 15/16" beyond the end of the hot or cold food table on each end.

Units set side by side must allow for this additional space.

NSG SERIES



GSG SERIES



Max Load For Top Glass Is 100 lbs. Even Distributed Weight

Single Post w/ Cantilever Bracket Available

- Can not replace standard end posts/brackets
- May be used to eliminate a post located in the middle of the unit

SG-C

