

Specifications

Description

Adcraft's stainless steel airpot and thermal server coffee brewers will brew up to 3.8 gallons of hot coffee per hour. Constructed with a stainless steel tank and body that gives them a great commercial look and makes them easy to clean. Brew directly into the airpots and thermal servers quickly with just a simple push of a button. The black plastic funnel and non-slip base provide for a safe and accurate pour every-time. 120V, 1450W, 12 Amps. NEMA 5-15 plug. Airpots and servers sold separately. They are backed by Adcraft's 1 year warranty.

Construction

- All stainless steel construction
- Stainless steel tank holds up to 2.2 liters of water
- Direct feed hook up for non-stop flow of coffee (water line required)
- Non-slip base and guides for safe and accurate filling
- Non-slip rubber feet for stability

Operation

- Easy to use push button brewing allows for continuous flow of coffee
- Lighted on/off power switch
- Indicator lights let you know when the unit is filling and ready to pour
- UB-289 fits airpots up to 14" tall
- UB-286 fits carafes and servers up to 10" tall

Electrical

- 120V, 1450W, 12 Amps
- 4' power cord with a NEMA 5-15 plug

Accessories (Sold Separately)

Stainless Steel Airpots

- APL-19 - 1.9L s/s airpot
- APL-22 - 2.2L s/s airpot
- APL-25 - 2.5L s/s airpot
- APL-30 - 3L s/s airpot

Stainless Steel Servers

- SLVF-750 - 750ML s/s server
- SLVF-1000 - 1000ML s/s server
- SLVF-1500 - 1500ML s/s server

For a full list of all Adcraft airpots and thermal servers visit our website at <http://admiralcraft.com/product-category/smallwares/tabletop/beverage-dispensers/>

Coffee Brewers - Airpots/Servers Direct Feed

Models:

- UB-286 - Thermal Servers
- UB-289 - Airpots



UB-286



UB-289

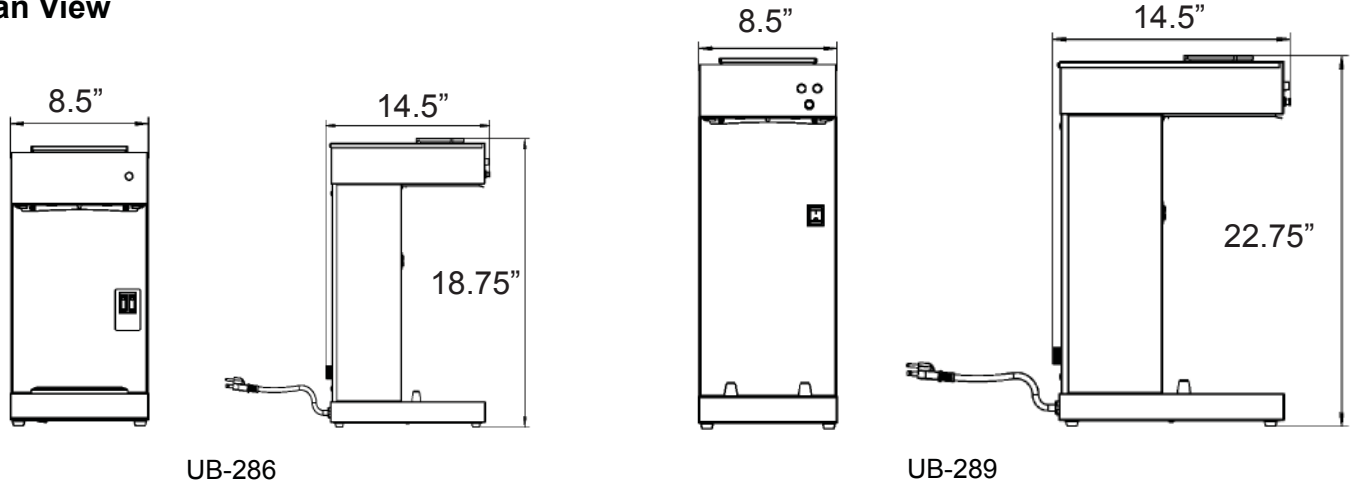
Warranty: This product is protected by Admiral Craft Equipment Corporation's one year limited warranty. Should your product fail under normal use it will be repaired or replaced up to one year from date of purchase.





Date: _____
 Item No.: _____
 Project No.: _____

Coffee Brewers - Direct Feed, Airpots and Servers UB-286 and UB-289

Plan View



Specifications

Item Number	Item Dimensions	Volts	Wattage	Amps	NEMA Plug
UB-286	8.5"W x 14.5"D x 18.75"H	120V	1450W	12	5-15P 
UB-289	8.5"W x 14.5"D x 22.75"H	120V	1450W	12	5-15P 

Shipping Info

Item Number	Box Dimensions	Gross Weight	Net Weight
UB-286	11"W x 19"D x 21.5"H	24 lbs	21 lbs
UB-289	11"W x 19"D x 25"H	25 lbs	22 lbs

For more information about this or any of our other products go to www.admiralcraft.com. These items are listed on AutoQuotes. For full explanation of warranty coverage on this product please refer to warranty page located in the owner's manual and warranty section at www.admiralcraft.com. Specifications subject to change without notice. Please confirm at time of order.