



STAINLESS STEEL
**MICROWAVE
SHELVES**



Wall Mounted

Model #	Size W x L	Approx. Wt.	Approx. Cu. Ft.
MS-18-24	18" x 24"	27 lbs.	5
MS-20-30	20" x 30"	36 lbs.	5
MS-24-24	24" x 24"	32 lbs.	5
MS-24-36	24" x 36"	38 lbs.	7

CONSTRUCTION:

All TIG welded.

Exposed surfaces polished to a satin finish.

MATERIAL:

18 gauge stainless steel.

OPTIONAL TABLE MOUNTED UNITS:

Mounted on tubular supports and fastened to the top with expanding tubular connectors.

Please use OTS Series Shelving and add TA-102 for 24" x 24" extension for table mounted version.

Item #: _____ Qty #: _____
 Model #: _____
 Project #: _____

FOR TABLE MOUNTED MICROWAVE SHELF:

Model #	
MST-24-24	
MST-24-36	

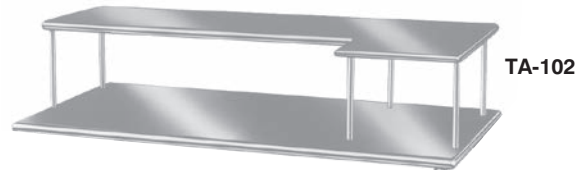


TABLE MOUNTED SHELF WITH MICROWAVE EXTENSION

Use **OTS Shelving** and add **TA-102** for Microwave 24" x 24" extension. Specify Right or Left.

OPTIONAL:

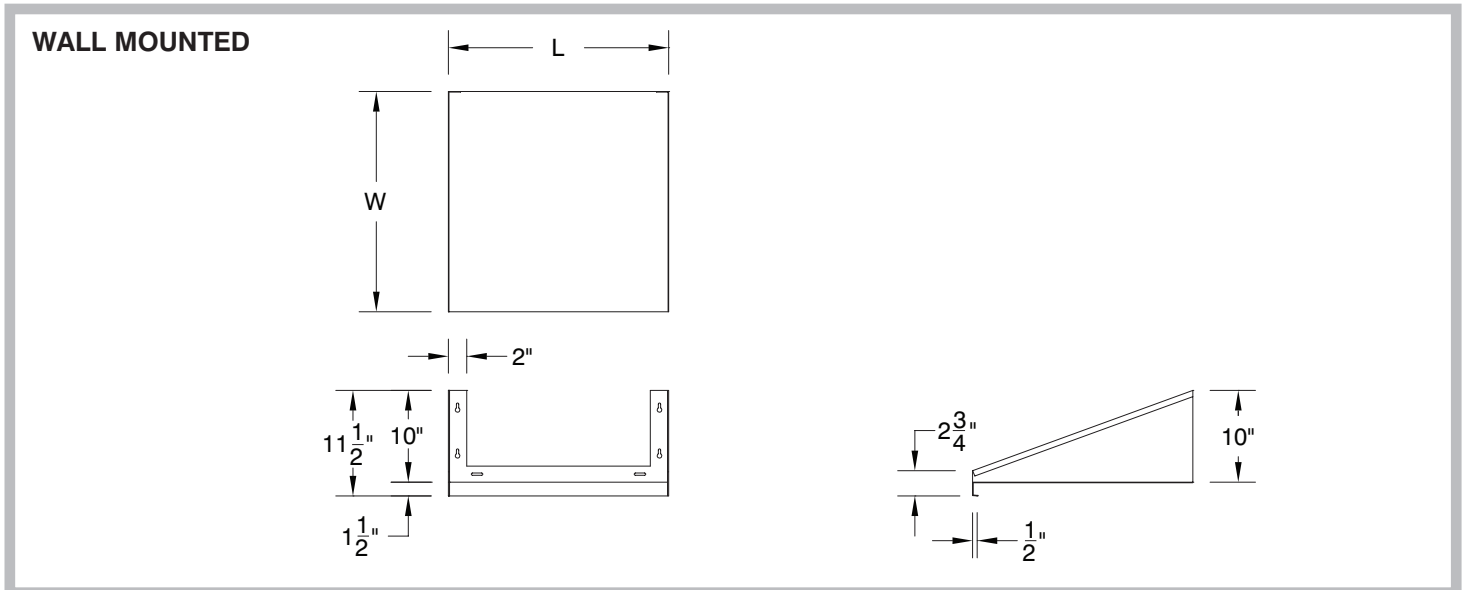
2" Hole with Grommet
For Appliance Cord
TA-108



DETAILS and SPECIFICATIONS

TOL ± .500"

ALL DIMENSIONS ARE TYPICAL



Customer Service Available To Assist You 1-800-645-3166 8:30 am - 8:00 pm E.S.T.

For Orders & Customer Service:

Email: customer@advancetabco.com or Fax: 631-242-6900

For Smart Fabrication™ Quotes:

Email: smartfab@advancetabco.com or Fax: 631-586-2933